

MITSUBISHI DIODE MODULES  
**RM500HA-M,-H,-24,-2H**

HIGH POWER GENERAL USE  
 INSULATED TYPE

RM500HA-M,-H,-24,-2H



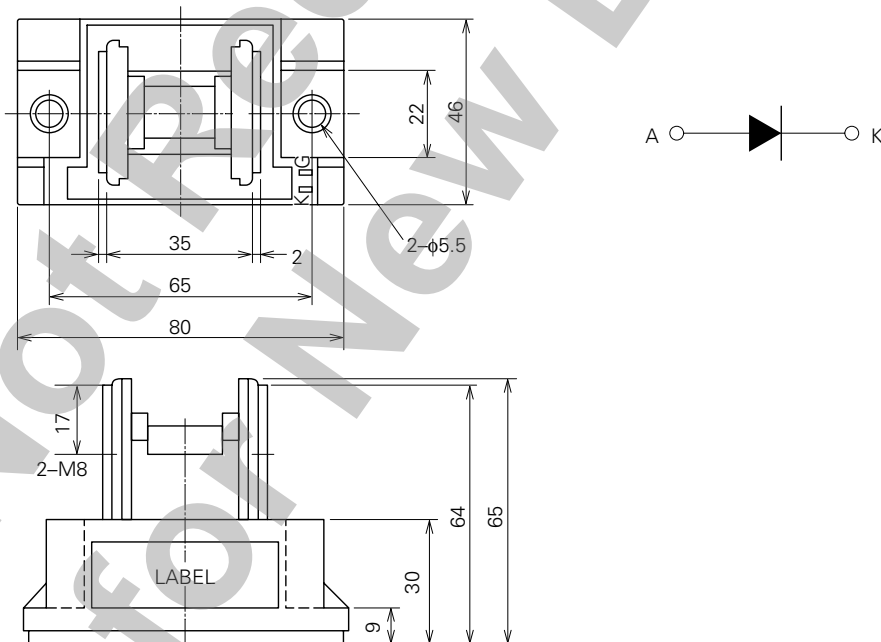
- **IF(AV)** Average forward current ..... **500A**
- **VRRM** Repetitive peak reverse voltage  
 ..... **400/800/1200/1600V**
- **ONE ARM**
- **Insulated Type**

**APPLICATION**

AC motor controllers, DC motor controllers, Battery DC power supplies,  
 DC power supplies for control panels, and other general DC power equipment

**OUTLINE DRAWING & CIRCUIT DIAGRAM**

Dimensions in mm



## RM500HA-M,-H,-24,-2H

HIGH POWER GENERAL USE  
INSULATED TYPE

## ABSOLUTE MAXIMUM RATINGS

Symbol	Parameter	Voltage class				Unit
		M	H	24	2H	
VRRM	Repetitive peak reverse voltage	400	800	1200	1600	V
VRSM	Non-repetitive peak reverse voltage	480	960	1350	1700	V
VR (DC)	Reverse DC voltage	320	640	960	1280	V

Symbol	Parameter	Conditions	Ratings	Unit
IF (RMS)	RMS forward current		785	A
IF (AV)	Average forward current	Single-phase, half-wave 180° conduction, Tc=90°C	500	A
IFSM	Surge (non-repetitive) forward current	One half cycle at 60Hz, peak value	10000	A
I <sup>2</sup> t	I <sup>2</sup> t for fusing	Value for one cycle of surge current	4.2 × 10 <sup>6</sup>	A <sup>2</sup> s
f	Maximum operating frequency		1000	Hz
Tj	Junction temperature		-40~+150	°C
Tstg	Storage temperature		-40~+125	°C
Visol	Isolation voltage	Charged part to case	2500	V
M	Mounting torque	Main terminal screw M8	8.83~10.8	N·m
		Mounting screw M5	1.47~1.96	N·m
m	mass	Typical value	450	g

## ELECTRICAL CHARACTERISTICS

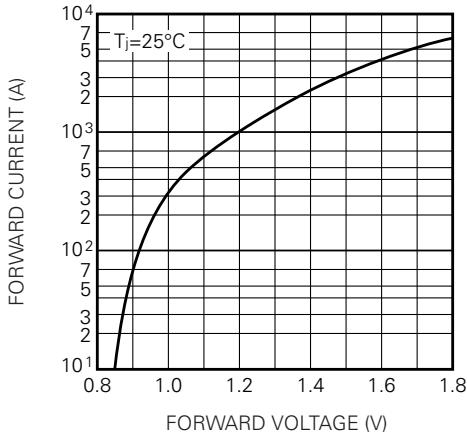
Symbol	Parameter	Test conditions	Limits			Unit
			Min.	Typ.	Max.	
IRRM	Repetitive reverse current	Tj=150°C, VRRM applied	—	—	40	mA
VFM	Forward voltage	Tj=25°C, IFM=1500A, instantaneous meas.	—	—	1.25	V
Rth (j-c)	Thermal resistance	Junction to case (per 1/2 module)	—	—	0.1	K/W
Rth (c-s)	Contact thermal resistance	Case to fin, conductive grease applied (per 1/2 module)	—	—	0.08	K/W
—	Insulation resistance	Measured with a 500V megohmmeter between main terminal and case	10	—	—	MΩ

# RM500HA-M,-H,-24.-2H

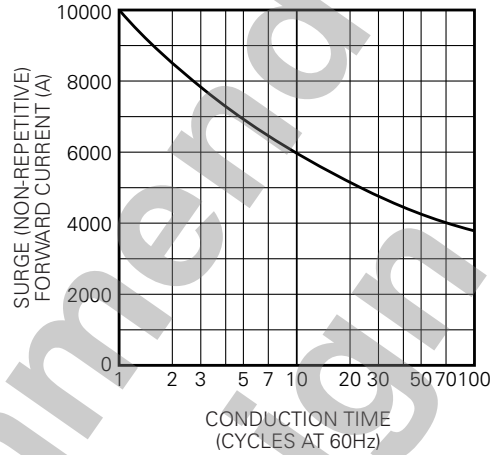
HIGH POWER GENERAL USE  
INSULATED TYPE

## PERFORMANCE CURVES

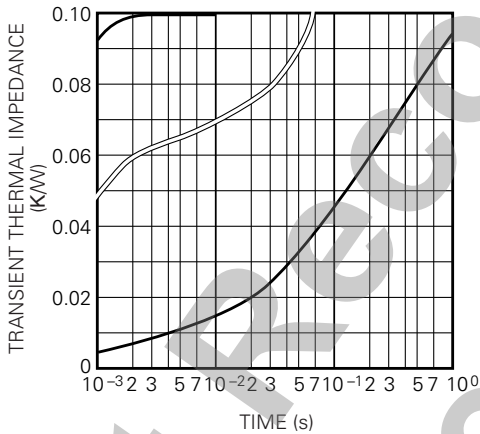
**MAXIMUM FORWARD CHARACTERISTIC**



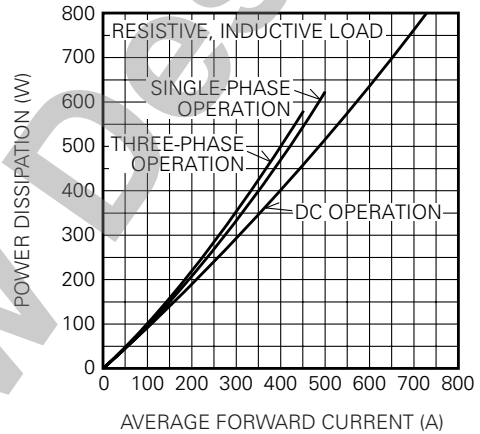
**ALLOWABLE SURGE (NON-REPETITIVE) FORWARD CURRENT**



**MAXIMUM TRANSIENT THERMAL IMPEDANCE (JUNCTION TO CASE)**



**MAXIMUM POWER DISSIPATION**



**ALLOWABLE CASE TEMPERATURE VS. AVERAGE FORWARD CURRENT**

