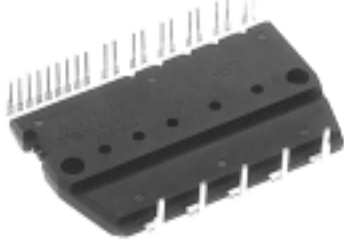


# PS21353-N

TRANSFER-MOLD TYPE  
INSULATED TYPE

## PS21353-N



### INTEGRATED POWER FUNCTIONS

600V/10A low-loss 4th generation (planar) IGBT inverter bridge for 3 phase DC-to-AC power conversion.

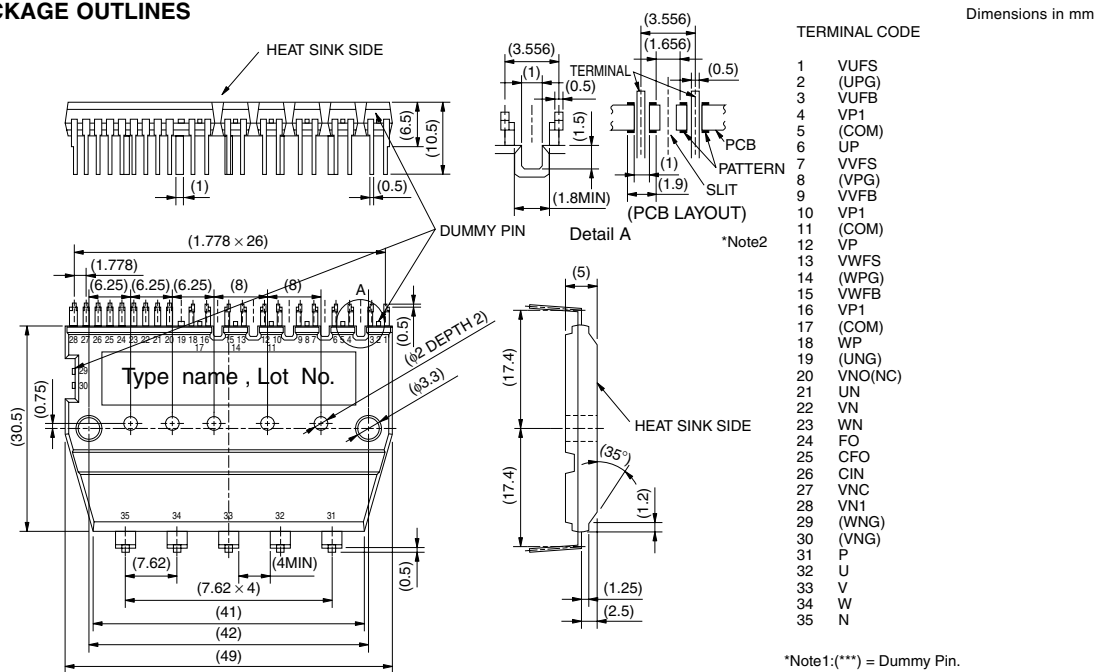
### INTEGRATED DRIVE, PROTECTION AND SYSTEM CONTROL FUNCTIONS

- For upper-leg IGBTs : Drive circuit, High voltage isolated high-speed level shifting, Control circuit under-voltage (UV) protection.  
Note : Bootstrap supply scheme can be applied.
- For lower-leg IGBTs : Drive circuit, Control circuit under-voltage protection (UV), Short-circuit protection (SC).
- Fault signaling : Corresponding to a SC fault (Low-side IGBT) or a UV fault (Low-side IGBT).
- Input interface : 5V line CMOS/TTL compatible, Schmitt Trigger receiver circuit.

## APPLICATION

AC100V~200V inverter drive for motor control.

Fig. 1 PACKAGE OUTLINES



\*Note 2: In order to increase the surface distance between terminals, cut a slit, etc. on the PCB surface when mounting a module.

PS21353-N

TRANSFER-MOLD TYPE  
INSULATED TYPE

Fig. 2 INTERNAL FUNCTIONS BLOCK DIAGRAM (TYPICAL APPLICATION EXAMPLE)

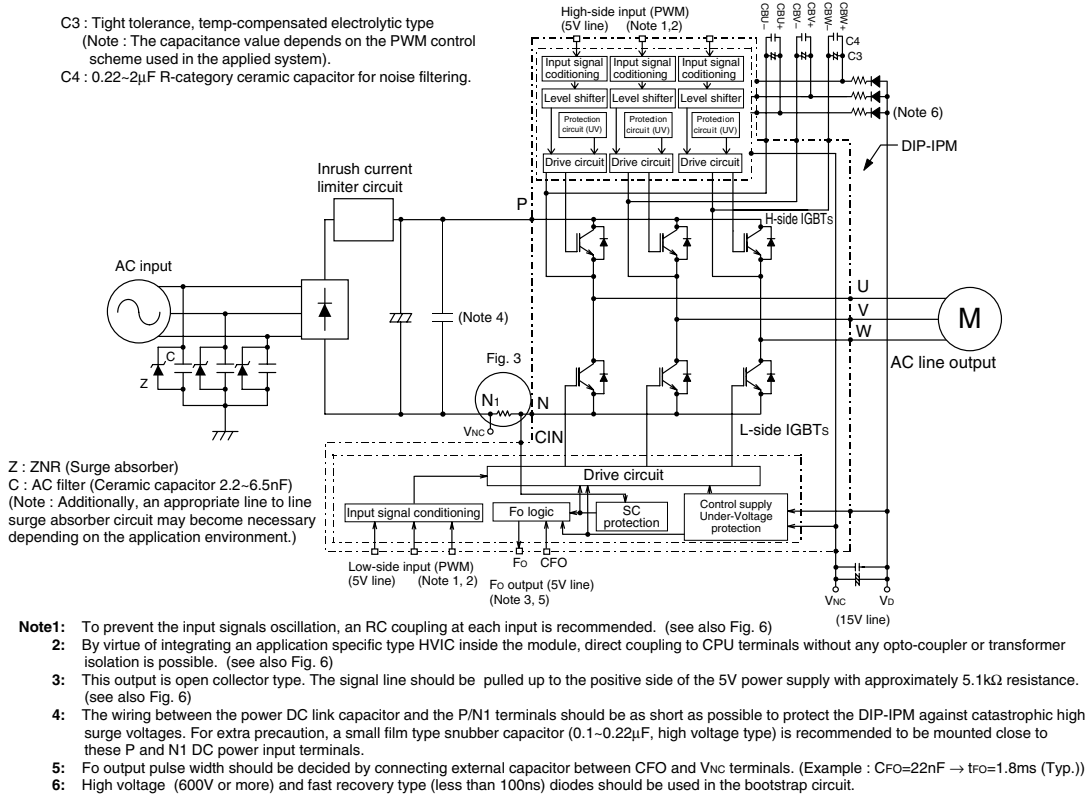
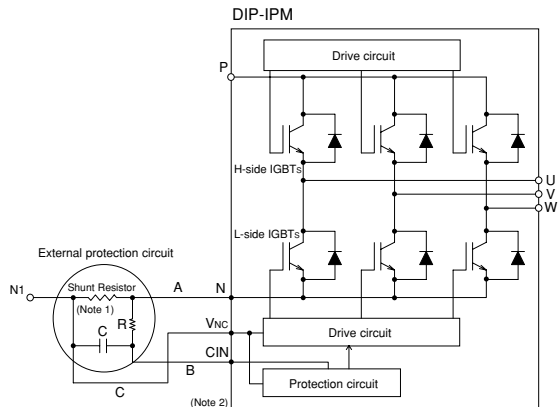
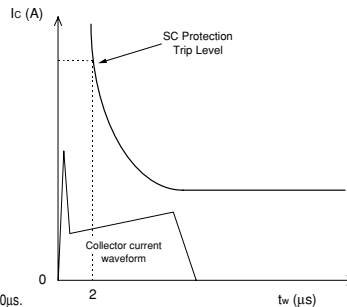


Fig. 3 EXTERNAL PART OF THE DIP-IPM PROTECTION CIRCUIT



Short Circuit Protective Function (SC) :  
SC protection is achieved by sensing the L-side DC-Bus current (through the external shunt resistor) after allowing a suitable filtering time (defined by the RC circuit). When the sensed shunt voltage exceeds the SC trip-level, all the L-side IGBTs are turned OFF and a fault signal (Fo) is output. Since the SC fault may be repetitive, it is recommended to stop the system when the Fo signal is received and check the fault.



# PS21353-N

TRANSFER-MOLD TYPE  
INSULATED TYPE

**MAXIMUM RATINGS** ( $T_j = 25^\circ\text{C}$ , unless otherwise noted)

**INVERTER PART**

Symbol	Parameter	Condition	Ratings	Unit
VCC	Supply voltage	Applied between P-N	450	V
VCC(surge)	Supply voltage (surge)	Applied between P-N	500	V
VCEs	Collector-emitter voltage		600	V
$\pm I_C$	Each IGBT collector current	$T_f = 25^\circ\text{C}$	10	A
$\pm I_{CP}$	Each IGBT collector current (peak)	$T_f = 25^\circ\text{C}$ , instantaneous value (pulse)	20	A
PC	Collector dissipation	$T_f = 25^\circ\text{C}$ , per 1 chip	25	W
$T_j$	Junction temperature	(Note 1)	-20~+150	$^\circ\text{C}$

**Note 1** : The maximum junction temperature rating of the power chips integrated within the DIP-IPM is  $150^\circ\text{C}$  (@  $T_f \leq 100^\circ\text{C}$ ). However, to ensure safe operation of the DIP-IPM, the average junction temperature should be limited to  $T_{j(\text{ave})} \leq 125^\circ\text{C}$  (@  $T_f \leq 100^\circ\text{C}$ ).

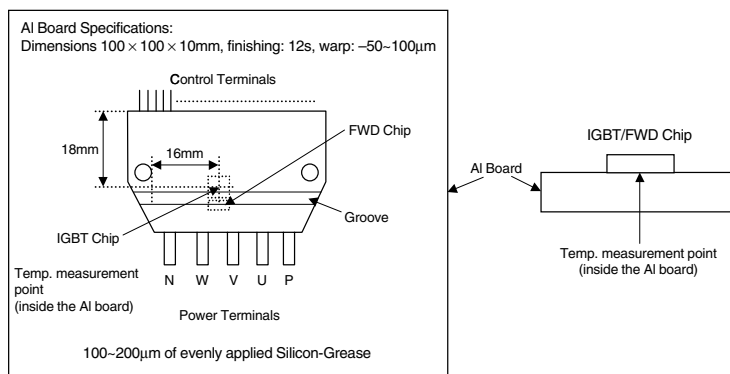
**CONTROL (PROTECTION) PART**

Symbol	Parameter	Condition	Ratings	Unit
V <sub>D</sub>	Control supply voltage	Applied between VP1-VNC, VN1-VNC	20	V
V <sub>DB</sub>	Control supply voltage	Applied between VUFB-VUFS, VVFB-VVFS, VWFB-VWFS	20	V
V <sub>CIN</sub>	Input voltage	Applied between UP, VP, WP-VNC, UN, VN, WN-VNC	-0.5-V <sub>D</sub> +0.5	V
V <sub>FO</sub>	Fault output supply voltage	Applied between FO-VNC	-0.5-V <sub>D</sub> +0.5	V
I <sub>FO</sub>	Fault output current	Sink current at FO terminal	15	mA
V <sub>SC</sub>	Current sensing input voltage	Applied between CIN-VNC	-0.5-V <sub>D</sub> +0.5	V

**TOTAL SYSTEM**

Symbol	Parameter	Condition	Ratings	Unit
VCC(PROT)	Self protection supply voltage limit (short-circuit protection capability)	V <sub>D</sub> = V <sub>DB</sub> = 13.5~16.5V, Inverter part $T_j = 125^\circ\text{C}$ , non-repetitive, less than 2 $\mu\text{s}$	400	V
T <sub>f</sub>	Heat-fin operation temperature	(Note 2)	-20~+100	$^\circ\text{C}$
T <sub>stg</sub>	Storage temperature		-40~+125	$^\circ\text{C}$
V <sub>iso</sub>	Isolation voltage	60Hz, Sinusoidal, 1 minute, connection pins to heat-sink plate	1500	V <sub>rms</sub>

**Note 2 : T<sub>f</sub> MEASUREMENT POINT**



# PS21353-N

TRANSFER-MOLD TYPE  
INSULATED TYPE

## THERMAL RESISTANCE

Symbol	Parameter	Condition	Limits			Unit
			Min.	Typ.	Max.	
$R_{th(j-f)Q}$	Junction-to-heat sink thermal resistance	Inverter IGBT part (per 1/6 module) (Note 3)	—	—	5.0	°C/W
$R_{th(j-f)F}$		Inverter FWD part (per 1/6 module) (Note 3)	—	—	6.5	°C/W

**Note 3:** Grease with good thermal conductivity should be applied evenly about +100 $\mu$ m~+200 $\mu$ m on the contact surface of a DIP-IPM and a heat sink.

## ELECTRICAL CHARACTERISTICS (T<sub>j</sub> = 25°C, unless otherwise noted)

### INVERTER PART

Symbol	Parameter	Condition	Limits			Unit
			Min.	Typ.	Max.	
VCE(sat)	Collector-emitter saturation voltage	VD = VDB = 15V VCIN = 0V	—	IC = 10A, Tj = 25°C 1.8	2.45	V
		IC = 10A, Tj = 125°C		1.9	2.6	
VEC	FWD forward voltage	Tj = 25°C, -IC = 10A, VCIN = 5V	—	2.1	2.85	V
ton	Switching times	VCC = 300V, VD = VDB = 15V IC = 10A, Tj = 125°C Inductive load (upper-lower arm) VCIN = 5 $\leftrightarrow$ 0V	0.40	0.90	1.35	$\mu$ s
tr			—	0.20	—	$\mu$ s
tc(on)			—	0.40	0.65	$\mu$ s
toff			—	0.95	1.40	$\mu$ s
tc(off)			—	0.35	0.85	$\mu$ s
ICES	Collector-emitter cut-off current	VCE = VCES	Tj = 25°C	—	1	mA
			Tj = 125°C	—	10	

### CONTROL (PROTECTION) PART

Symbol	Parameter	Condition	Limits			Unit	
			Min.	Typ.	Max.		
Id	Circuit current	VD = VDB = 15V VCIN = 5V	—	—	8.5	mA	
		Total of VP1-VNC, VN1-VNC VUFB-VUFS, VVFB-VVFS, VWFB-VWFS			1.0		
		VD = VDB = 15V VCIN = 0V	—	—	9.7	mA	
		Total of VP1-VNC, VN1-VNC VUFB-VUFS, VVFB-VVFS, VWFB-VWFS			1.0		
VFOH	Fault output voltage	VSC = 0V, FO = 10k $\Omega$ 5V pull-up	4.9	—	—	V	
VFOL		VSC = 0V, IFO = 1.5mA	—	0.6	0.9	V	
VFOsat		VSC = 1V, IFO = 15mA	0.8	1.2	1.8	V	
VSC(ref)	Short-circuit trip level	Tj = 25°C, VD = 15V (Note 4)	0.43	0.48	0.53	V	
UVDBt	Supply circuit under-voltage protection	Tj $\leq$ 125°C	Trip level	10.0	—	12.0	V
UVDBr			Reset level	10.5	—	12.5	V
UVDt			Trip level	10.3	—	12.5	V
UVDr			Reset level	10.8	—	13.0	V
tFO	Fault output pulse width	CFO = 22nF (Note 5)	1.0	1.8	—	ms	
Vth(on)	ON threshold voltage	Applied between:	0.8	1.4	2.0	V	
Vth(off)	OFF threshold voltage	UP, VP, WP-VNC, UN, VN, WN-VNC	2.5	3.0	4.0	V	

**Note 4:** Short-circuit protection operates only at the low-arms. Please select the value of the external shunt resistor such that the SC trip level is less than 17A

**5:** Fault signal is outputted when the low-arm short-circuit or control supply under-voltage protective functions operate. The fault output pulse-width tFO depends on the capacitance value of CFO according to the following approximate equation. : CFO = (12.2  $\times$  10<sup>-6</sup>)  $\times$  tFO [F]

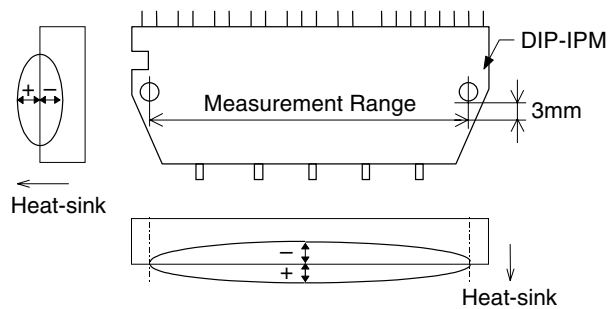
# PS21353-N

TRANSFER-MOLD TYPE  
INSULATED TYPE

## MECHANICAL CHARACTERISTICS AND RATINGS

Parameter	Condition		Limits			Unit
			Min.	Typ.	Max.	
Mounting torque	Mounting screw : M3	—	0.59	0.78	0.98	N·m
Terminal pulling strength	Weight 9.8N	EIAJ-ED-4701	10	—	—	s
Bending strength	Weight 4.9N. 90deg bend	EIAJ-ED-4701	2	—	—	times
Weight		—	—	20	—	g
Heat-sink flatness	(Note 6)	—	-50	—	100	μm

### Note 6: Measurement point of heat-sink flatness



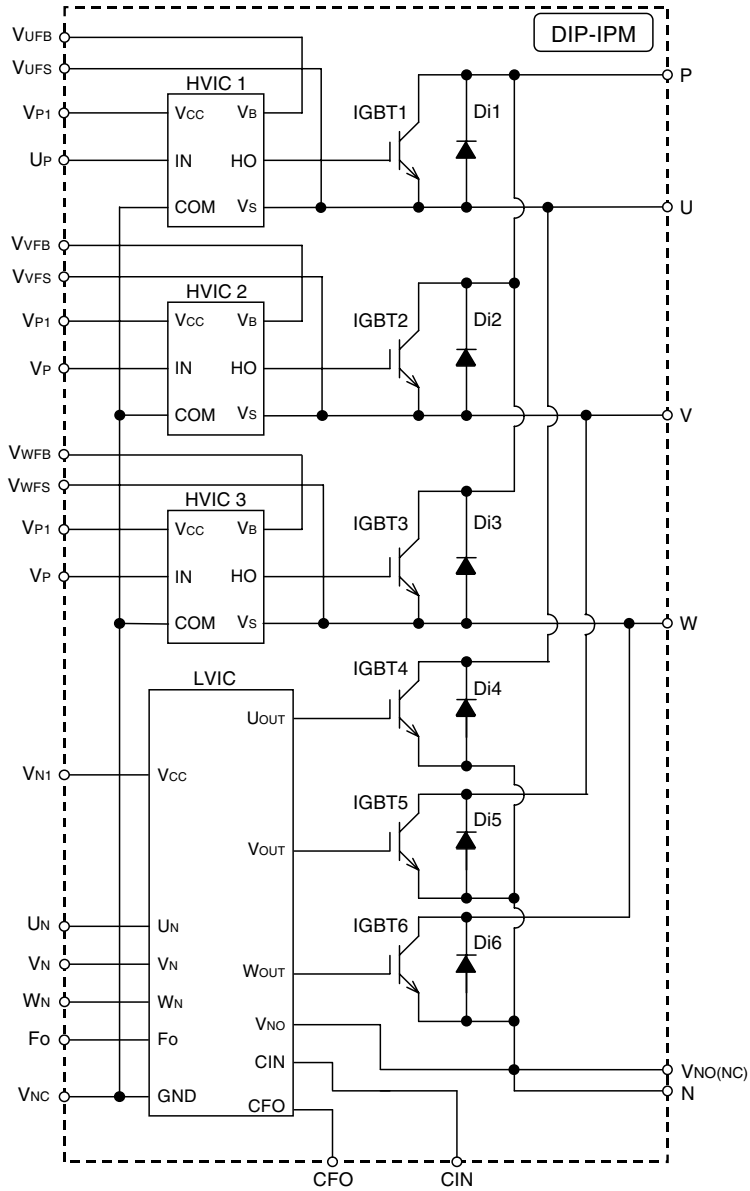
## RECOMMENDED OPERATION CONDITIONS

Symbol	Parameter	Condition	Limits			Unit
			Min.	Typ.	Max.	
V <sub>CC</sub>	Supply voltage	Applied between P-N	0	300	400	V
V <sub>D</sub>	Control supply voltage	Applied between V <sub>P1</sub> -V <sub>NC</sub> , V <sub>N1</sub> -V <sub>NC</sub>	13.5	15.0	16.5	V
V <sub>DB</sub>	Control supply voltage	Applied between V <sub>UFB</sub> -V <sub>UFS</sub> , V <sub>VFB</sub> -V <sub>VFS</sub> , V <sub>WFB</sub> -V <sub>WFS</sub>	13.5	15.0	16.5	V
ΔV <sub>D</sub> , ΔV <sub>DB</sub>	Control supply variation		-1	—	1	V/μs
t <sub>dead</sub>	Arm shoot-through blocking time	For each input signal	1.5	—	—	μs
f <sub>PWM</sub>	PWM input frequency	T <sub>J</sub> ≤ 125°C, T <sub>r</sub> ≤ 100°C	—	15	—	kHz
V <sub>CIN(ON)</sub>	Input ON voltage	Applied between U <sub>P</sub> , V <sub>P</sub> , W <sub>P</sub> -V <sub>NC</sub> , U <sub>N</sub> , V <sub>N</sub> , W <sub>N</sub> -V <sub>NC</sub>	0~0.65			V
V <sub>CIN(OFF)</sub>	Input OFF voltage		4.0~5.5			V

**PS21353-N**

TRANSFER-MOLD TYPE  
INSULATED TYPE

Fig. 4 THE DIP-IPM INTERNAL CIRCUIT



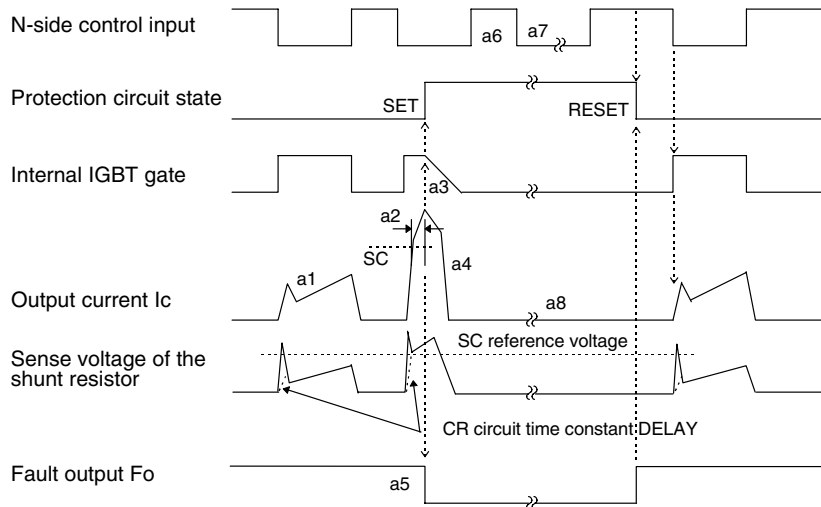
**Note:** The IGBTs gates and the HVICs COM terminals are connected to the dummy pins.

**Fig. 5 TIMING CHARTS OF THE DIP-IPM PROTECTIVE FUNCTIONS**

**[A] Short-Circuit Protection (N-side only)**

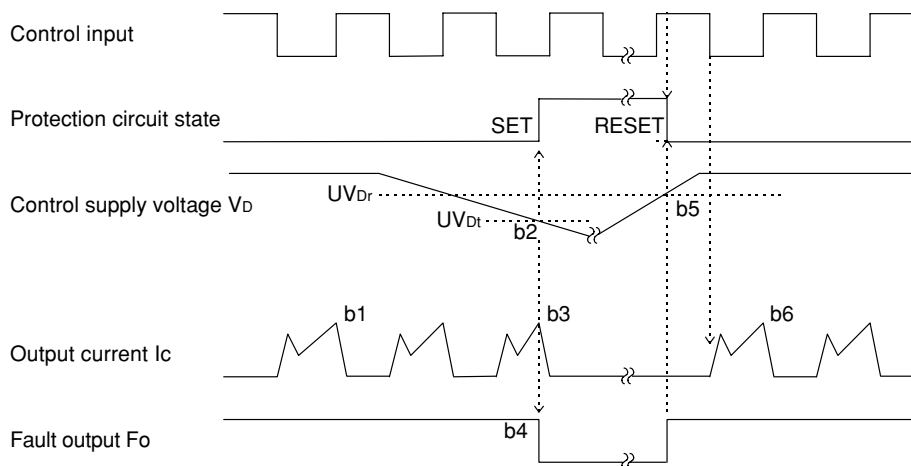
(For the external shunt resistor and CR connection, please refer to Fig. 3.)

- a1. Normal operation : IGBT ON and carrying current.
- a2. Short-circuit current detection (SC trigger).
- a3. IGBT gate interrupt.
- a4. IGBT turns OFF.
- a5. FO timer operation starts : The pulse width of the FO signal is set by the external capacitor C<sub>FO</sub>.
- a6. Input "H" : IGBT OFF state.
- a7. Input "L" : IGBT ON state.
- a8. IGBT OFF state.



**[B] Under-Voltage Protection (N-side, UV<sub>D</sub>)**

- b1. Normal operation : IGBT ON and carrying current.
- b2. Under-voltage trip (UV<sub>Dt</sub>).
- b3. IGBT OFF in spite of control input condition.
- b4. FO timer operation starts.
- b5. Under-voltage reset (UV<sub>Dr</sub>).
- b6. Normal operation : IGBT ON and carrying current.

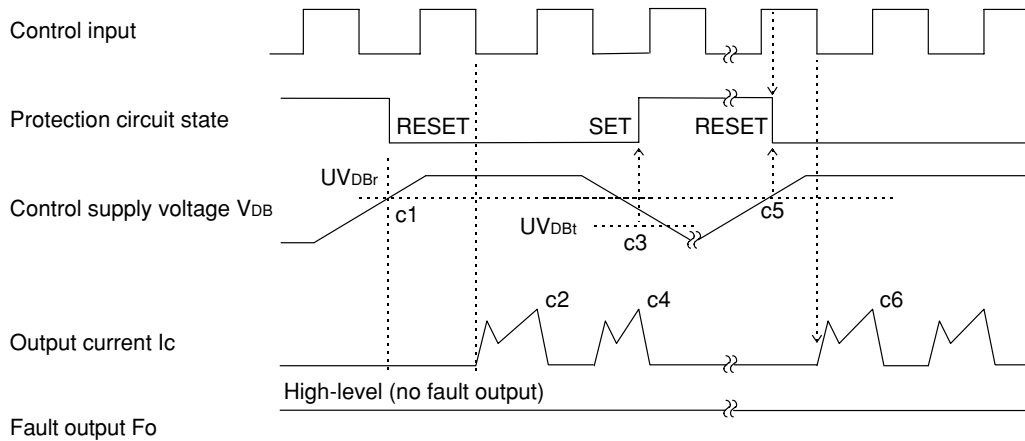


**PS21353-N**

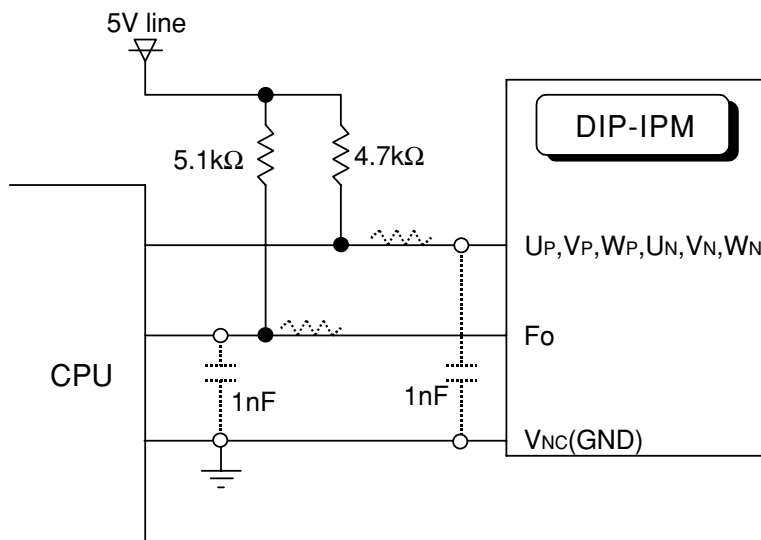
TRANSFER-MOLD TYPE  
INSULATED TYPE

**[C] Under-Voltage Protection (P-side, UVDB)**

- c1. Control supply voltage rises : After the voltage level reaches  $UV_{DBr}$ , the circuits start to operate when the next input is applied.
- c2. Normal operation : IGBT ON and carrying current.
- c3. Under-voltage trip ( $UV_{DBt}$ ).
- c4. IGBT OFF in spite of control input condition (there is no  $Fo$  signal output).
- c5. Under-voltage reset ( $UV_{DBr}$ ).
- c6. Normal operation : IGBT ON and carrying current.



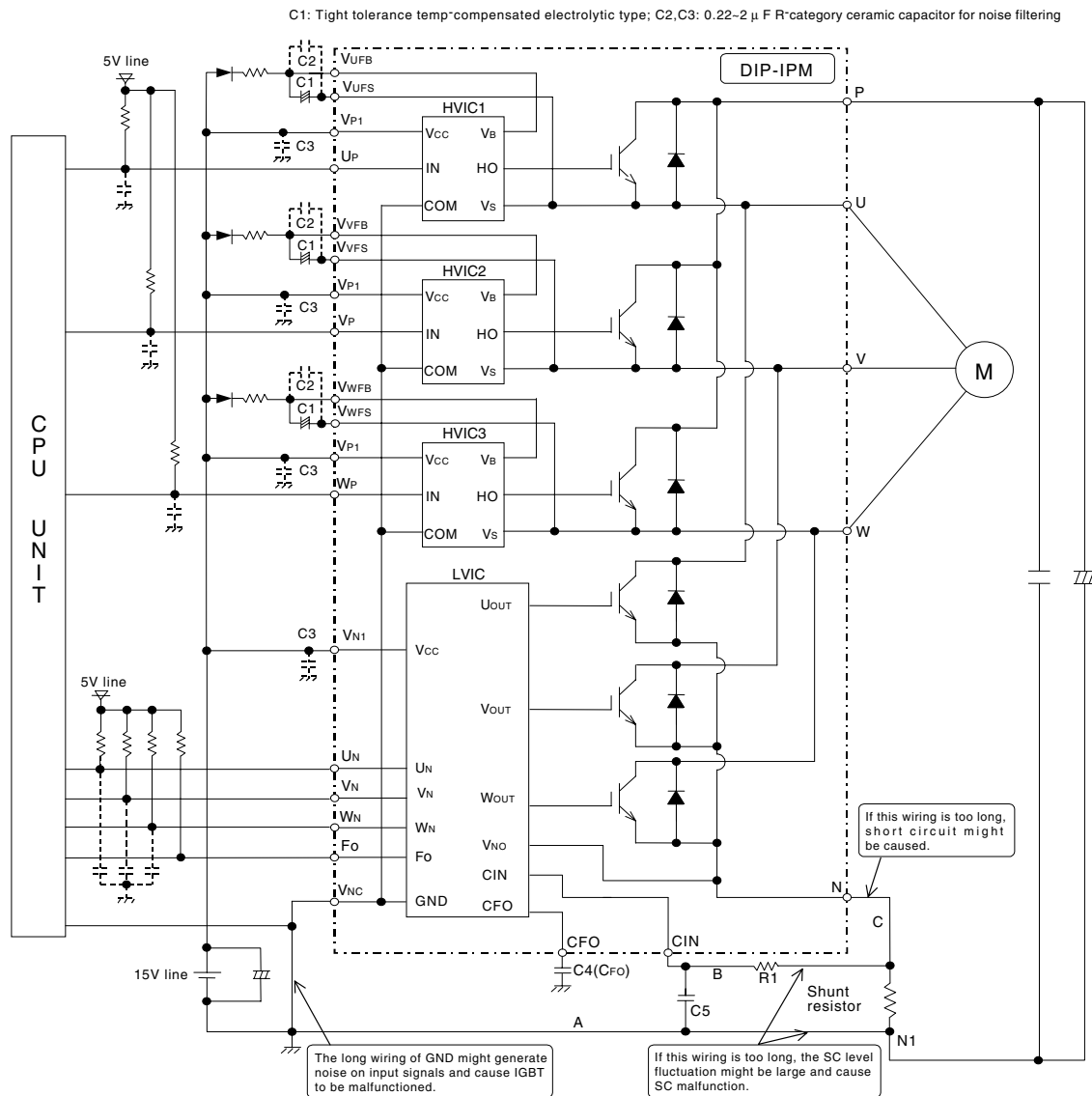
**Fig. 6 RECOMMENDED CPU I/O INTERFACE CIRCUIT**



**Note :** RC coupling at each input (parts shown dotted) may change depending on the PWM control scheme used in the application and on the wiring impedance of the application's printed circuit board.



Fig. 7 TYPICAL DIP-IPM APPLICATION CIRCUIT EXAMPLE



- Note 1 :** To prevent the input signals oscillation, an RC coupling at each input is recommended, and the wiring of each input should be as short as possible (less than 2cm).
- 2 :** By virtue of integrating an application specific type HVIC inside the module, direct coupling to CPU terminals without any opto-coupler or transformer isolation is possible.
- 3 :** Fo output is open collector type. This signal line should be pulled up to the positive side of the 5V power supply with approximately 5.1kΩ resistance.
- 4 :** Fo output pulse width should be decided by connecting an external capacitor between CFO and VNC terminals (CFO). (Example : CFO = 22 nF → tFO = 1.8 ms (typ.))
- 5 :** Each input signal line should be pulled up to the positive side of the 5V power supply with approximately 4.7kΩ resistance (other RC coupling circuits at each input may be needed depending on the PWM control scheme used and on the wiring impedances of the system's printed circuit board). Approximately a 0.22~2μF by-pass capacitor should be used across each power supply connection terminals.
- 6 :** To prevent errors of the protection function, the wiring of A, B, C should be as short as possible.
- 7 :** In the recommended protection circuit, please select the R1C5 time constant in the range of 1.5~2μs.
- 8 :** Each capacitor should be put as nearby the terminals of the DIP-IPM as possible.
- 9 :** To prevent surge destruction, the wiring between the smoothing capacitor and the P&N1 terminals should be as short as possible. Approximately a 0.1~0.22μF snubber capacitor between the P&N1 terminals is recommended.