

MITSUBISHI SEMICONDUCTORS POWER MODULES MOS

USING INTELLIGENT POWER MODULES

6.0 Introduction to Intelligent Power Modules (IPM)

Mitsubishi Intelligent Power Modules (IPMs) are advanced hybrid power devices that combine high speed, low loss IGBTs with optimized gate drive and protection circuitry. Highly effective over-current and short-circuit protection is realized through the use of advanced current sense IGBT chips that allow continuous monitoring of power device current. System reliability is further enhanced by the IPM's integrated over temperature and under voltage lock out protection. Compact, automatically assembled Intelligent Power Modules are designed to reduce system size, cost, and time to market. Mitsubishi Electric introduced the first full line of Intelligent Power Modules in November, 1991. Continuous improvements in power chip, packaging, and control circuit technology have led to the IPM lineup shown in Table 6.1.

6.0.1 Third Generation Intelligent Power Modules

Mitsubishi third generation intelligent power module family shown in Table 6.1 represents the industries most complete line of IPMs. Since their original introduction in 1993 the series has been expanded to include 36 types with ratings ranging from 10A 600V to 800A 1200V. The power semiconductors used in these modules are based on the field proven H-Series IGBT and diode processes. In Table 6.1 the third generation family has been divided into two groups, the "Low Profile Series" and "High Power Series" based on the packaging technology that is used. The third

generation IPM has been optimized for minimum switching losses in order to meet industry demands for acoustically noiseless inverters with carrier frequencies up to 20kHz. The built in gate drive and protection has been carefully designed to minimize the components required for the user supplied interface circuit.

6.0.2 V-Series High Power IPMs

The V-Series IPM was developed in order to address newly emerging industry requirements for higher reliability, lower cost and reduced EMI. By utilizing the low inductance packaging technology developed

for the U-Series IGBT module (described in Section 4.1.5) combined with an advanced super soft free-wheel diode and optimized gate drive and protection circuits the V-Series IPM family achieves improved performance at reduced cost. The detailed descriptions of IPM operation and interface requirements presented in Sections 6.1 through 6.8 apply to V-Series as well as third generation IPMs. The only exception being that V-Series IPMs have a unified short circuit protection function that takes the place of the separate short circuit and over current functions described in Sections 6.4.4 and 6.4.5. The unified protection was made

Table 6.1 Mitsubishi Intelligent Power Modules

| Type Number | Amps | Power Circuit |
|---|------|------------------------|
| Third Generation Low Profile Series - 600V | | |
| PM10CSJ060 | 10 | Six IGBTs |
| PM15CSJ060 | 15 | Six IGBTs |
| PM20CSJ060 | 20 | Six IGBTs |
| PM30CSJ060 | 30 | Six IGBTs |
| PM50RSK060 | 50 | Six IGBTs + Brake ckt. |
| PM75RSK060 | 75 | Six IGBTs + Brake ckt. |
| Third Generation Low Profile Series - 1200V | | |
| PM10CZF120 | 10 | Six IGBTs |
| PM10RSH120 | 10 | Six IGBTs + Brake ckt. |
| PM15CZF120 | 15 | Six IGBTs |
| PM15RSH120 | 15 | Six IGBTs + Brake ckt. |
| PM25RSK120 | 25 | Six IGBTs + Brake ckt. |
| Third Generation High Power Series - 600V | | |
| PM75RSA060 | 75 | Six IGBTs + Brake ckt. |
| PM100CSA060 | 100 | Six IGBTs |
| PM100RSA060 | 100 | Six IGBTs + Brake ckt. |
| PM150CSA060 | 150 | Six IGBTs |
| PM150RSA060 | 150 | Six IGBTs + Brake ckt. |
| PM200CSA060 | 200 | Six IGBTs |
| PM200RSA060 | 200 | Six IGBTs + Brake ckt. |
| PM200DSA060 | 200 | Two IGBTs: Half Bridge |
| PM300DSA060 | 300 | Two IGBTs: Half Bridge |
| PM400DAS060 | 400 | Two IGBTs: Half Bridge |
| PM600DSA060 | 600 | Two IGBTs: Half Bridge |
| PM800HSA060 | 800 | One IGBT |

| Type Number | Amps | Power Circuit |
|--|------|------------------------|
| Third Generation High Power Series - 1200V | | |
| PM25RSB120 | 25 | Six IGBTs + Brake ckt. |
| PM50RSA120 | 50 | Six IGBTs + Brake ckt. |
| PM75CSA120 | 75 | Six IGBTs |
| PM75DSA120 | 75 | Two IGBTs: Half Bridge |
| PM100CSA120 | 100 | Six IGBTs |
| PM100DSA120 | 100 | Two IGBTs: Half Bridge |
| PM150DSA120 | 150 | Two IGBTs: Half Bridge |
| PM200DSA120 | 200 | Two IGBTs: Half Bridge |
| PM300DSA120 | 300 | Two IGBTs: Half Bridge |
| PM400HSA120 | 400 | Two IGBTs: Half Bridge |
| PM600HSA120 | 600 | One IGBT |
| PM800HSA120 | 800 | One IGBT |
| V-Series High Power - 600V | | |
| PM75RVA060 | 75 | Six IGBTs + Brake ckt. |
| PM100CVA060 | 100 | Six IGBTs |
| PM150CVA060 | 150 | Six IGBTs |
| PM200CVA060 | 200 | Six IGBTs |
| PM300CVA060 | 300 | Six IGBTs |
| PM400DVA060 | 400 | Two IGBTs: Half Bridge |
| PM600DVA060 | 600 | Two IGBTs: Half Bridge |
| V-Series High Power - 1200V | | |
| PM50RVA120 | 50 | Six IGBTs + Brake ckt. |
| PM75CVA120 | 75 | Six IGBTs |
| PM100CVA120 | 100 | Six IGBTs |
| PM150CVA120 | 150 | Six IGBTs |
| PM200DVA120 | 200 | Two IGBTs: Half Bridge |
| PM300DVA120 | 300 | Two IGBTs: Half Bridge |

USING INTELLIGENT POWER MODULES

possible by an advanced RTC (Real Time Control) current clamping circuit that eliminates the need for the over current protection function. In V-Series IPMs a unified short circuit protection with a delay to avoid unwanted operation replaces the over current and short circuit modes of the third generation devices.

6.1 Structure of Intelligent Power Modules

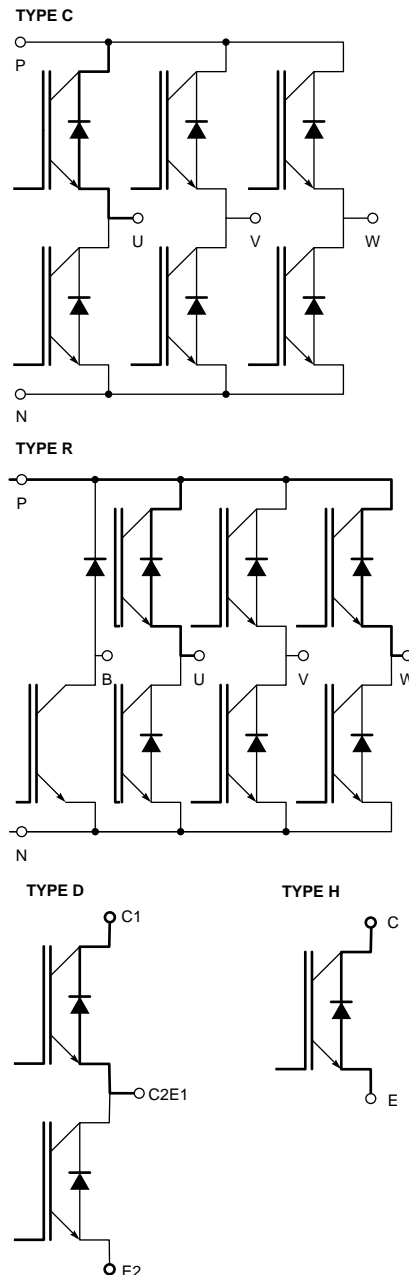
Mitsubishi Intelligent Power Modules utilize many of the same field proven module packaging technologies used in Mitsubishi IGBT modules. Cost effective implementation of the built in gate drive and protection circuits over a wide range of current ratings was achieved using two different packaging techniques. Low power devices use a multilayer epoxy isolation system while medium and high power devices use ceramic isolation. These packaging technologies are described in more detail in Sections 6.1.1 and 6.1.2. IPM are available in four power circuit configurations, single (H), dual (D), six pack (C), and seven pack (R). Table 6.1 indicates the power circuit of each IPM and Figure 6.1 shows the power circuit configurations.

6.1.1 Multilayer Epoxy Construction

Low power IPM (10-50A, 600V and 10-15A, 1200V) use a multilayer epoxy based isolation system. In this system, alternate layers of copper and epoxy are used to create a shielded printed circuit directly on the aluminum base plate. Power

chips and gate control circuit components are soldered directly to the substrate eliminating the need for a separate printed circuit board and ceramic isolation materials. Modules constructed using this technique are easily identified by their

Figure 6.1 Power Circuit Configuration



extremely low profile packages. This package design is ideally suited for consumer and industrial applications where low cost and compact size are important. Figure 6.2 shows a cross section of this type of IPM package. Figure 6.3 is a PM20CSJ060 20A, 600V IPM.

Figure 6.2 Multi-Layer Epoxy Construction

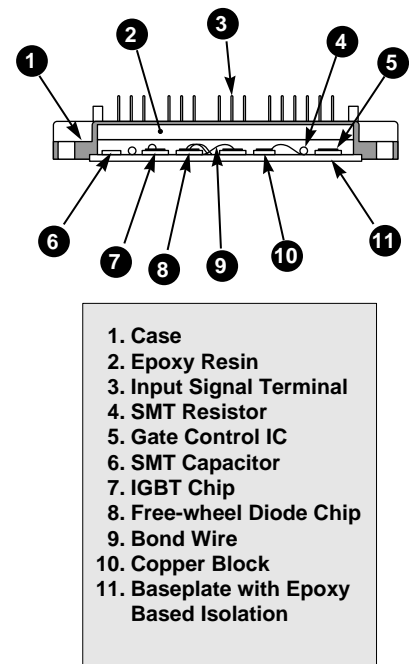
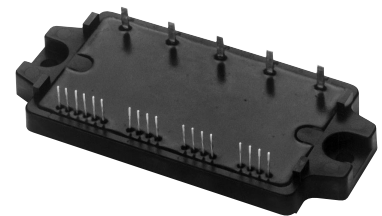


Figure 6.3 PM20CSJ060



6.1.2 Ceramic Isolation Construction

Higher power IPMs are constructed using ceramic isolation material. A direct bond copper process in which copper patterns are bonded directly to the ceramic substrate without the use of solder is used in these modules. This substrate provides the improved thermal characteristics and greater current carrying capabilities that are needed in these higher power devices. Gate drive and control circuits are contained on a separate PCB mounted directly above the power devices. The PCB is a multilayer construction with special shield layers for EMI noise immunity. Figure 6.4 shows the structure of a ceramic isolated Intelligent Power Module. Figure 6.5 is a PM75RSA060 75 A, 600V IPM.

Figure 6.4 Ceramic Isolation Construction

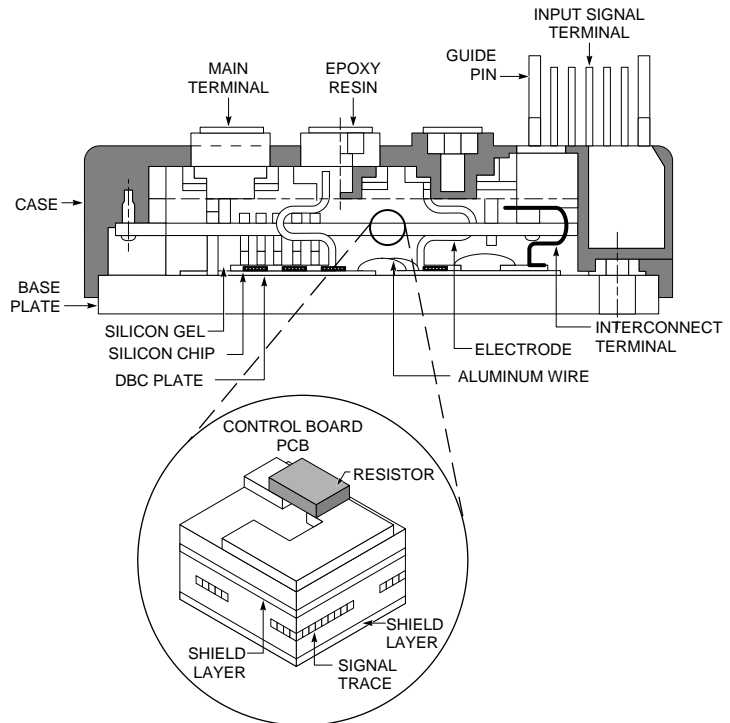
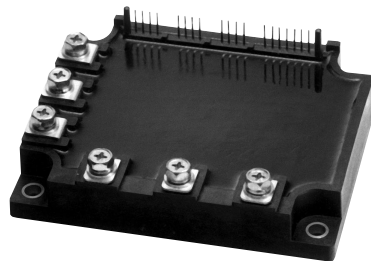


Figure 6.5 PM75RSA060



USING INTELLIGENT POWER MODULES

6.1.3 V-Series IPM Construction

V-Series IPMs are similar to the ceramic isolated types described in Section 6.1.2 except that an insert molded case similar to the U-Series IGBT is used. Like the U-Series IGBT described in Section 4.1.5, the V-Series IPM has lower internal inductance and improved power cycle durability. Figure 6.6 is a cross section drawing showing the construction of the V-Series IPM. The insert molded case makes the V-Series IPM easier to manufacture and lower in cost. Figure 6.7 shows a PM150CVA120 which is a 150A 1200V V-Series IPM.

6.1.4 Advantages of Intelligent Power Module

IPM (Intelligent Power Module) products were designed and developed to provide advantages to Customers by reducing design, development, and manufacturing

costs as well as providing improvement in system performance and reliability over conventional IGBTs. Design and development effort is simplified and successful drive coordination is assured by the integration of the drive and protection circuitry directly into the IPM. Reduced time to market is only one of the additional benefits of using an IPM. Others include increased system reliability through automated IPM assembly and test and reduction in the number of components that must be purchased, stored, and assembled. Often the system size can be reduced through smaller heatsink requirements as a result of lower on-state and switching losses. All IPMs use the same standardized gate control interface with logic level control circuits allowing extension of the product line without additional drive circuit design. Finally, the ability of the IPM to self protect in fault situations reduce the chance of device destruction during development testing as well as in field stress situations.

6.2 IPM Ratings and Characteristics

IPM datasheets are divided into three sections:

- Maximum Ratings
- Characteristics (electrical, thermal, mechanical)
- Recommended Operating Conditions

The limits given as maximum rating must not be exceeded under any circumstances, otherwise destruction of the IPM may result.

Key parameters needed for system design are indicated as electrical, thermal, and mechanical characteristics.

The given recommended operating conditions and application circuits should be considered as a preferable design guideline fitting most applications.

Figure 6.6 V-Series IPM Construction

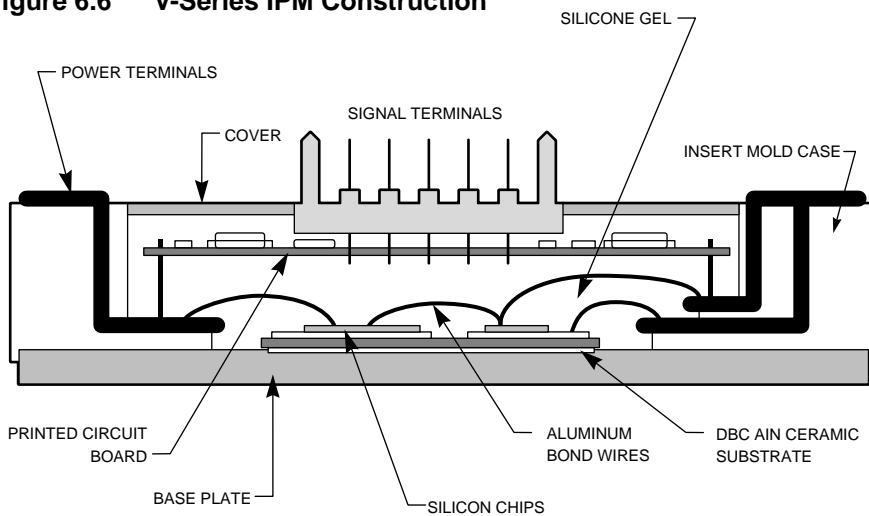


Figure 6.7 PM150CVA120



MITSUBISHI SEMICONDUCTORS POWER MODULES MOS
USING INTELLIGENT POWER MODULES

6.2.1 Maximum Ratings

| Symbol | Parameter | Definition |
|----------------------|-------------------------------------|---|
| Inverter Part | | |
| V_{CC} | Supply Voltage | Maximum DC bus voltage applied between P-N |
| V_{CES} | Collector-Emitter Voltage | Maximum off-state collector-emitter voltage at applied control input off signal |
| $\pm I_C$ | Collector-Current | Maximum DC collector and FWDi current @ $T_j \leq 150^\circ\text{C}$ |
| $\pm I_{CP}$ | Collector-Current (peak) | Maximum peak collector and FWDi current @ $T_j \leq 150^\circ\text{C}$ |
| P_C | Collector Dissipation | Maximum power dissipation per IGBT switch at $T_j = 25^\circ\text{C}$ |
| T_j | Junction Temperature | Range of IGBT junction temperature during operation |
| Brake Part | | |
| $V_{R(DC)}$ | FWDi Reverse Voltage | Maximum reverse voltage of FWDi |
| I_F | FWDi Forward Current | Maximum FWDi DC current at $T_j \leq 150^\circ\text{C}$ |
| Control Part | | |
| V_D | Supply Voltage | Maximum control supply voltage |
| V_{CIN} | Input Voltage | Maximum voltage between input (I) and ground (C) pins |
| V_{FO} | Fault Output Supply Voltage | Maximum voltage between fault output (FO) and ground (C) pins |
| I_{FO} | Fault Output Current | Maximum sink current of fault output (FO) pin |
| Total System | | |
| $V_{CC(prot)}$ | Supply Voltage Protected by OC & SC | Maximum DC bus voltage applied between P-N with guaranteed OC and SC protection |
| T_C | Module Case Operating Temperature | Range of allowable case temperature at specified reference point during operation |
| T_{stg} | Storage Temperature | Range of allowable ambient temperature without voltage or current |
| V_{iso} | Isolation Voltage | Maximum isolation voltage (AC 60Hz 1 min.) between baseplate and module terminals (all main and signal terminals externally shorted together) |

6.2.2 Thermal Resistance

| Symbol | Parameter | Definition |
|---------------|-------------------------------------|--|
| $R_{th(j-c)}$ | Junction to Case Thermal Resistance | Maximum value of thermal resistance between junction and case per switch |
| $R_{th(c-f)}$ | Contact Thermal Resistance | Maximum value of thermal resistance between case and fin (heatsink) per IGBT/FWDi pair with thermal grease applied according to mounting recommendations |

6.2.3 Electrical Characteristics

| Symbol | Parameter | Definition |
|--------------------------------|--------------------------------------|---|
| Inverter and Brake Part | | |
| $V_{CE(sat)}$ | Collector-Emitter Saturation Voltage | IGBT on-state voltage at rated collector current under specified conditions |
| V_{EC} | FWDi Forward Voltage | FWDi forward voltage at rated current under specified conditions |
| t_{on} | Turn-On Time | Inductive load switching times under rated conditions (See Figure 6.10) |
| t_{rr} | FWDi Recovery Time | |
| $t_{c(on)}$ | Turn-On Crossover Time | |
| t_{off} | Turn-Off Time | |
| $t_{c(off)}$ | Turn-Off Crossover Time | |
| I_{CES} | Collector-Emitter Cutoff | Collector-Emitter current in off-state at $V_{CE} = V_{CES}$ under specified conditions |

USING INTELLIGENT POWER MODULES

6.2.3 Electrical Characteristics (continued)

| Symbol | Parameter | Definition |
|---------------------|---|--|
| Control Part | | |
| V_D | Supply Voltage | Range of allowable control supply voltage in switching operation |
| I_D | Circuit Current | Control supply current in stand-by mode |
| $V_{CIN(on)}$ | Input ON-Voltage | A voltage applied between input (I) and ground (C) pins less than this value will turn on the IPM |
| $V_{CIN(off)}$ | Input OFF-Voltage | A voltage applied between input (I) and ground (C) pins higher than this value will turn off the IPM |
| f_{PWM} | PWM Input Frequency | Range of PWM frequency for VVVF inverter operations |
| t_{dead} | Arm Shoot Through Blocking Time | Time delay required between high and low side input off/on signals to prevent an arm shoot through |
| OC | Over-Current Trip Level | Collector that will activate the over-current protection |
| SC | Short-Circuit Trip Level | Collector current that will activate the short-circuit protection |
| $t_{off(OC)}$ | Over-Current Delay Time | Time delay after collector current exceeds OC trip level until OC protection is activated |
| OT | Over-Temperature Trip Level | Baseplate temperature that will activate the over-temperature protection |
| OT_r | Over-Temperature Reset Level | Temperature that the baseplate must fall below to reset an over-temperature fault |
| UV | Control Supply Undervoltage Trip Level | Control supply voltage below this value will activate the undervoltage protection |
| UV_r | Control Supply Undervoltage Reset Level | Control supply voltage that must exceed to reset an undervoltage fault |
| $I_{FO(H)}$ | Fault Output Inactive Current | Fault output sink current when no fault has occurred |
| $I_{FO(L)}$ | Fault Output Active Current | Fault Output sink current when a fault has occurred |
| t_{FO} | Fault Output Pulsed Width | Duration of the generated fault output pulse |
| V_{SXR} | SXR Terminal Output Voltage | Regulated power supply voltage on SXR terminal for driving the external optocoupler |

6.2.4 Recommended Operation Conditions

| Symbol | Parameter | Definition |
|----------------|---------------------------------|---|
| V_{CC} | Main Supply Voltage | Recommended DC bus voltage range |
| V_D | Control Supply Voltage | Recommended control supply voltage range |
| $V_{CIN(on)}$ | Input ON-Voltage | Recommended input voltage range to turn on the IPM |
| $V_{CIN(off)}$ | Input OFF-Voltage | Recommended input voltage range to turn off the IPM |
| f_{PWM} | PWM Input Frequency | Recommended range of PWM carrier frequency using the recommended application circuit |
| t_{DEAD} | Arm Shoot Through Blocking Time | Recommended time delay between high and low side off/on signals to the optocouplers using the recommended application circuit |

6.2.5 Test Circuits and Conditions

The following test circuits are used to evaluate the IPM characteristics.

1. $V_{CE(sat)}$ and V_{EC}

To ensure specified junction temperature, T_j , measurements of $V_{CE(sat)}$ and V_{EC} must be performed as low duty factor pulsed tests. (See Figures 6.8 and 6.9)

Figure 6.8 $V_{CE(sat)}$ Test

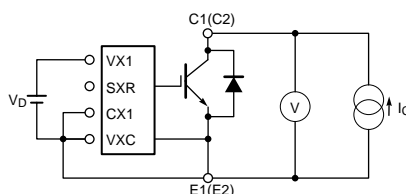
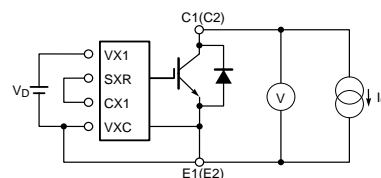


Figure 6.9 V_{EC} Test



MITSUBISHI SEMICONDUCTORS POWER MODULES MOS

USING INTELLIGENT POWER MODULES

2. Half-Bridge Test Circuit and Switching Time Definitions.

Figure 6.10 shows the standard half-bridge test circuit and switching waveforms. Switching times and FWDi recovery characteristics are defined as shown in this figure.

3. Overcurrent and Short-Circuit Test

I_{trip} levels and timing specifications in short circuit and overcurrent are defined as shown in Figure 6.11. By using a fixed load resistance the supply voltage, V_{CC} , is gradually increased until OC and SC trip levels are reached.

Precautions:

- A. Before applying any main bus voltage, V_{CC} , the input terminals should be pulled up by resistors to their corresponding control supply (or SXR) pin, each input signal should be kept in OFF state, and the control supply should be provided. After this, the specified ON and OFF level for each input signal should be applied. The control supply should also be applied to the non-operating arm of the module under test and inputs of these arms should be kept to their OFF state.
- B. When performing OC and SC tests the applied voltage, V_{CC} , must be less than $V_{CC(prot)}$ and the turn-off surge voltage spike must not be allowed to rise above the V_{CES} rating of the device. (These tests must not be attempted using a curve tracer.)

Figure 6.10 Half-Bridge Test Circuit and Switching Time Definitions

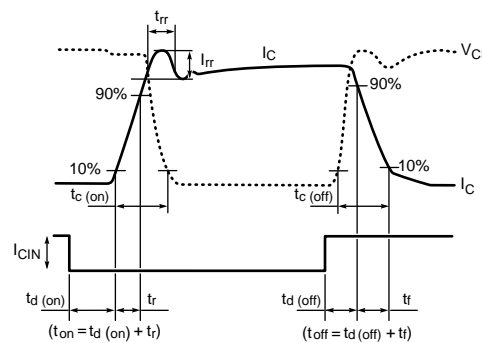
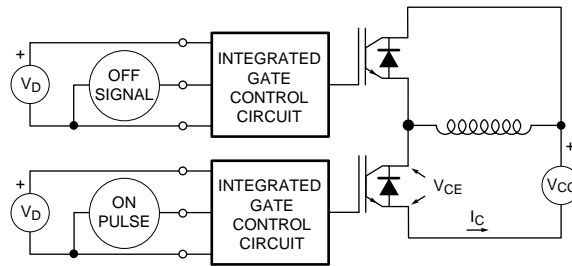
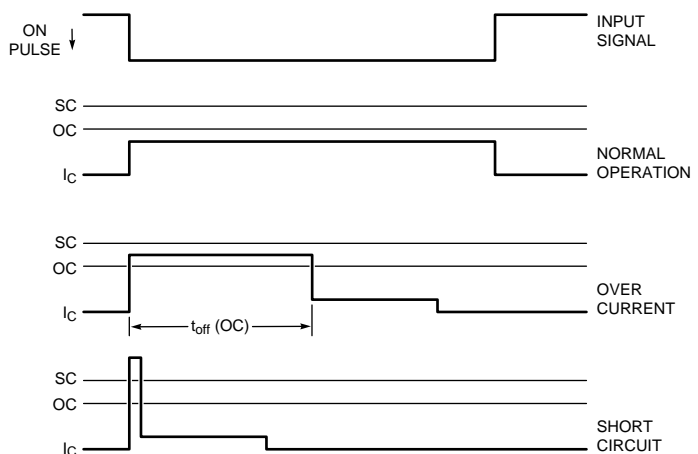
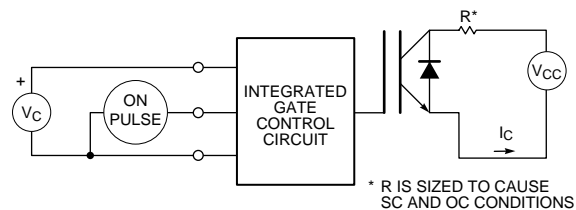


Figure 6.11 Over-Current and Short-Circuit Test Circuit



USING INTELLIGENT POWER MODULES

6.3 Area of Safe Operation for Intelligent Power Modules

The IPMs built-in gate drive and protection circuits protect it from many of the operating modes that would violate the Safe Operation Area (SOA) of non-intelligent IGBT modules. A conventional SOA definition that characterizes all possible combinations of voltage, current, and time that would cause power device failure is not required. In order to define the SOA for IPMs, the power device capability and control circuit operation must both be considered. The resulting easy to use short circuit and switching SOA definitions for Intelligent Power Modules are summarized in this section.

6.3.1 Switching SOA

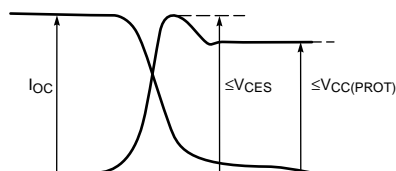
Switching or turn-off SOA is normally defined in terms of the maximum allowable simultaneous voltage and current during repetitive turn-off switching operations. In the case of the IPM the built-in gate drive eliminates many of the dangerous combinations of voltage and current that are caused by improper gate drive. In addition, the maximum operating current is limited by the over current protection circuit. Given these constraints the switching SOA can be defined using the waveform shown in Figure 6.12. This waveform shows that the IPM will operate safely as long as the DC bus voltage is below the data sheet $V_{CC(prot)}$ specification, the turn-off transient voltage across C-E terminals of each IPM switch is

maintained below the V_{CES} specification, T_j is less than 125°C , and the control power supply voltage is between 13.5V and 16.5V. In this waveform I_{OC} is the maximum current that the IPM will allow without causing an Over Current (OC) fault to occur. In other words, it is just below the OC trip level. This waveform defines the worst case for hard turn-off operations because the IPM will initiate a controlled slow shutdown for currents higher than the OC trip level.

6.3.2 Short Circuit SOA

The waveform in Figure 6.13 depicts typical short circuit operation. The standard test condition uses a minimum impedance short circuit which causes the maximum short circuit current to flow in the device. In this test, the short circuit current (I_{SC}) is limited only by the device characteristics. The IPM is guaranteed to survive non-repetitive short circuit and over current conditions as long as the initial DC bus voltage is less than the $V_{CC(prot)}$ specification, all transient voltages across C-E terminals of each IPM switch are maintained less than the V_{CES} specification, T_j is less than 125°C , and the control supply voltage is between 13.5V and 16.5V.

Figure 6.12 Turn-Off Waveform



The waveform shown depicts the controlled slow shutdown that is used by the IPM in order to help minimize transient voltages.

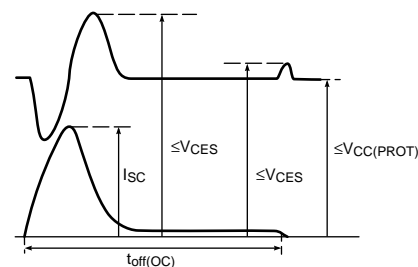
Note:

The condition $V_{CE} \leq V_{CES}$ has to be carefully checked for each IPM switch. For easing the design another rating is given on the data sheets, $V_{CC(surge)}$, i.e., the maximum allowable switching surge voltage applied between the P and N terminals.

6.3.3 Active Region SOA

Like most IGBTs, the IGBTs used in the IPM are not suitable for linear or active region operation. Normally device capabilities in this mode of operation are described in terms of FBSOA (Forward Biased Safe Operating Area). The IPM's internal gate drive forces the IGBT to operate with a gate voltage of either zero for the off state or the control supply voltage (V_D) for the on state. The IPMs under-voltage lock out prevents any possibility of active or linear operation by automatically turning the power device off if V_D drops to a level that could cause desaturation of the IGBT.

Figure 6.13 Short-Circuit Operation



USING INTELLIGENT POWER MODULES

6.4. IPM Self Protection

6.4.1 Self Protection Features

IPM (Intelligent Power Modules) have sophisticated built-in protection circuits that prevent the power devices from being damaged should the system malfunction or be over stressed. Our design and applications engineers have developed fault detection and shut down schemes that allow maximum utilization of power device capability without compromising reliability. Control supply under-voltage, over-temperature, over-current, and short-circuit protection are all provided by the IPM's internal gate control circuits. A fault output signal is provided to alert the system controller if any of the protection circuits are activated. Figure 6.14 is a block diagram showing the IPMs internally integrated functions. This diagram also shows the isolated interface circuits and control power supply that must be provided by the user. The internal gate control circuit requires only a simple +15V DC supply. Specially designed gate drive circuits eliminate the need for a negative supply to off bias the IGBT. The IPM control input is designed to interface with optocoupled transistors with a minimum of external components. The

operation and timing of each protection feature is described in Sections 6.4.2 through 6.4.5.

6.4.2 Control Supply Under-Voltage Lock-Out

The Intelligent Power Module's internal control circuits operate from an isolated 15V DC supply. If, for any reason, the voltage of this supply drops below the specified under-voltage trip level (UV_t), the power devices will be turned off and a fault signal will be generated. Small glitches less than the specified t_{dUV} in length will not affect the operation of the control circuitry and will be ignored by the under-voltage protection circuit. In order for normal operation to resume, the supply voltage must exceed the under-voltage reset level (UV_r). Operation of the under-voltage protection circuit will also occur during power up and power down of the control supply. This operation is normal and the system controller's program should take the fault output delay (t_{fd}) into account. Figure 6.15 is a timing diagram showing the operation of the under-voltage lock-out protection circuit. In this diagram an active low input signal is applied to the input pin of the IPM by the system controller. The effects of control supply power up,

power down and failure on the power device gate drive and fault output are shown.

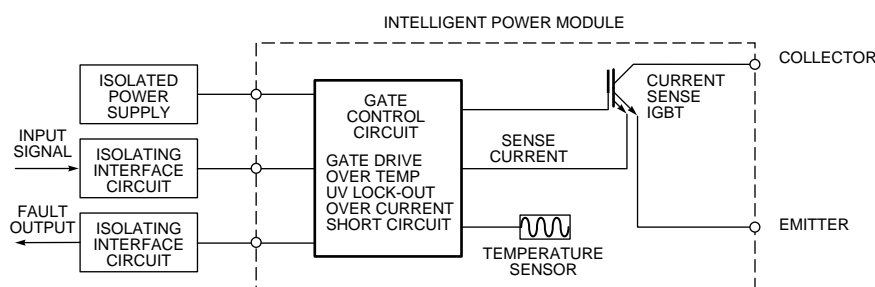
Caution:

1. Application of the main bus voltage at a rate greater than $20V/\mu s$ before the control power supply is on and stabilized may cause destruction of the power devices.
2. Voltage ripple on the control power supply with dv/dt in excess of $5V/\mu s$ may cause a false trip of the UV lock-out.

6.4.3 Over-Temperature Protection

The Intelligent Power Module has a temperature sensor mounted on the isolating base plate near the IGBT chips. If the temperature of the base plate exceeds the over-temperature trip level (OT) the IPMs internal control circuit will protect the power devices by disabling the gate drive and ignoring the control input signal until the over temperature condition has subsided. In six and seven pack modules all three low side devices will be turned off and a low side fault signal will be generated. High side switches are unaffected and can still be turned on and off by the system controller. Similarly, in dual type modules only the low side device is disabled. The fault output will remain as long as the over-temperature condition exists. When the temperature falls below the over-temperature reset level (OT_r), and the control input is high (off-state) the power device will be enabled and normal operation will resume at the next low (on) input signal. Figure 6.16 is a timing diagram showing the operation of the over-

Figure 6.14 IPM Functional Diagram



USING INTELLIGENT POWER MODULES

temperature protection circuit. The over temperature function provides effective protection against overloads and cooling system failures in most applications. However, it does not guarantee that the maximum junction temperature rating of the IGBT chip will never be exceeded. In cases of abnormally high losses such as failure of the system controller to properly regulate current or excessively high switching frequency it is possible for IGBT chip to exceed $T_{j(max)}$ before the base plate reaches the OT trip level.

Caution:
Tripping of the over-temperature protection is an indication of stressful operation. Repetitive tripping should be avoided.

6.4.4 Over-Current Protection

The IPM uses current sense IGBT chips to continuously monitor power device current. If the current through the Intelligent Power Module exceeds the specified overcurrent trip level (OC) for a period longer than $t_{off(OC)}$ the IPMs internal control circuit will protect the power device by disabling the gate drive and generating a fault output signal. The timing of the over-current protection is shown in Figure 6.17. The $t_{off(OC)}$ delay is implemented in order to avoid tripping of the OC protection on short pulses of current above the OC level that are not dangerous for the power device. When an over-cur-

rent is detected a controlled shut-down is initiated and a fault output is generated. The controlled shut-down lowers the turn-off di/dt which helps to control transient voltages that can occur during shut down from high fault currents. Most Intelligent Modules use the two step shutdown depicted in Figure 6.17. In the two step shutdown, the gate voltage is reduced to an

intermediate voltage causing the current through the device to drop slowly to a low level. Then, about 5µs later, the gate voltage is reduced to zero completing the shut down. Some of the large six and seven pack IPMs use an active ramp of gate voltage to achieve the desired reduction in turn off di/dt under high fault currents. The oscillographs in Figure 6.18 illustrate

Figure 6.15 Operation of Under-Voltage Lockout

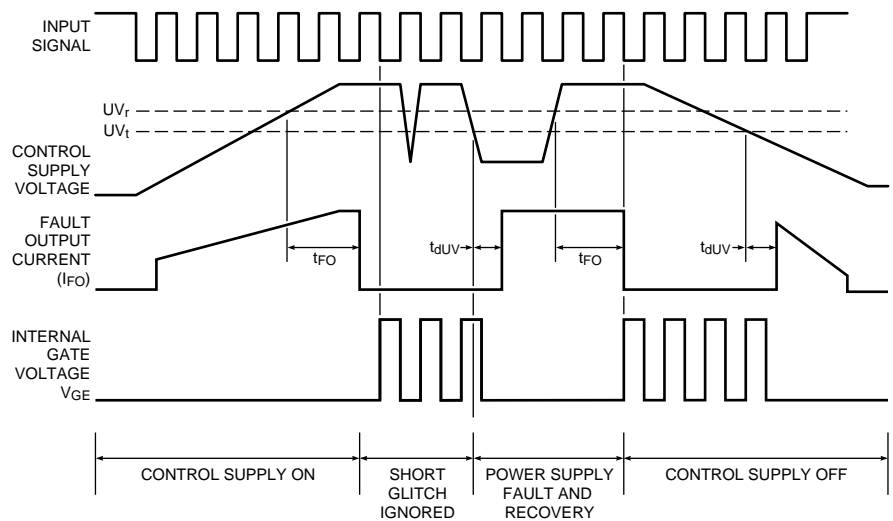
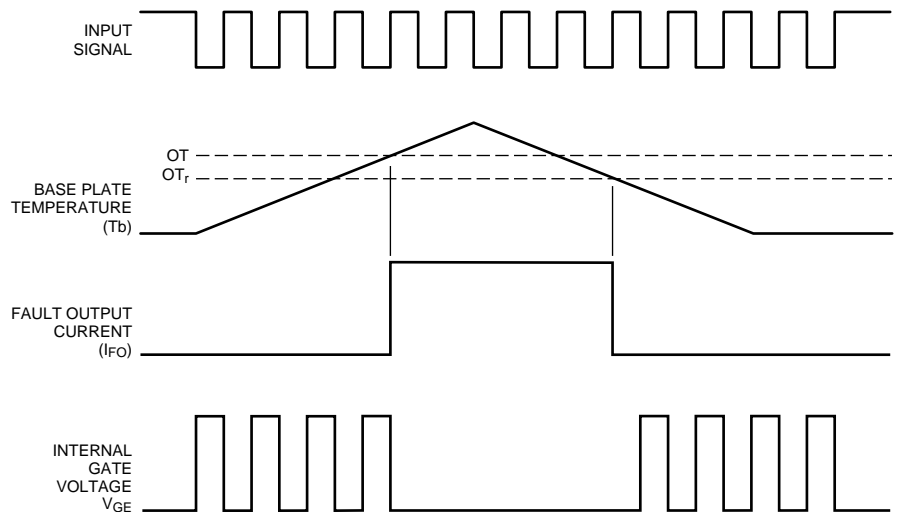


Figure 6.16 Operation of Over-Temperature



USING INTELLIGENT POWER MODULES

the effect of the controlled shut-down (for obtaining the oscillograph in "A" the internal soft shutdown was intentionally deactivated). The IPM uses actual device current measurement to detect all types of over

current conditions. Even resistive and inductive shorts to ground that are often missed by conventional desaturation and bus current sensing protection schemes will be detected by the IPMs current sense IGBTs.

Note:
V-Series IPMs do not have an over-current protection function. Instead a unified short circuit protection function that has a delay like the over current protection described in this section is used.

Figure 6.17 Operation of Over-Current and Short-Circuit Protection

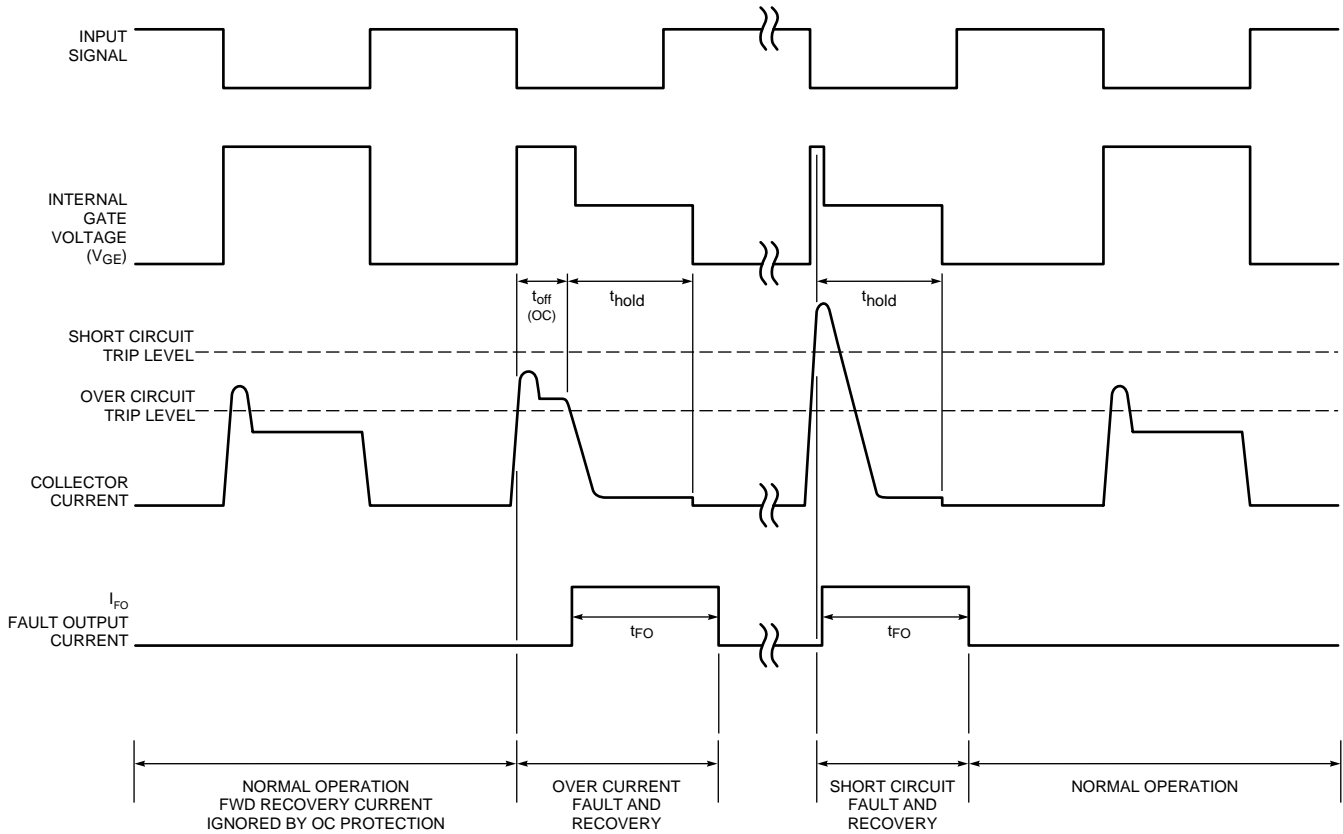
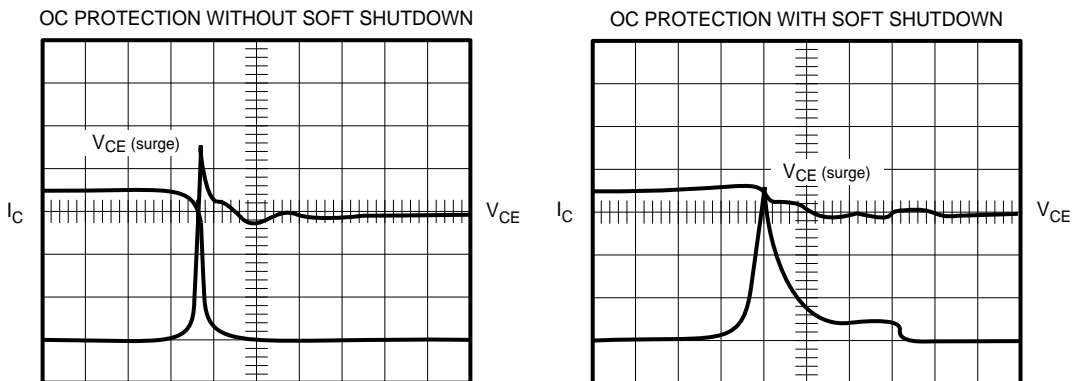


Figure 6.18 OC Operation of PM200DSA060 (I_C : 100A/div; 100V/div; t: 1 μ s/div)



USING INTELLIGENT POWER MODULES

6.4.5 Short Circuit Protection

If a load short circuit occurs or the system controller malfunctions causing a shoot through, the IPMs built in short circuit protection will prevent the IGBTs from being damaged. When the current, through the IGBT exceeds the short circuit trip level (SC), an immediate controlled shutdown is initiated and a fault output is generated. The same controlled shutdown techniques used in the over current protection are used to help control transient voltages during short circuit shut down. The short circuit protection provided by the IPM uses actual current measurement to detect dangerous conditions. This type of protection is faster and more reliable than conventional out-of-saturation protection schemes. Figure 6.17 is a timing diagram showing the operation of the short circuit protection.

To reduce the response time between SC detection and SC shutdown, a real time current control circuit (RTC) has been adopted. The RTC bypasses all but the final stage of the IGBT driver in SC operation thereby reducing the response time to less than 100ns. The oscillographs in Figure 6.19 illustrate the effectiveness of the RTC technique by comparing short circuit operation of second generation IPM (without RTC) and third generation IPM (with RTC). A significant improvement can be seen as the power stress is much lower as the time in short circuit and the magnitude of the short circuit current are substantially reduced.

Note:

The short circuit protection in V-Series IPMs has a delay similar to the third generation over current protection function described in 6.4.4. The need for a quick trip has been eliminated through the use of a new advanced RTC circuit.

Caution:

1. Tripping of the over current and short circuit protection indicates stressful operation of the IGBT. Repetitive tripping must be avoided.
2. High surge voltages can occur during emergency shutdown. Low inductance buswork and snubbers are recommended.

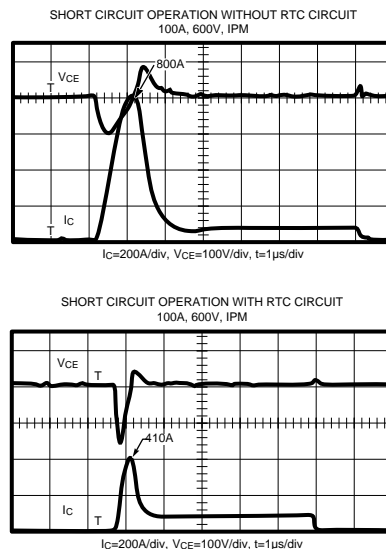
6.5 IPM Selection

There are two key areas that must be coordinated for proper selection of an IPM for a particular inverter application. These are peak current coordination to the IPM overcurrent trip level and proper thermal design to ensure that peak junction temperature is always less than the maximum junction temperature rating (150°C) and that the baseplate temperature remains below the over-temperature trip level.

6.5.1 Coordination of OC Trip

Peak current is addressed by reference to the power rating of the motor. Tables 6.2, 6.3 and 6.4 give recommended IPM types derived from the OC trip level and the peak motor current requirement based on several assumptions for the inverter and motor operation regarding efficiency, power factor, maximum overload, and current ripple. For the purposes of this table, the maximum motor current is taken from the NEC table. This already includes the motor efficiency and power factor appropriate to the particular motor size. Peak inverter current is then calculated using this RMS current, a 200% overload requirement, and a 20% ripple factor. An IPM is then selected which has a minimum overcurrent trip level that is above this calculated peak operating requirement.

Figure 6.19 Waveforms Showing the Effect of the RTC Circuit



MITSUBISHI SEMICONDUCTORS POWER MODULES MOS
USING INTELLIGENT POWER MODULES

Table 6.2 Motor Rating vs. OC Protection (230 VAC Line)

| Motor Rating (HP) | Current | | Applicable IPM | Minimum OC Trip (A) |
|-------------------|--|----------------------------|---|---------------------|
| | NEC Current Rating A(RMS) ^τ | Inverter Peak Current (A)* | | |
| 0.5 | 2.0 | 6.8 | PM10CSJ060 | 12 |
| 0.75 | 2.8 | 9.5 | PM10CSJ060 | 12 |
| 1 | 3.6 | 12.2 | PM15CSJ060 | 18 |
| 1.5 | 5.2 | 17.6 | PM15CSJ060 | 18 |
| 2 | 6.8 | 23 | PM20CSJ060 | 28 |
| 3 | 9.6 | 32 | PM30CSJ060, PM30RSF060 | 39 |
| 5 | 15.2 | 52 | PM50RSA060, PM50RSK060 | 65 |
| 7.5 | 22 | 75 | PM75RSA060, PM75RSK060 | 115 |
| 10 | 28 | 95 | PM75RSA060, PM75RSK060 | 115 |
| 15 | 42 | 143 | PM100CSA060, PM100RSA060 | 158 |
| 20 | 54 | 183 | PM150CSA060, PM150RSA060 | 210 |
| 25 | 68 | 231 | PM200CSA060, PM200RSA060, PM200DSA060 x3 | 310 |
| 30 | 80 | 271 | PM200CSA060, PM200RSA060, PM200DSA060 x3 | 310 |
| 40 | 104 | 353 | PM300DSA060 x3 | 390 |
| 50 | 130 | 441 | PM400DSA060 x3 | 500 |
| 60 | 154 | 523 | PM600DSA060 x3 | 740 |
| 75 | 192 | 652 | PM600DSA060 x3 | 740 |
| 100 | 256 | 869 | PM800HSA060 x6 | 1000 |

^τ - From NEC Table 430-150

* - Inverter peak current is based on 200% overload requirement and a 20% current ripple factor.

Table 6.3 Motor Rating vs. OC Protection (460 VAC Line)

| Motor Rating (HP) | Current | | Applicable IPM | Minimum OC Trip (A) |
|-------------------|--|----------------------------|-----------------------------|---------------------|
| | NEC Current Rating A(RMS) ^τ | Inverter Peak Current (A)* | | |
| 0.5 | 1.0 | 3.4 | PM10RSH120, PM10CZF120 | 15 |
| 0.75 | 1.4 | 4.8 | PM10RSH120, PM10CZF120 | 15 |
| 1 | 1.8 | 6.1 | PM10RSH120, PM10CZF120 | 15 |
| 1.5 | 2.6 | 8.8 | PM10RSH120, PM10CZF120 | 15 |
| 2 | 3.4 | 12 | PM10RSH120, PM10CZF120 | 15 |
| 3 | 4.8 | 16 | PM15RSH120, PM15CZF120 | 22 |
| 5 | 7.6 | 26 | PM25RSB120, PM25RSK120 | 32 |
| 7.5 | 11 | 37 | PM50RSA120 | 59 |
| 10 | 14 | 48 | PM50RSA120 | 59 |
| 15 | 21 | 71 | PM75CSA120, PM75DSA120 x3 | 105 |
| 20 | 27 | 92 | PM75CSA120, PM75DSA120 x3 | 105 |
| 25 | 34 | 115 | PM100CSA120, PM100DSA120 x3 | 145 |
| 30 | 40 | 136 | PM100CSA120, PM100DSA120 x3 | 145 |
| 40 | 52 | 176 | PM150DSA120 x3 | 200 |
| 50 | 65 | 221 | PM200DSA120 x3 | 240 |
| 60 | 77 | 261 | PM300DSA120 x3 | 380 |
| 75 | 96 | 326 | PM300DSA120 x3 | 380 |
| 100 | 124 | 421 | PM400HSA120 x6 | 480 |
| 125 | 156 | 529 | PM600HSA120 x6 | 740 |
| 150 | 180 | 611 | PM600HSA120 x6 | 740 |
| 200 | 240 | 815 | PM800HSA120 x6 | 1060 |
| 250 | 300 | 1020 | PM800HSA120 x6 | 1060 |

^τ - From NEC Table 430-150

* - Inverter peak current is based on 200% overload requirement and a 20% current ripple factor.

USING INTELLIGENT POWER MODULES

Table 6.4 Motor Rating vs. SC Protection for V-Series IPMs

| Motor Rating (HP) | Current | | Applicable IPM | Minimum SC Trip (A) |
|--------------------|--|--|----------------|---------------------|
| | NEC Current Rating A(RMS) [†] | Inverter Peak Current (A) [*] | | |
| 240VAC Line | | | | |
| 10 | 28 | 95 | PM75RVA060 | 115 |
| 15 | 42 | 143 | PM100CVA060 | 158 |
| 20 | 54 | 183 | PM150CVA060 | 210 |
| 30 | 80 | 271 | PM200CVA060 | 310 |
| 40 | 104 | 353 | PM300CVA060 | 396 |
| 50 | 130 | 441 | PM400DVA060 | 650 |
| 75 | 192 | 652 | PM600DVA060 | 1000 |
| 460VAC Line | | | | |
| 10 | 14 | 48 | PM50RVA120 | 59 |
| 20 | 27 | 92 | PM75CVA120 | 105 |
| 30 | 40 | 136 | PM100CVA120 | 145 |
| 40 | 52 | 176 | PM150CVA120 | 200 |
| 50 | 65 | 221 | PM200DVA120 | 240 |
| 75 | 96 | 326 | PM300DVA120 | 380 |

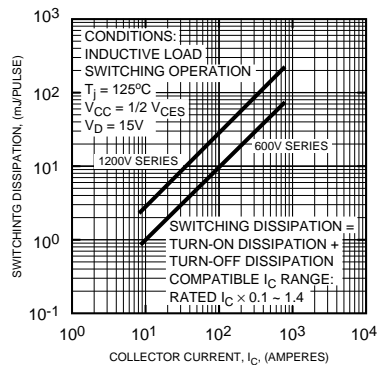
[†] - From NEC Table 430-150

^{*} - Inverter peak current is based on 200% overload requirement and a 20% current ripple factor.

6.5.2 Estimating Losses

Once the coordination of the OC trip with the application requirements has been established the next step is determining the cooling system requirements. Section 3.4 provides a general description of the methodology for loss estimation and thermal system design. Figure 6.20 shows the total switching energy ($E_{SW(on)} + E_{SW(off)}$) versus I_C for all third generation IPMs. Figure 6.21 shows total switching energy versus I_C for V-Series IPMs. A detailed explanation of these curves and their use can be found in Section 3.4.1. Figures 6.22 through 6.34 show simulation results calculating total power loss (switching and conduction) per arm in a sinusoidal output PWM inverter application using V-Series IPMs.

Figure 6.20 Switching Energy vs. I_C for Third Generation IPMs



APPLICABLE TYPES: THIRD-GENERATION IPM
 PM200DSA060, PM300DSA060, PM400DSA060, PM600DSA060,
 PM75DSA120, PM100DSA120, PM150DSA120, PM200DSA120,
 PM300DSA120, PM100CSA060, PM150CSA060, PM200CSA060,
 PM75CSA120, PM100CSA120, PM10CSJ060, PM15CSJ060,
 PM20CSJ060, PM300CSJ060, PM30RSF060, PM50RSA060,
 PM50RSK060, PM75RSA060, PM100RSA060, PM150RSA060,
 PM10RSH120, PM15RSH120, PM25RSB120, PM50RSA120

MITSUBISHI SEMICONDUCTORS POWER MODULES MOS

USING INTELLIGENT POWER MODULES

Figure 6.21

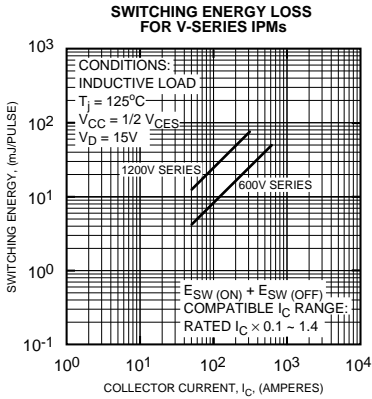


Figure 6.22 Power Loss Simulation of PM75RVA060 (Typ.)

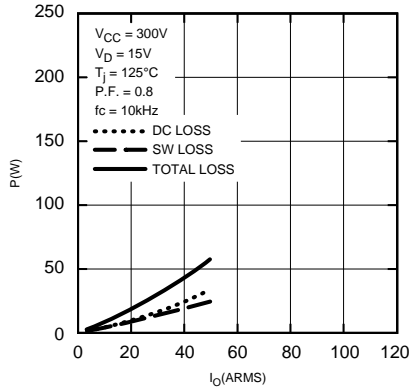


Figure 6.23 Power Loss Simulation of PM100CVA060 (Typ.)

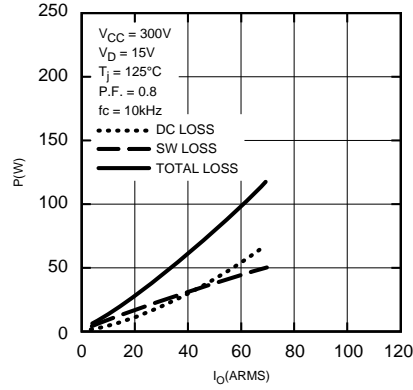


Figure 6.24 Power Loss Simulation of PM150CVA060 (Typ.)

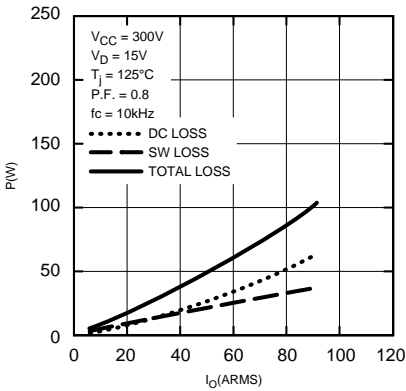


Figure 6.25 Power Loss Simulation of PM200CVA060 (Typ.)

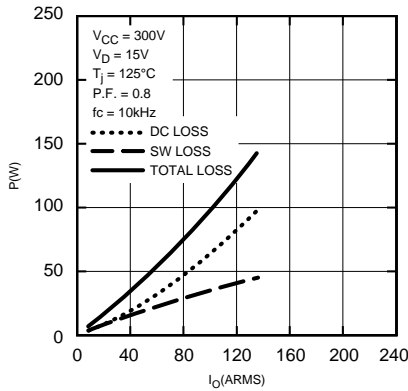


Figure 6.26 Power Loss Simulation of PM300CVA060 (Typ.)

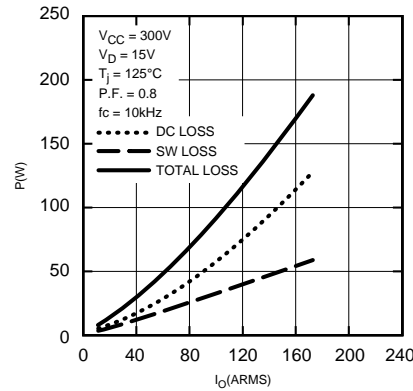


Figure 6.27 Power Loss Simulation of PM400DVA060 (Typ.)

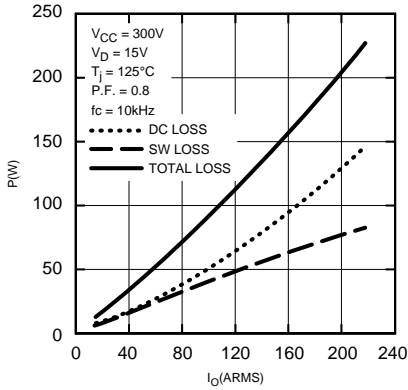


Figure 6.28 Power Loss Simulation of PM600DVA060 (Typ.)

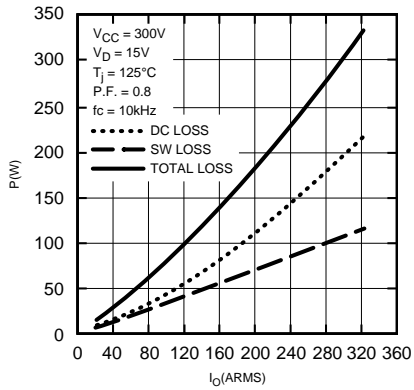
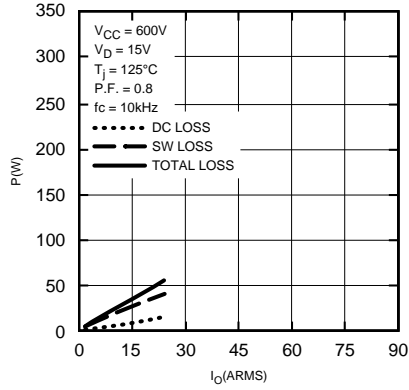


Figure 6.29 Power Loss Simulation of PM50RVA120 (Typ.)



USING INTELLIGENT POWER MODULES

Figure 6.30 Power Loss Simulation of PM75RVA1200 (Typ.)

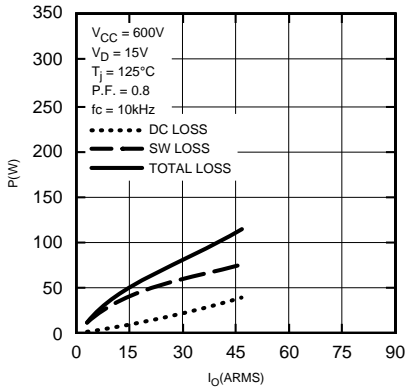


Figure 6.31 Power Loss Simulation of PM100CVA120 (Typ.)

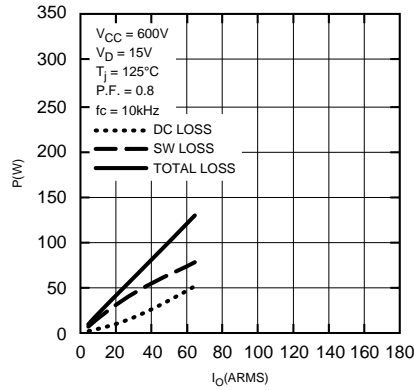


Figure 6.32 Power Loss Simulation of PM150CVA120 (Typ.)

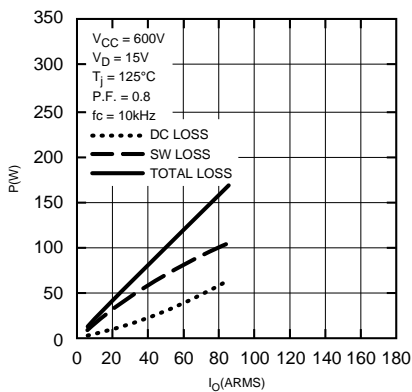


Figure 6.33 Power Loss Simulation of PM200DVA120 (Typ.)

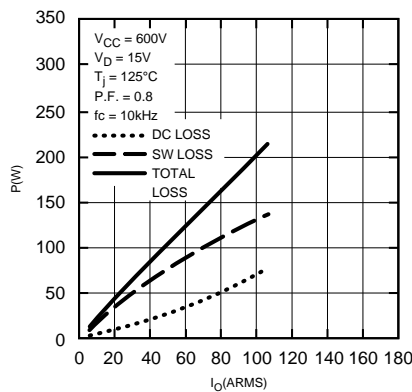
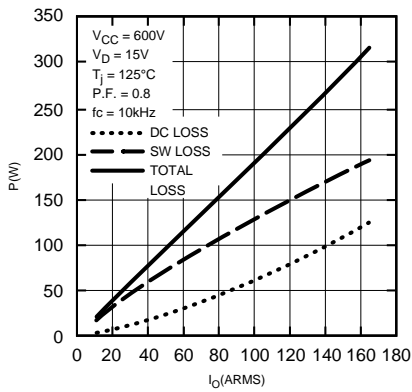


Figure 6.34 Power Loss Simulation of PM300DVA120 (Typ.)



6.6 Controlling the Intelligent Power Module

IPM (Intelligent Power Modules) are easy to operate. The integrated drive and protection circuits require only an isolated power supply and a low level on/off control signal. A fault output is provided for monitoring the operation of the modules internal protection circuits.

6.6.1 The Control Power Supply

Depending on the power circuit configuration of the module one, two, or four isolated power supplies are required by the IPMs internal drive and protection circuits. In high power 3-phase inverters using single or dual type IPMs it is good practice to use six isolated power supplies. In these high current applications each low side device must have its own isolated control power supply in order to avoid ground loop noise problems. The control supplies should be regulated to 15V +/-10% in order to avoid over-voltage damage or false tripping of the under-voltage protection. The supplies should have an isolation voltage rating of at least two times the IPM's VCES rating (i.e. VISO = 2400V for 1200V module). The current that must be supplied by the control power supply is the sum of the quiescent current needed to power the internal control circuits and the current required to drive the IGBT gate.

Table 6.5 summarizes the typical and maximum control power supply current requirements for

USING INTELLIGENT POWER MODULES

third generation Intelligent Power Modules. Table 6.6 summarizes control supply requirements for V-Series IPMs. These tables give control circuit currents for the quiescent (not switching) state and for 20kHz switching. This data is provided in order to help the user design appropriately sized control power supplies.

Power requirements for operating frequencies other than 20kHz can be determined by scaling the frequency dependent portion of the control circuit current. For example, to determine the maximum control circuit current for a PM300DSA120 operating at 7kHz the maximum quiescent control circuit current is subtracted from the maximum 20kHz control circuit current:

$$70\text{mA} - 30\text{mA} = 40\text{mA}$$

40mA is the frequency dependent portion of the control circuit current for 20kHz operation. For 7kHz operation the frequency dependent portion is:

$$40\text{mA} \times (7\text{kHz} \div 20\text{kHz}) = 14\text{mA}$$

To get the total control power supply current required, the quiescent current must be added back:

$$30\text{mA} + 14\text{mA} = 44\text{mA}$$

44mA is the maximum control circuit current required for a PM300DSA120 operating at 7kHz.

Capacitive coupling between primary and secondary sides of isolated control supplies must be minimized as parasitic capacitances in excess of 100pF can cause noise that may trigger

Table 6.5 Control Power Requirements for Third Generation IPMs (V_D = 15V, Duty = 50%) ma

| Type Name | N Side | | | | P Side (Each Supply) | | | |
|---------------------|--------|-----|-------|------|----------------------|------|-------|------|
| | DC | | 20kHz | | DC | | 20kHz | |
| | Typ. | Max | Typ. | Max. | Typ. | Max. | Typ. | Max. |
| 600V Series | | | | | | | | |
| PM10CSJ060 | 18 | 25 | 23 | 32 | 7 | 10 | 8 | 12 |
| PM15CSJ060 | 18 | 25 | 23 | 32 | 7 | 10 | 8 | 12 |
| PM20CSJ060 | 18 | 25 | 24 | 34 | 7 | 10 | 8 | 12 |
| PM30CSJ060 | 18 | 25 | 24 | 34 | 7 | 10 | 9 | 13 |
| PM100CSA060 | 40 | 55 | 78 | 100 | 13 | 18 | 25 | 34 |
| PM150CSA060 | 40 | 55 | 80 | 110 | 13 | 18 | 25 | 38 |
| PM200CSA060 | 40 | 55 | 85 | 120 | 13 | 18 | 27 | 40 |
| PM30RSF060 | 25 | 30 | 32 | 45 | 7 | 10 | 9 | 13 |
| PM50RSA060 | 44 | 60 | 70 | 100 | 13 | 18 | 23 | 32 |
| PM50RSK060 | 44 | 60 | 70 | 100 | 13 | 18 | 23 | 32 |
| PM75RSA060 | 44 | 60 | 75 | 100 | 13 | 18 | 24 | 35 |
| PM100RSA060 | 44 | 60 | 78 | 105 | 13 | 18 | 25 | 36 |
| PM150RSA060 | 52 | 72 | 72 | 113 | 13 | 18 | 26 | 38 |
| PM200RSA060 | 52 | 72 | 85 | 115 | 13 | 18 | 26 | 40 |
| PM200DSA060 | 19 | 26 | 30 | 42 | 19 | 26 | 30 | 42 |
| PM300DSA060 | 19 | 26 | 35 | 48 | 19 | 26 | 35 | 48 |
| PM400DSA060 | 23 | 30 | 40 | 60 | 23 | 30 | 40 | 60 |
| PM600DSA060 | 23 | 30 | 50 | 70 | 23 | 30 | 50 | 70 |
| PM800HSA060 | 23 | 30 | 50 | 70 | - | - | - | - |
| 1200V SERIES | | | | | | | | |
| PM10RSH120 | 25 | 35 | 31 | 44 | 7 | 10 | 9 | 13 |
| PM10CZF120 | 18 | 25 | | | 7 | 10 | 9 | 13 |
| PM15RSH120 | 25 | 35 | 32 | 45 | 7 | 10 | 9 | 13 |
| PM15CZF120 | 18 | 25 | | | 7 | 10 | 9 | 13 |
| PM25RSB120 | 44 | 60 | 60 | 83 | 13 | 18 | 18 | 25 |
| PM25RSK120 | 44 | 60 | 60 | 83 | 13 | 18 | 18 | 25 |
| PM50RSA120 | 44 | 60 | 65 | 90 | 13 | 18 | 19 | 27 |
| PM75CSA120 | 44 | 60 | 60 | 83 | 13 | 18 | 20 | 28 |
| PM100CSA120 | 40 | 55 | 75 | 104 | 13 | 18 | 25 | 35 |
| PM75DSA120 | 13 | 20 | 20 | 28 | 13 | 20 | 20 | 28 |
| PM100DSA120 | 19 | 26 | 30 | 42 | 19 | 26 | 30 | 42 |
| PM150DSA120 | 19 | 26 | 35 | 48 | 19 | 26 | 35 | 48 |
| PM200DSA120 | 23 | 30 | 48 | 67 | 23 | 30 | 48 | 67 |
| PM300DSA120 | 23 | 30 | 50 | 70 | 23 | 30 | 50 | 70 |
| PM400HSA120 | 23 | 30 | 60 | 90 | - | - | - | - |
| PM600JSA120 | 23 | 30 | 60 | 90 | - | - | - | - |
| PM800HSA120 | 30 | 40 | - | - | - | - | - | - |

USING INTELLIGENT POWER MODULES

Table 6.6 V-Series IPM Control Power Supply Current

| Type Name | N Side | | | | P Side (Each Supply) | | | |
|---------------------|--------|-----|-------|------|----------------------|------|-------|------|
| | DC | | 20kHz | | DC | | 20kHz | |
| | Typ. | Max | Typ. | Max. | Typ. | Max. | Typ. | Max. |
| 600V Series | | | | | | | | |
| PM75RVA060 | 44 | 60 | 72 | 94 | 13 | 18 | 21 | 27 |
| PM100CVA060 | 40 | 55 | 68 | 88 | 13 | 18 | 22 | 29 |
| PM150CVA060 | 40 | 55 | 72 | 94 | 13 | 18 | 23 | 30 |
| PM200CVA060 | 40 | 55 | 84 | 110 | 13 | 18 | 28 | 36 |
| PM300CVA060 | 52 | 72 | 130 | 170 | 17 | 24 | 43 | 56 |
| PM400DVA060 | 23 | 30 | 56 | 73 | 23 | 30 | 56 | 73 |
| PM600DVA060 | 23 | 30 | 56 | 73 | 23 | 30 | 56 | 73 |
| 1200V SERIES | | | | | | | | |
| PM50RVA120 | 44 | 60 | 73 | 95 | 13 | 18 | 21 | 27 |
| PM75CVA120 | 40 | 55 | 70 | 92 | 13 | 18 | 24 | 31 |
| PM100CVA120 | 40 | 55 | 80 | 104 | 13 | 18 | 26 | 34 |
| PM150CVA120 | 72 | 100 | 128 | 166 | 24 | 34 | 42 | 55 |
| PM200DVA120 | 37 | 48 | 52 | 68 | 37 | 48 | 52 | 68 |
| PM300DVA120 | 37 | 48 | 52 | 68 | 37 | 48 | 52 | 68 |

the control circuits. An electrolytic or tantalum decoupling capacitor should be connected across the control power supply at the IPMs terminals. This capacitor will help to filter common noise on the control power supply and provide the high pulse currents required by the IPMs internal gate drive circuits. Isolated control power supplies can be created using a variety of techniques. Control power can be derived from the main input line using either a switching power supply with multiple outputs or a line frequency transformer with multiple secondaries. Control power supplies can also be derived from the main logic power supply using DC-to-DC converters. Using a compact DC-to-DC converter for each isolated supply can help to simplify the interface circuit layout. A distributed DC-to-DC converter in which a single oscillator is used to drive several small isolation transformers

can provide the layout advantages of separate DC-to-DC converters at a lower cost.

In order to simplify the design of the required isolated power supplies, Mitsubishi has developed two DC-to-DC converter modules to work with the IPMs. The M57120L is a high input voltage step down converter. When supplied with 113 to 400VDC the M57120L will produce a regulated 20VDC output. The 20VDC can then be connected to the M57140-01 to produce four isolated 15VDC outputs to power the IPMs control circuits. The M57140-01 can also be used as a stand alone unit if 20VDC is available from another source such as the main logic power supply. Figure 6.35 shows an isolated interface circuit for a seven pack IPM using M57140-01. Figure 6.36 shows a complete high input voltage isolated power supply circuit for a dual

type intelligent power module.

Caution:

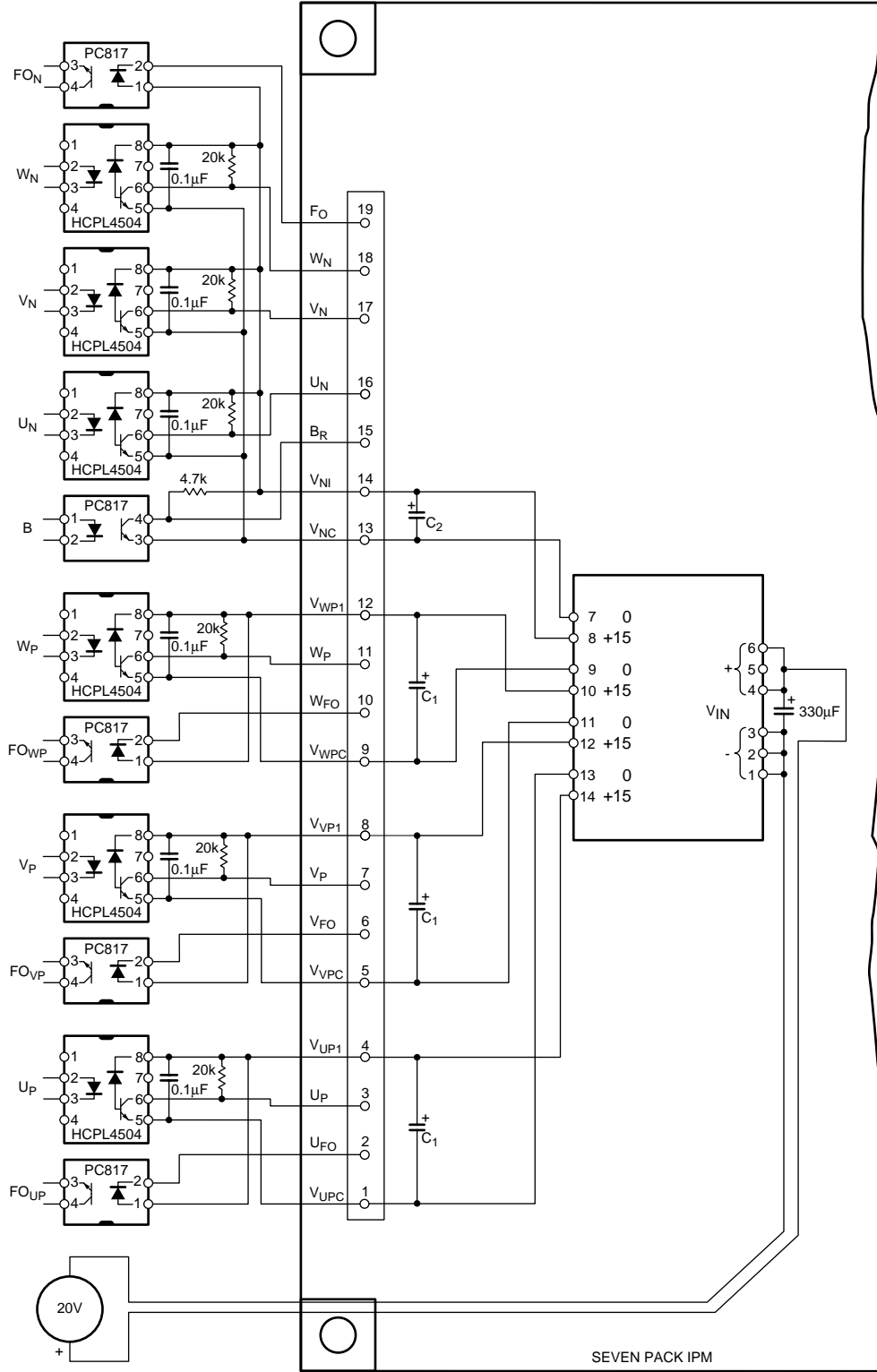
Using bootstrap techniques is not recommended because the voltage ripple on VD may cause a false trip of the undervoltage protection in certain inverter PWM modes.

6.6.2 Interface Circuit Requirements

The IGBT power switches in the IPM are controlled by a low level input signal. The active low control input will keep the power devices off when it is held high. Typically the input pin of the IPM is pulled high with a resistor connected to the positive side of the control power supply. An ON signal is then generated by pulling the control input low. The fault output is an open collector with its maximum sink current internally limited. When a fault condition occurs the open collector device turns on allowing the fault output to sink current from the positive side of the control supply. Fault and on/off control signals are usually transferred to and from the system controller using isolating interface circuits. Isolating interfaces allow high and low side control signals to be referenced to a common logic level. The isolation is usually provided by optocouplers. However, fiber optics, pulse transformers, or level shifting circuits could be used. The most important consideration in interface circuit design is layout. Shielding and careful routing of printed circuit wiring is necessary in order to avoid coupling of dv/dt noise into control circuits. Parasitic capacitance between high side

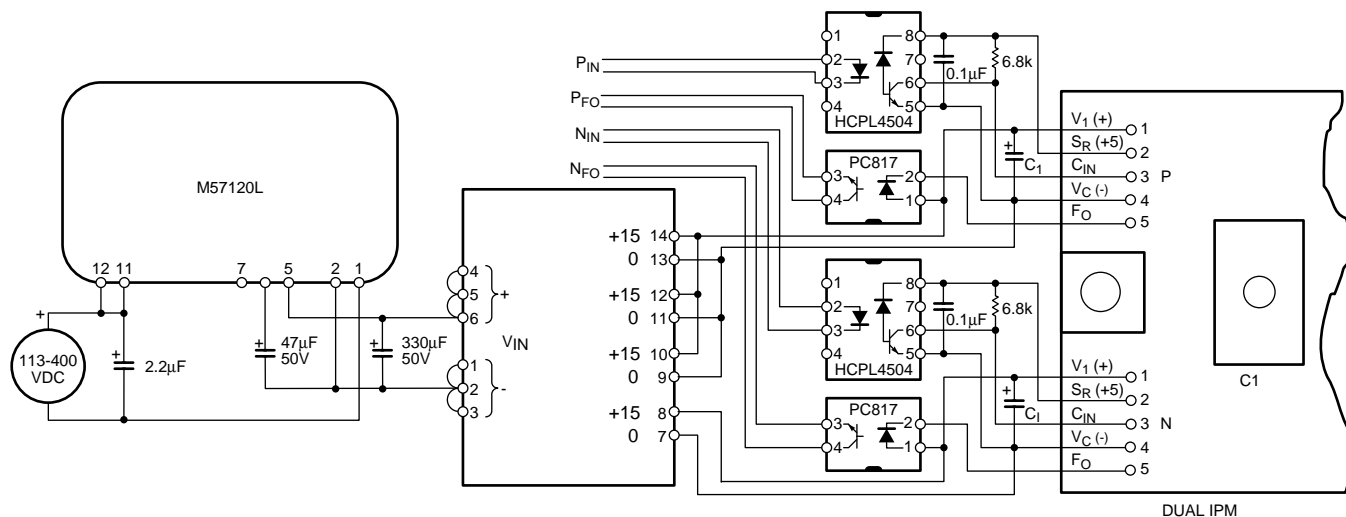
USING INTELLIGENT POWER MODULES

Figure 6.35 Isolated Interface Circuit for Seven-Pack IPMs



NOTE: FOR C1 AND C2 SEE SECTION 6.6.3

Figure 6.36 Isolated Interface Circuit for Dual Intelligent Power Modules



interface circuits, high and low side interface circuits, or primary and secondary sides of the isolating devices can cause noise problems. Careful layout of control power supply and isolating circuit wiring is necessary. The following is a list of guidelines that should be followed when designing interface circuits. Figure 6.37 shows an example interface circuit layout for dual type IPMs. Figure 6.38 shows an example interface circuit layout for a V-Series IPMs. The shielding and printed circuit routing techniques used in this example are intended to illustrate a typical application of the layout guidelines.

INTERFACE CIRCUIT LAYOUT GUIDELINES

I. Maintain maximum interface isolation. Avoid routing printed circuit board traces from primary and secondary sides of the isolation device near to or above and below each other. Any layout that increases the primary to secondary capacitance of the isolating interface can cause noise problems.

- II. Maintain maximum control power supply isolation. Avoid routing printed circuit board traces from UP, VP, WP, and N side supplies near to each other. High dv/dts exist between these supplies and noise will be coupled through parasitic capacitances. If isolated power supplies are derived from a common transformer interwinding capacitance should be minimized.
- III. Keep printed circuit board traces between the interface circuit and IPM short. Long traces have a tendency to pick up noise from other parts of the circuit.
- IV. Use recommended decoupling capacitors for power supplies and optocouplers. Fast switching IGBT power circuits generate dv/dt and di/dt noise. Every precaution should be taken to protect the control circuits from coupled noise.
- V. Use shielding. Printed circuit board shield layers are helpful

for controlling coupled dv/dt noise. Figure 6.37 shows an example of how the primary and secondary sides of the isolating interface can be shielded.

- VI. High speed optocouplers with high common mode rejection (CMR) should be used for signal input:

$$t_{PLH}, t_{PHL} < 0.8\mu s$$

$$CMR > 10kV/\mu s$$

$$@ V_{CM} = 1500V$$

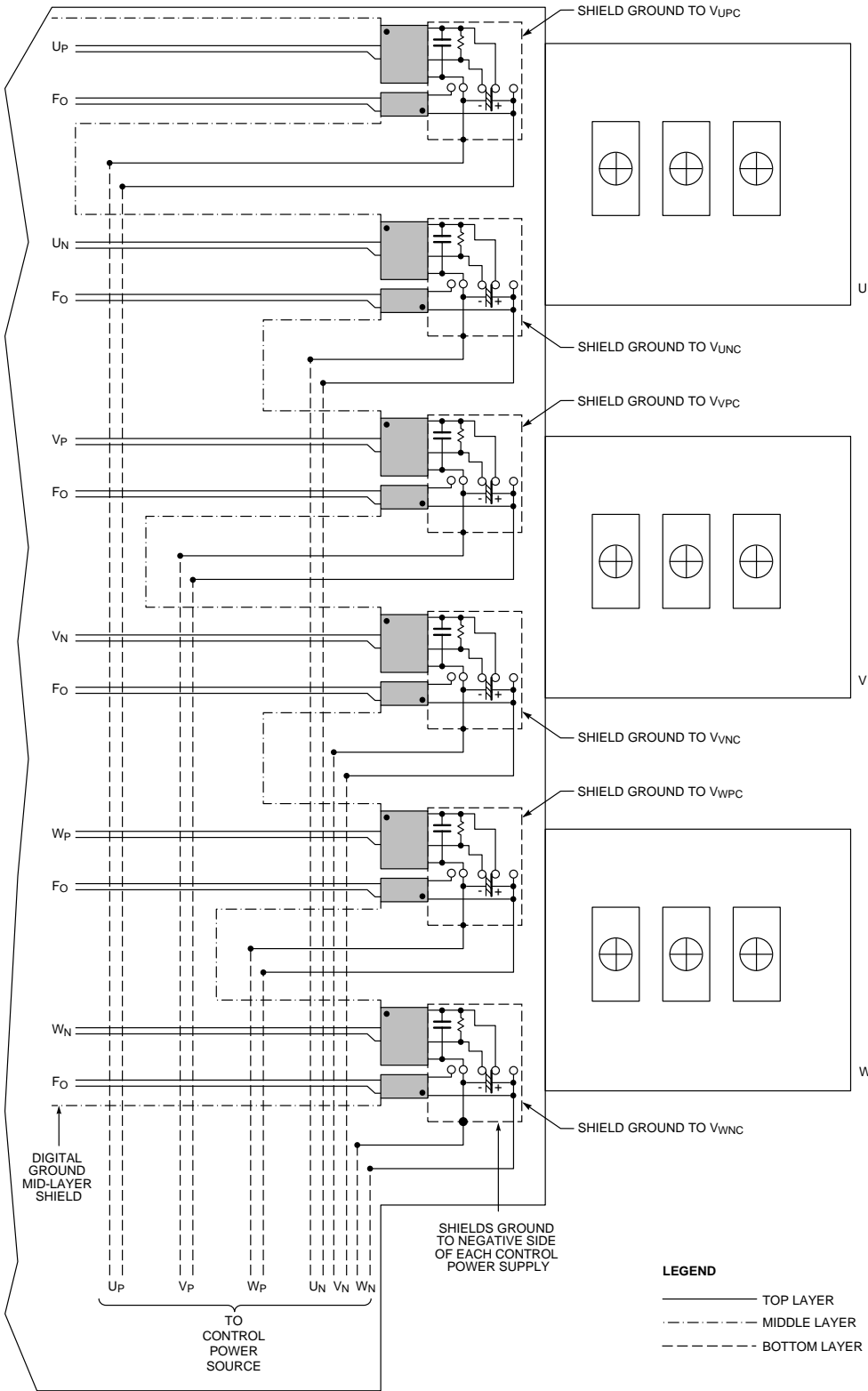
Appropriate optocoupler types are HCPL 4503, HCPL 4504 (Hewlett Packard) and PS2041 (NEC). Usually high speed optos require a 0.1µF decoupling capacitor close to the opto.

- VII. Select the control input pull-up resistor with a low enough value to avoid noise pick-up by the high impedance IPM input and with a high enough value that the high speed optotransistor can still pull the IPM safely below the recommended maximum $V_{CIN(on)}$.

MITSUBISHI SEMICONDUCTORS POWER MODULES MOS

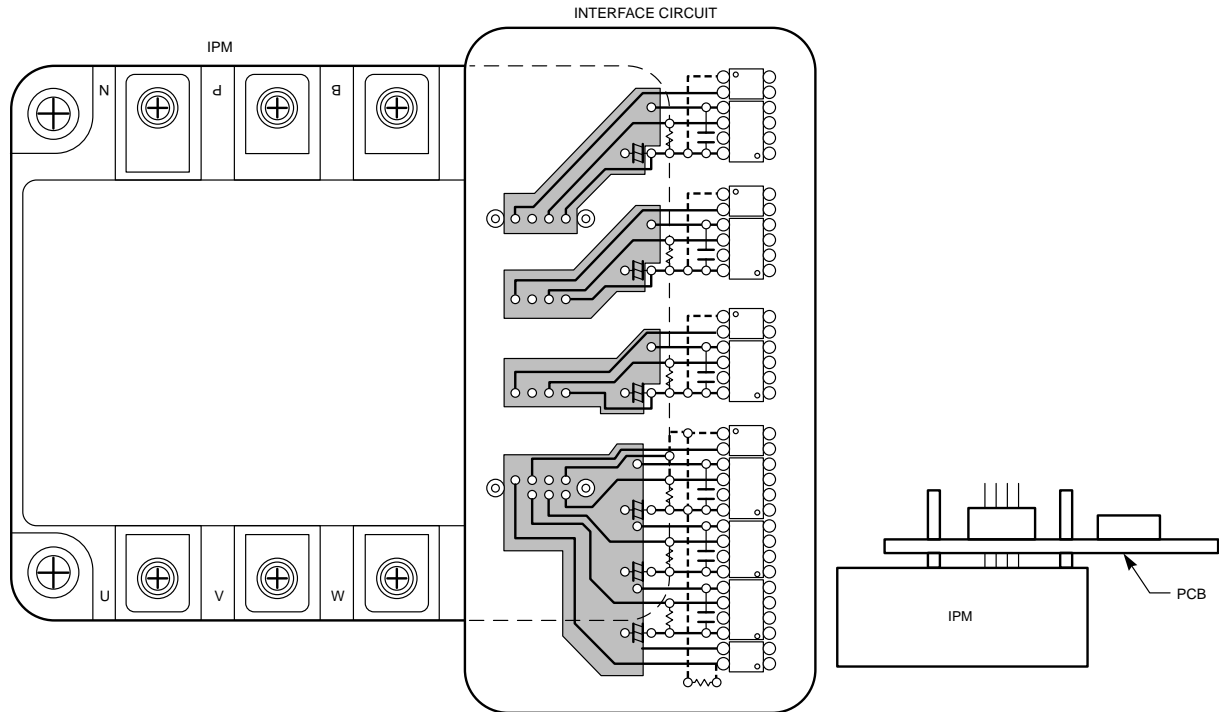
USING INTELLIGENT POWER MODULES

Figure 6.37 Interface Circuit Layout Example for Dual IPMs



USING INTELLIGENT POWER MODULES

Figure 6.38 Interface Circuit Layout for a V-Series IPMs



VIII. If some IPM switches are not used in actual application their control power supply must still be applied. The related signal input terminals should be pulled up by resistors to the control power supply (V_D or V_{SXR}) to keep the unused switches safely in off-state.

IX. Unused fault outputs must be tied high in order to avoid noise pick up and unwanted activation of internal protection circuits. Unused fault outputs should be connected directly to the +15V of local isolated control power supply.

6.6.3 Example Interface Circuits

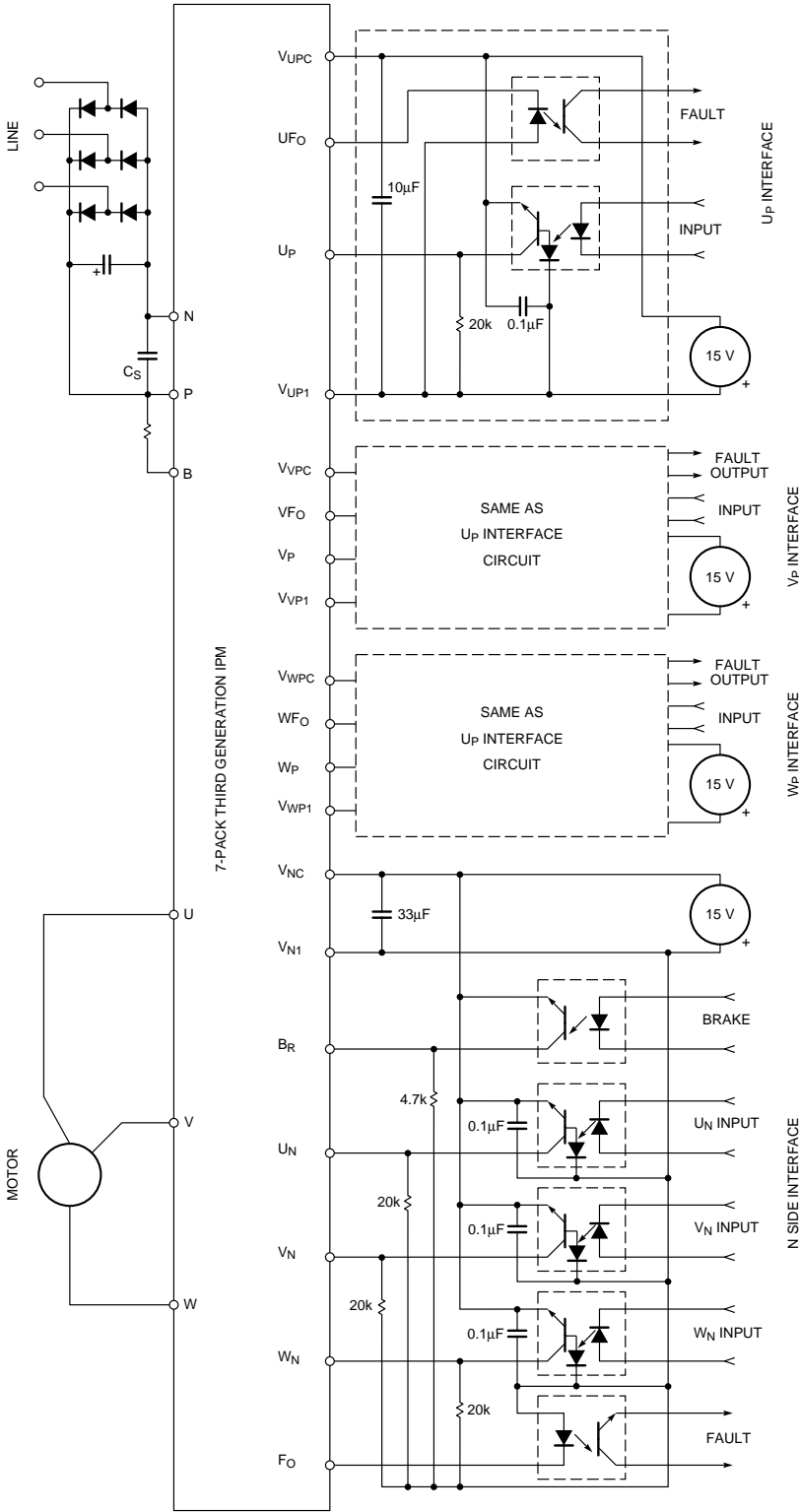
IPM (Intelligent Power Modules) are designed to use optocoupled transistors for control input and fault output interfaces. In most applications optocouplers will provide

a simple and inexpensive isolated interface to the system controller. Figures 6.39 through 6.43 show example interface circuits for the four IPM power circuit configurations. These circuits use two types of optocoupled transistors. The control input on/off signals are transferred from the system controller using high speed optocoupled transistors. Usually high speed optos require a $0.1\mu\text{F}$ film or ceramic decoupling capacitor connected near their V_{CC} and GND pins. The value of the control input pull up resistor is selected low enough to avoid noise pick up by the high impedance input and high enough so that the high speed optotransistor with its relatively low current transfer ratio can still pull the input low enough to assure turn on. The circuits shown use a Hewlett Packard HCPL-4504 optotransistor. This opto was chosen mainly for its high common mode transient immunity

of $15,000\text{V}/\mu\text{s}$. For reliable operation in IGBT power circuits optocouplers should have a minimum common mode noise immunity of $10,000\text{V}/\mu\text{s}$. Low speed optocoupled transistors can be used for the fault output and brake input. Slow optos have the added advantages of lower cost and higher current transfer ratios. The example interface circuits use a Sharp PC817 low speed optocoupled transistor for the transfer of brake and fault signals. Like most low speed optos the PC817 does not have internal shielding. Some switching noise will be coupled through the opto. An RC filter with a time constant of about 10ms can be added to the opto's output to remove this noise. The IPMs 1.5ms long fault output signal will be almost unaffected by the addition of this filter. When designing interface circuits always follow the interface circuit layout guidelines given in Section 6.6.2.

MITSUBISHI SEMICONDUCTORS POWER MODULES MOS
USING INTELLIGENT POWER MODULES

Figure 6.39 Interface Circuit for Seven-Pack IPMs



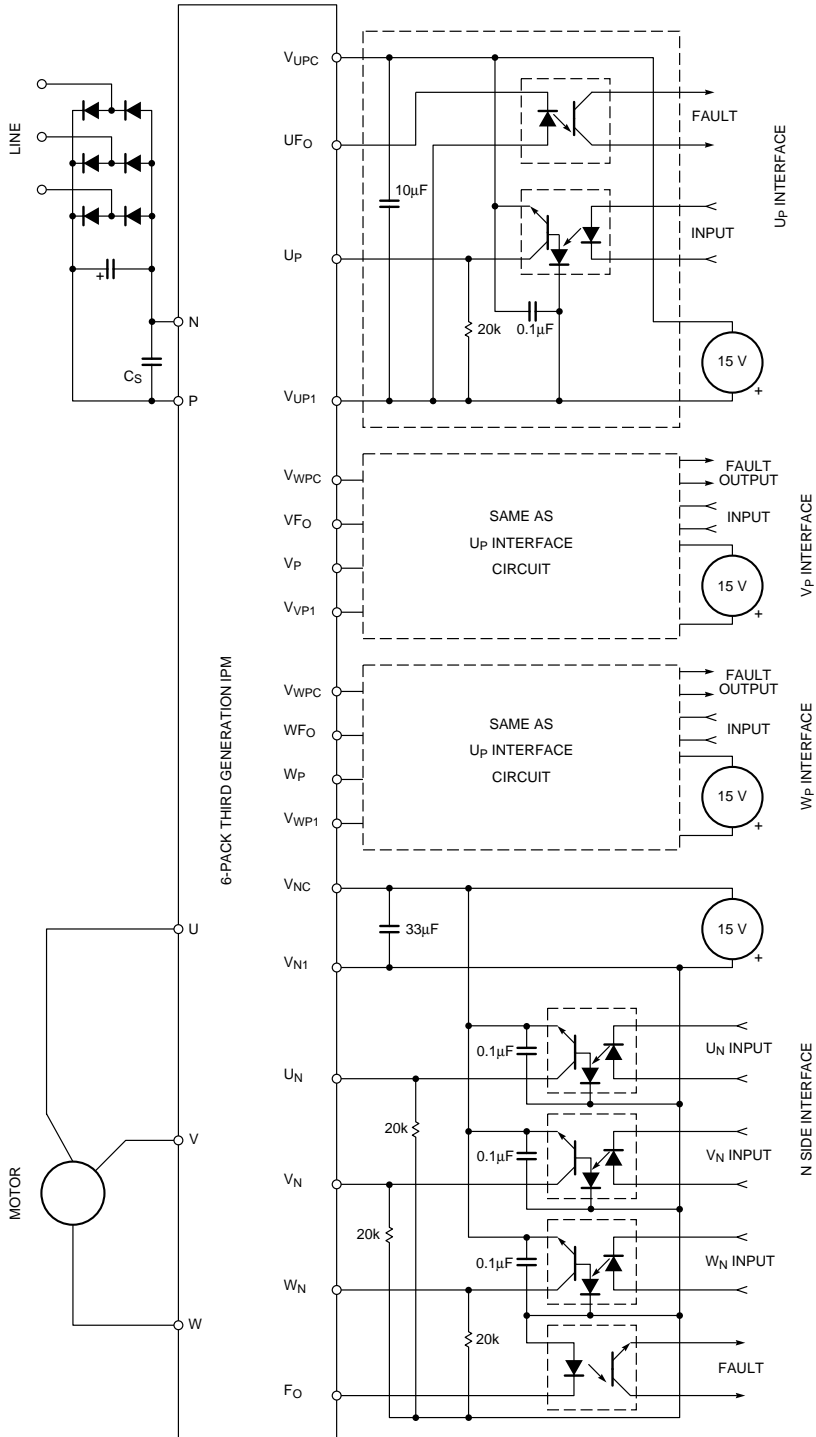
| Applicable Types | Rated Current (Amps) | Decoupling Capacitor (C _s) |
|--|----------------------|--|
| 600V Modules | | |
| PM30RSF060 | 30 | 0.3µF |
| PM50RSK060 | 55 | 0.47µF |
| PM50RSA060 | 50 | 0.47µF |
| PM75RSA060, PM75RSK060, PM75RVA060 | 75 | 1.0µF |
| PM100RSA060 | 100 | 1.0µF |
| PM150RSA060 | 150 | 1.5µF |
| PM200RSA060 | 200 | 2.0µF |
| 1200V Modules | | |
| PM10RSH120 | 10 | 0.1µF |
| PM15RSH120 | 15 | 0.1µF |
| PM25RSB120, PM25RSK120 | 25 | 0.22µF |
| PM50RSA120, PM50RVA120 | 50 | 0.47µF |

NOTE: If high side fault outputs are not used, they must be connected to the +15V of the local power supply.



MITSUBISHI SEMICONDUCTORS POWER MODULES MOS
USING INTELLIGENT POWER MODULES

Figure 6.40 Interface Circuit for Six-Pack IPMs

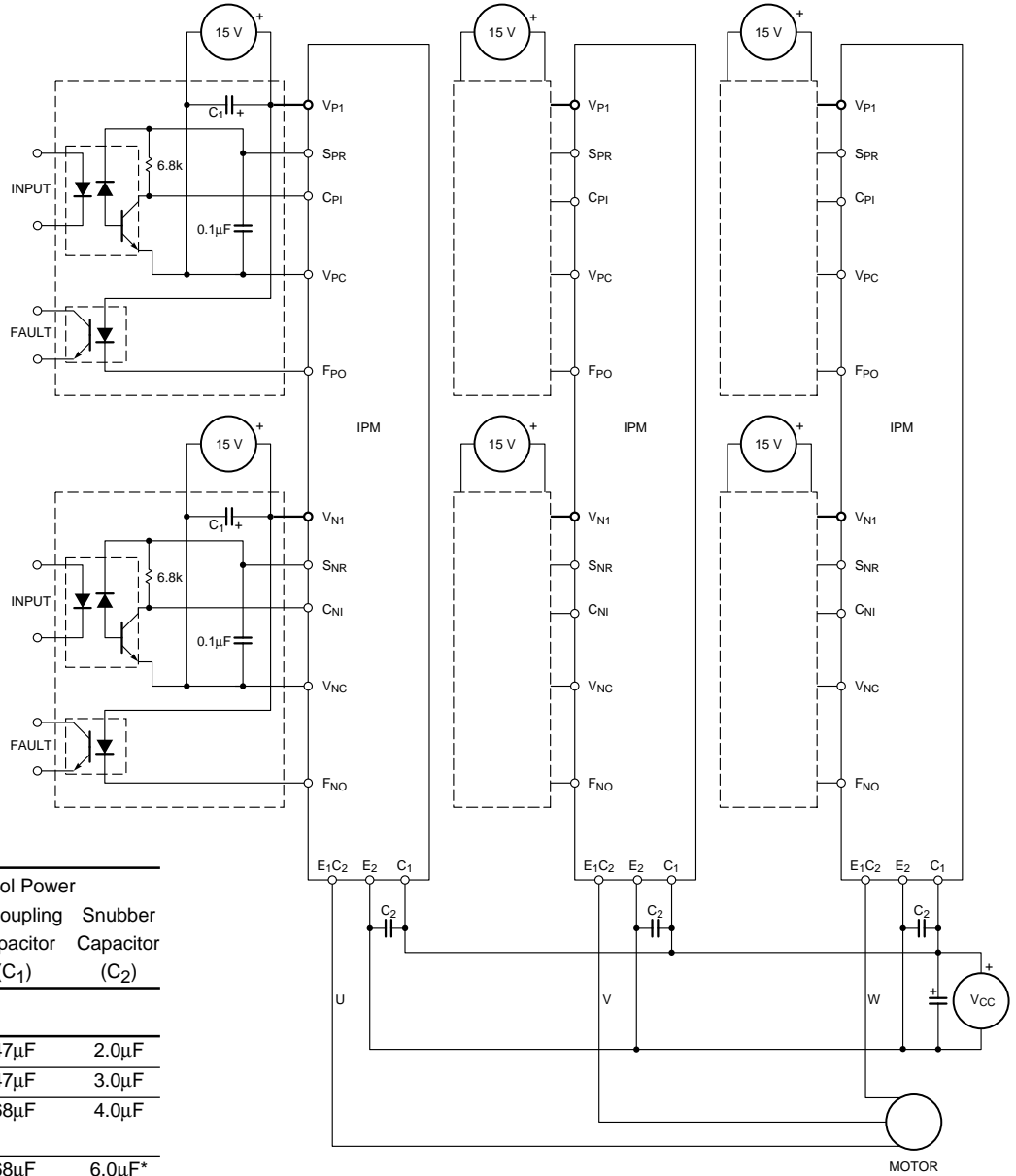


| Applicable Types | Rated Current (Amps) | Decoupling Capacitor (C _S) |
|-----------------------------|----------------------|--|
| 600V Modules | | |
| PM10CSJ060 | 10 | 0.1μF |
| PM15CSJ060 | 15 | 0.1μF |
| PM20CSJ060 | 20 | 0.1μF |
| PM30CSJ060 | 30 | 0.3μF |
| PM100CSA060, PM100CVA060 | 100 | 1.0μF |
| PM150CSA060, PM150CVA060 | 150 | 1.5μF |
| PM200CSA060, PM200CVA060 | 200 | 2.2μF |
| PM300CVA060 | 300 | 3.0μF |
| 1200V Modules | | |
| PM75CSA120, PM75CVA120 | 75 | 1.0μF |
| PM100CSA120, PM100CVA120 | 100 | 1.0μF |
| PM150CVA120 | 150 | 1.5μF |

NOTE: Unused fault outputs must be connected to the +15V of the local control supply.

USING INTELLIGENT POWER MODULES

Figure 6.41 Interface Circuit for Dual IPMs



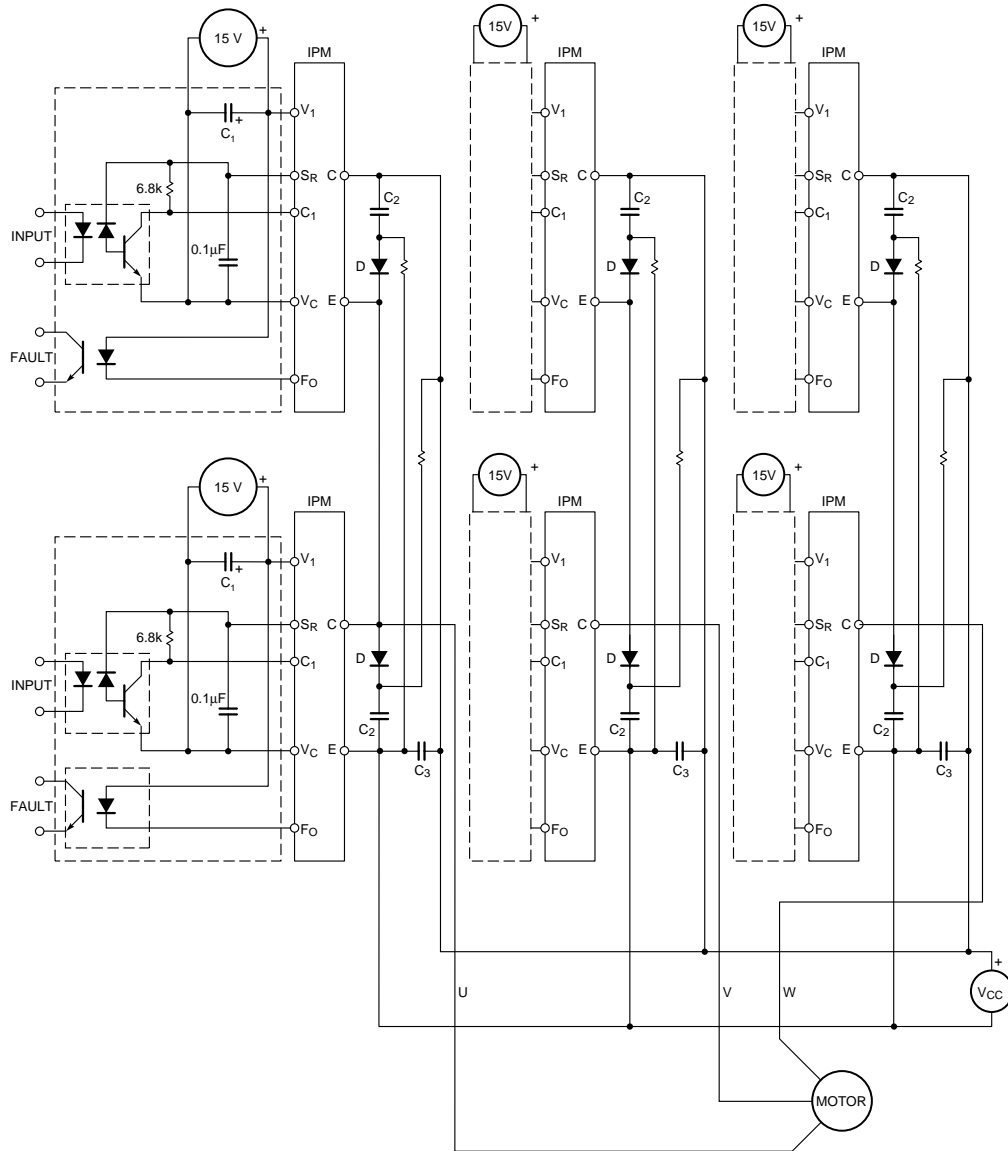
| Applicable Types | Control Power | | |
|--------------------------|----------------------|--|-------------------------------------|
| | Rated Current (Amps) | Decoupling Capacitor (C ₁) | Snubber Capacitor (C ₂) |
| 600V Modules | | | |
| PM200DSA060 | 200 | 47µF | 2.0µF |
| PM300DSA060 | 300 | 47µF | 3.0µF |
| PM400DSA060, PM400DVA060 | 400 | 68µF | 4.0µF |
| PM600DSA060, PM600DVA060 | 600 | 68µF | 6.0µF* |
| 1200V Modules | | | |
| PM75DSA120 | 75 | 22µF | 0.68µF |
| PM100DSA120 | 100 | 47µF | 1.5µF |
| PM150DSA120 | 150 | 47µF | 2.0µF |
| PM200DSA120, PM200DVA120 | 200 | 68µF | 3.0µF |
| PM300DSA120, PM300DVA120 | 300 | 68µF | 5.0µF |

*Depending on maximum DC link voltage and main circuit layout, an RCDi clamp may be needed. (see Section 3.3)

MITSUBISHI SEMICONDUCTORS POWER MODULES MOS

USING INTELLIGENT POWER MODULES

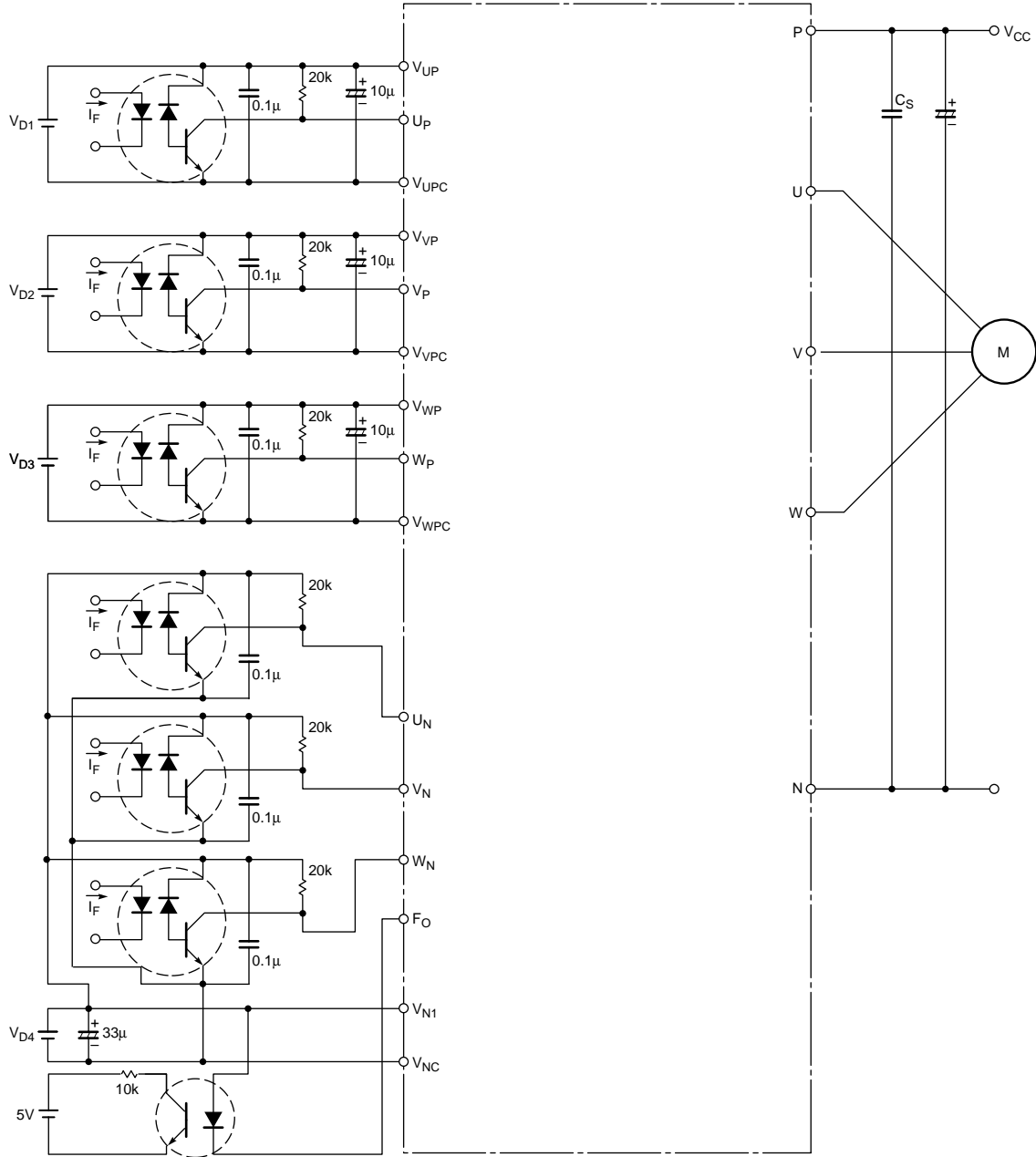
Figure 6.42 Interface Circuit for Single IPMs



| Applicable Types | Control Power | | Main Bus | | Snubber Diode |
|----------------------|----------------------|---------------------------|------------------------|---------------------------|-----------------------------|
| | Rated Current (Amps) | Decoupling Capacitor (C1) | Snubber Capacitor (C2) | Decoupling Capacitor (C3) | |
| 600V Modules | | | | | |
| PM800HSA060 | 800 | 68µF | 3.0µF | 6.0µF | RM50HG-12S (2 pc. parallel) |
| 1200V Modules | | | | | |
| PM400HSA120 | 400 | 68µF | 1.5µF | 4.0µF | RM25HG-24S |
| PM600HSA120 | 600 | 68µF | 2.0µF | 6.0µF | RM25HG-24S (2 pc. parallel) |
| PM800HSA120 | 800 | 68µF | 3.0µF | 6.0µF | RM25HG-24S (3 pc. parallel) |

MITSUBISHI SEMICONDUCTORS POWER MODULES MOS
USING INTELLIGENT POWER MODULES

Figure 6.43 Interface Circuit for PM10CZF120 and PM15CZF120



MITSUBISHI SEMICONDUCTORS POWER MODULES MOS
USING INTELLIGENT POWER MODULES

6.6.4 Connecting the Interface Circuit

The input pins of Mitsubishi Intelligent Power Modules are designed to be connected directly to a printed circuit board. Noise pick up can be minimized by building the interface circuit on the PCB near the input pins of the module. Low power modules have tin plated control and power pins that are designed to be soldered directly to the PCB. Higher power modules have gold plated pins that are designed to be connected to the PCB using an inverse mounted header receptacle. An example of this connection for a dual type IPM is shown in Figure 6.44. This connection technique can also be adapted to large six and seven pack modules. Table 6.7 shows the suggested connection method and connector for each Third Generation IPM.

Table 6.8 shows the suggested connection method and connector for V-Series IPMs. Figure 6.45 shows the PCB layout for V-Series six and seven pack connector.

Figure 6.44 Connection of the Interface Circuit

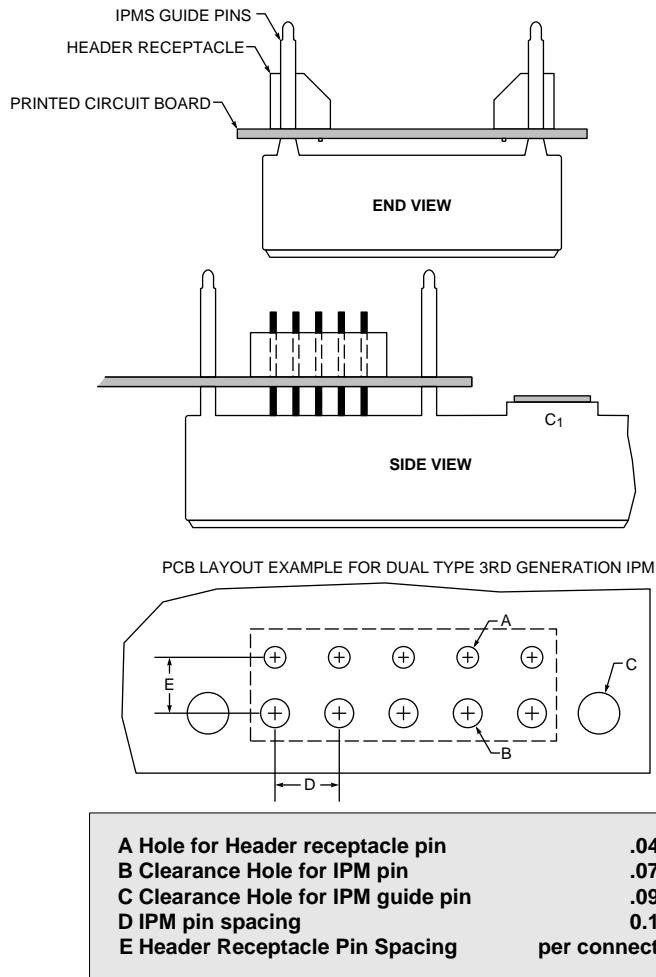


Table 6.7 Third Generation IPM Connection Methods

| Third Generation Intelligent Power Module Type | Connection Method |
|---|--|
| PM10CSJ060, PM15CSJ060, PM20CSJ060, PM30CSJ060, PM30RSF060, PM50RSK060, PM10RSH120, PM15RSH120 | Solder to PCB |
| PM50RSA060, PM75RSA060, PM100CSA060, PM100RSA060, PM150CSA060, PM150RSA060, PM200CSA060, PM25RSB120, PM50RSA120, PM75CSA120, PM100CSA120 | 31 Position 2mm Inverse Header Receptacle Hirose P/N: DF10-31S-2DSA (59) |
| PM200DSA060, PM300DSA060, PM400DSA060, PM600DSA060, PM75DSA120, PM100DSA120, PM150DSA120, PM200DSA120, PM300DSA120, PM400HSA120, PM600HSA120 | 5 Position 2.54mm (0.1") Inverse Header Receptacle Method P/N: 1000-205-2105 Hirose P/N: MDF7-5S-2.54DSA |

USING INTELLIGENT POWER MODULES

6.6.5 Dead Time (t_{dead})

In order to prevent arm shoot through a dead time between high and low side input ON signals is required to be included in the system control logic. Two different values are specified on the datasheet:

- A. t_{dead} measured directly on the IPM input terminals
- B. t_{dead} related to optocoupler input signals using the recommended application circuit

The specified type B dead time is related to standard high speed optocouplers. (See Section 6.6.2) By using specially selected

optocouplers with narrow distribution of switching times the required type B dead time could be reduced.

6.6.6 Using the Fault Signal

In order to keep the interface circuits simple the IPM uses a single on/off output to alert the system controller of all fault conditions. The system controller can easily determine whether the fault signal was caused by an over temperature or over current/short circuit by examining its duration. Short circuit and over current condition fault signals will be t_{FO} (nominal 1.5ms) in duration. An over temperature fault signal will be much longer. The over temperature

fault starts when the base plate temperature exceeds the OT level and does not reset until the base plate cools below the OT_r level. Typically this takes tens of seconds.

Note:

Unused fault outputs must be properly terminated by connecting them to the +15V on the local control power supply. Failure to properly terminate unused fault outputs may result in unexpected tripping of the modules internal protection.

Figure 6.45 PCB Layout for V-Series Connector

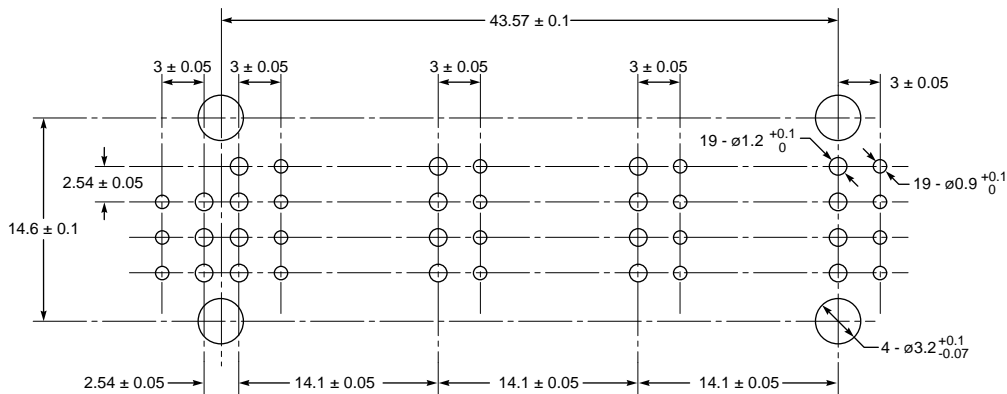


Table 6.8 V-Series IPM Connection Methods

| V-Series Intelligent Power Module Type | Connection Method |
|--|---|
| PM75RVA060, PM100CVA060, PM150CVA060, PM200CVA060, PM300CVA060, PM50RVA120, PM75CVA120, PM100CVA120, PM150CVA120 | 19 Position, 0.1" Compound Inverse Header Receptacle, Hirose Part # MDF92-19S-2.54DSA |
| PM400DVA060, PM600DVA060, PM200DVA120, PM300DVA120 | 5 Position, 0.1" (2.54mm) Inverse Header Receptacle, Hirose Part # MDF7-5S-2.54DSA |

6.7 IPM Inverter Example

The IPMs integrated intelligence greatly simplifies inverter design. The built in protection circuits allow maximum utilization of power device capability without compromising reliability. Figure 6.46 shows a complete inverter constructed using dual type IPMs. Input common mode noise filtering and MOV surge suppression helps to protect the input rectifier and IPMs from line transients. The main power bus is constructed using laminated plates in order to minimize parasitic inductance. Low inductance bus designs are covered in more detail in Sections 3.2 and 3.3. An example of the mechanical layout of the inverter is shown in Figure 6.47. The IPMs must be mounted on a heatsink with suitable cooling capabilities. Thermal design and power loss estimation is covered in Section 3.4. Mitsubishi offers a complete line-up of diode modules that are ideal for use as the input bridge in inverter applications.

Figure 6.46 IPM Inverter System

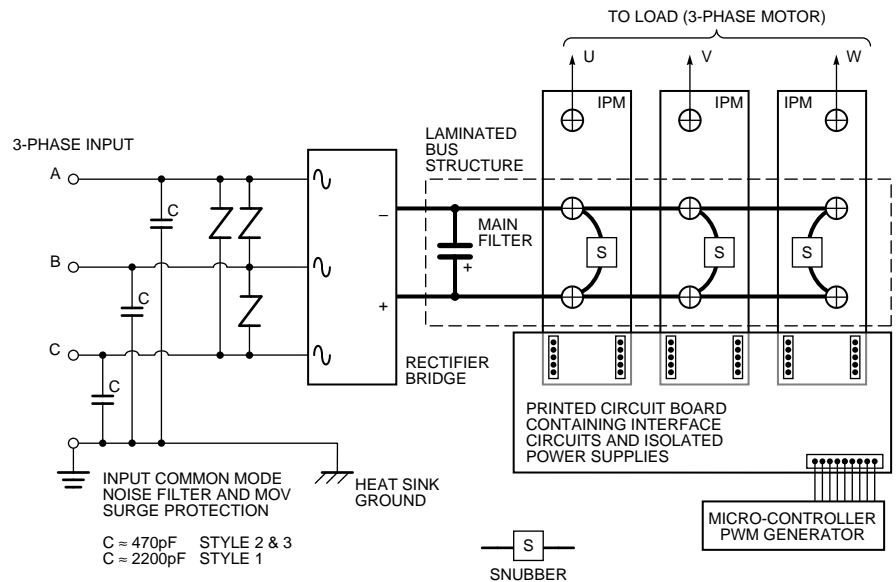
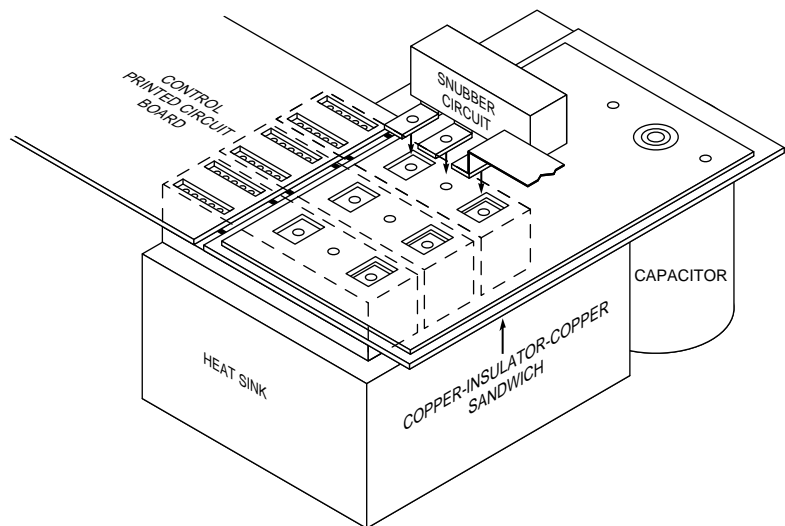


Figure 6.47 Power Circuit Layout for IPMs



USING INTELLIGENT POWER MODULES

6.8 Handling Precautions for Intelligent Power Modules

Electrical Considerations:

- I. Apply proper control voltages and input signals before static testing.
- II. Carefully check wiring of control voltage sources and input signals. Miswiring may destroy the integrated gate control circuit.
- III. When measuring leakage current always ramp the curve tracer voltage up from zero. Ramp voltage back down before disconnecting the device. Never apply a voltage greater than the V_{CES} rating of the device.
- IV. When measuring saturation voltage low inductance test fixtures must be used. Inductive surge voltages can exceed device ratings.

Mechanical Considerations:

- I. Avoid mechanical shock. The module uses ceramic isolation that can be cracked if the module is dropped.
- II. Do not bend the power terminals. Lifting or twisting the power terminals may cause stress cracks in the copper.
- III. Do not over torque terminal or mounting screws. Maximum torque specifications are provided in device data sheets.
- IV. Avoid uneven mounting stress. A heatsink with a flatness of 0.001"/1" or better is recommended. Avoid one sided tightening stress. Figure 6.48 shows the recommended torquing order for mounting screws. Uneven mounting can cause the modules ceramic isolation to crack.

Thermal Considerations:

- I. Do not put the module on a hot plate. Externally heating the module's base plate at a rate greater than 15°C/min. will cause thermal stress that may damage the module.
- II. When soldering to the signal pins and fast on terminals avoid excessive heat. The soldering time and temperature should not exceed 230°C for 5 seconds.
- III. Maximize base plate to heatsink contact area for good heat transfer. Use a thermal interface compound such as white silicon grease. The heatsink should have a surface finish of 64 microinches or less.

Figure 6.48 Mounting Screws Torque Order

