

# Numbering System

PDA9T9R9 22 10 is a 2200 Volt, Air Cooled Doubler Assembly.



## (1,2) Circuit Code:

- Rectifier
- SCR
- Half-Control
- Full-Control

### PA (AC Switch)

Powerex supplies the sink jumper (AC connection) on the PA air cooled assembly types only.



### PC (Positive Centertap – Common Cathode Connection)



### PD (Doubler Assemblies)

Remember to check the number of assemblies required for your circuit configuration.



### PN (Negative Centertap – Common Anode Connection)



### PP (Parallel Connection)

Connections available as Special Purpose Assemblies with selected device matching negotiated with Powerex application engineers.



- Rectifier
- SCR
- Half-Control
- Full-Control

### PR (Single Assemblies)

Remember to check the number of assemblies required for your circuit configuration.



### PS (Series Connection)

Connections available as Special Purpose Assemblies with the following options: device selection and matching; chill blocks and fittings (targets); disc clamp designs with additional spring deflection and additional voltage capabilities, corona (CIV, CEV) and Hipot testing, balancing capacitors, resistors.



### PT (Single Assemblies)

Remember to check the number of assemblies required for your circuit configuration.



## (3,4) Sink Code: Customer Specific

## (5,6,7,8) Device Code: Application Specific

## (9,10) Voltage Code:

- 02 = 200
- 04 = 400
- 06 = 600
- 08 = 800
- 10 = 1000
- 12 = 1200
- 14 = 1400
- 16 = 1600
- 18 = 1800
- 20 = 2000
- 22 = 2200
- 24 = 2400
- 26 = 2600
- 28 = 2800
- 30 = 3000

## (11,12) Current Code: Customer Specific

## Three-Phase AC Switch Discs, Hockey Puks

| Part Number  | Voltage | Output Current<br>Arms<br>Amperes | Package Size<br>(inches) | Quantity<br>for 3-Phase | Ambient<br>Temperature<br>(°C) | Inlet Air Velocity<br>(LFM) | Approximate<br>Weight |       | Outline<br>Drawings |      |
|--------------|---------|-----------------------------------|--------------------------|-------------------------|--------------------------------|-----------------------------|-----------------------|-------|---------------------|------|
|              |         |                                   |                          |                         |                                |                             | (lbs)                 | (kgs) | Number              | Page |
| PAA6T6200620 | 600     | 400                               | 13.125 x 5.75 x 5.75     | 3                       | 50                             | 1000                        | 12.8                  | 5.8   | 1                   | J-12 |
| PAA6T6201220 | 1200    | 400                               | 13.125 x 5.75 x 5.75     | 3                       | 50                             | 1000                        | 12.8                  | 5.8   | 1                   | J-12 |
| PAA6T6201620 | 1600    | 400                               | 13.125 x 5.75 x 5.75     | 3                       | 50                             | 1000                        | 12.8                  | 5.8   | 1                   | J-12 |
| PAA7T7200645 | 600     | 600                               | 13.125 x 5.625 x 6.25    | 3                       | 50                             | 1000                        | 13.7                  | 6.2   | 2                   | J-12 |
| PAA7T7201245 | 1200    | 600                               | 13.125 x 5.625 x 6.25    | 3                       | 50                             | 1000                        | 13.7                  | 6.2   | 2                   | J-12 |
| PAA7T7201645 | 1600    | 600                               | 13.125 x 5.625 x 6.25    | 3                       | 50                             | 1000                        | 13.7                  | 6.2   | 2                   | J-12 |
| PAA7T7200655 | 600     | 700                               | 13.125 x 5.625 x 6.25    | 3                       | 50                             | 1000                        | 13.7                  | 6.2   | 2                   | J-12 |
| PAA7T7201255 | 1200    | 700                               | 13.125 x 5.625 x 6.25    | 3                       | 50                             | 1000                        | 13.7                  | 6.2   | 2                   | J-12 |
| PAA7T7201655 | 1600    | 700                               | 13.125 x 5.625 x 6.25    | 3                       | 50                             | 1000                        | 13.7                  | 6.2   | 2                   | J-12 |
| PAA7T7S00675 | 600     | 800                               | 13.125 x 5.625 x 5.80    | 3                       | 50                             | 1000                        | 12.8                  | 5.8   | 3                   | J-13 |
| PAA7T7S01275 | 1200    | 800                               | 13.125 x 5.625 x 5.80    | 3                       | 50                             | 1000                        | 12.8                  | 5.8   | 3                   | J-13 |
| PAA7T7S01675 | 1600    | 800                               | 13.125 x 5.625 x 5.80    | 3                       | 50                             | 1000                        | 12.8                  | 5.8   | 3                   | J-13 |
| PAA9T9G00610 | 600     | 1350                              | 17.125 x 9.938 x 6.44    | 3                       | 50                             | 1000                        | 45.0                  | 20.4  | 4                   | J-13 |
| PAA9T9G01210 | 1200    | 1350                              | 17.125 x 9.938 x 6.44    | 3                       | 50                             | 1000                        | 45.0                  | 20.4  | 4                   | J-13 |
| PAA9T9G01610 | 1600    | 1350                              | 17.125 x 9.938 x 6.44    | 3                       | 50                             | 1000                        | 45.0                  | 20.4  | 4                   | J-13 |
| PAA9T9G00612 | 600     | 1700                              | 17.125 x 9.938 x 6.44    | 3                       | 50                             | 1000                        | 45.0                  | 20.4  | 4                   | J-13 |
| PAA9T9G01212 | 1200    | 1700                              | 17.125 x 9.938 x 6.44    | 3                       | 50                             | 1000                        | 45.0                  | 20.4  | 4                   | J-13 |
| PAA9T9G01612 | 1600    | 1700                              | 17.125 x 9.938 x 6.44    | 3                       | 50                             | 1000                        | 45.0                  | 20.4  | 4                   | J-13 |
| PAAATA200616 | 600     | 2100                              | 21.12 x 12.69 x 7.84     | 3                       | 50                             | 1000                        | 86.4                  | 39.2  | 5                   | J-14 |
| PAAATA201216 | 1200    | 2100                              | 21.12 x 12.69 x 7.84     | 3                       | 50                             | 1000                        | 86.4                  | 39.2  | 5                   | J-14 |
| PAAATA201616 | 1600    | 2100                              | 21.12 x 12.69 x 7.84     | 3                       | 50                             | 1000                        | 86.4                  | 39.2  | 5                   | J-14 |
| PAAATA200618 | 600     | 2500                              | 21.12 x 12.69 x 7.84     | 3                       | 50                             | 1000                        | 86.4                  | 39.2  | 5                   | J-14 |
| PAAATA201218 | 1200    | 2500                              | 21.12 x 12.69 x 7.84     | 3                       | 50                             | 1000                        | 86.4                  | 39.2  | 5                   | J-14 |
| PAAATA201618 | 1600    | 2500                              | 21.12 x 12.69 x 7.84     | 3                       | 50                             | 1000                        | 86.4                  | 39.2  | 5                   | J-14 |



Single Phase Assembly –  
3 Required for Three-Phase Circuit

# Three-Phase AC Switch

## Isolated Modules

| Part Number  | Voltage | Output Current<br>A <sub>rms</sub><br>Amperes | Package Size<br>(inches) | Quantity<br>for 3-Phase | Ambient<br>Temperature<br>(°C) | Inlet Air Velocity<br>(LFM) | Approximate<br>Weight |       | Outline<br>Drawings |      |
|--------------|---------|-----------------------------------------------|--------------------------|-------------------------|--------------------------------|-----------------------------|-----------------------|-------|---------------------|------|
|              |         |                                               |                          |                         |                                |                             | (lbs)                 | (kgs) | Number              | Page |
| PAB1CD430890 | 600     | 100                                           | 6.00 x 4.92 x 7.00       | 1                       | 50                             | 800                         | 6.8                   | 3.1   | 6                   | J-14 |
| PAB1CD431290 | 1200    | 100                                           | 6.00 x 4.92 x 7.00       | 1                       | 50                             | 800                         | 6.8                   | 3.1   | 6                   | J-14 |
| PAB1CD431690 | 1600    | 100                                           | 6.00 x 4.92 x 7.00       | 1                       | 50                             | 800                         | 6.8                   | 3.1   | 6                   | J-14 |
| PAB2CD630815 | 600     | 150                                           | 9.00 x 4.92 x 7.00       | 1                       | 50                             | 800                         | 11.0                  | 5.0   | 8                   | J-15 |
| PAB2CD631215 | 1200    | 150                                           | 9.00 x 4.92 x 7.00       | 1                       | 50                             | 800                         | 11.0                  | 5.0   | 8                   | J-15 |
| PAB2CD631615 | 1600    | 150                                           | 9.00 x 4.92 x 7.00       | 1                       | 50                             | 800                         | 11.0                  | 5.0   | 8                   | J-15 |
| PAB3ND430825 | 600     | 200                                           | 12.00 x 4.92 x 8.00      | 1                       | 50                             | 800                         | 18.75                 | 8.5   | 10                  | J-16 |
| PAB3ND431225 | 1200    | 200                                           | 12.00 x 4.92 x 8.00      | 1                       | 50                             | 800                         | 18.75                 | 8.5   | 10                  | J-16 |
| PAB3ND431625 | 1600    | 200                                           | 12.00 x 4.92 x 8.00      | 1                       | 50                             | 800                         | 18.75                 | 8.5   | 10                  | J-16 |
| PAB2LD430850 | 600     | 300                                           | 9.00 x 4.92 x 8.00       | 3                       | 50                             | 800                         | 12.5                  | 5.6   | 12                  | J-16 |
| PAB2LD431250 | 1200    | 300                                           | 9.00 x 4.92 x 8.00       | 3                       | 50                             | 800                         | 12.5                  | 5.6   | 12                  | J-16 |
| PAB2LD431650 | 1600    | 300                                           | 9.00 x 4.92 x 8.00       | 3                       | 50                             | 800                         | 12.5                  | 5.6   | 12                  | J-16 |

PAB1CD430890, PAB1CD431290, PAB1CD431690,  
PAB2CD630815, PAB2CD631215, PAB2CD631615,  
PAB3ND430825, PAB3ND431225, PAB3ND431625

PAB2LD430850, PAB2LD431250, PAB2LD431650



Single Phase Assembly –  
3 Required for Three-Phase Circuit

## Three-Phase DC Rectifier Discs, Hockey Pucks

| Part Number  | Voltage | Output Current<br>Apc<br>Amperes | Package Size<br>(inches) | Quantity<br>for 3-Phase | Ambient<br>Temperature<br>(°C) | Inlet Air Velocity<br>(LFM) | Approximate<br>Weight |       | Outline<br>Drawings |      |
|--------------|---------|----------------------------------|--------------------------|-------------------------|--------------------------------|-----------------------------|-----------------------|-------|---------------------|------|
|              |         |                                  |                          |                         |                                |                             | (lbs)                 | (kgs) | Number              | Page |
| PDA6R6200630 | 600     | 850                              | 13.125 x 5.75 x 5.75     | 3                       | 50                             | 1000                        | 12.8                  | 5.8   | 1                   | J-12 |
| PDA6R6201230 | 1200    | 850                              | 13.125 x 5.75 x 5.75     | 3                       | 50                             | 1000                        | 12.8                  | 5.8   | 1                   | J-12 |
| PDA6R6201630 | 1600    | 850                              | 13.125 x 5.75 x 5.75     | 3                       | 50                             | 1000                        | 12.8                  | 5.8   | 1                   | J-12 |
| PDA7R7S00608 | 600     | 1200                             | 13.125 x 5.625 x 5.80    | 3                       | 50                             | 1000                        | 12.8                  | 5.8   | 3                   | J-13 |
| PDA7R7S01208 | 1200    | 1200                             | 13.125 x 5.625 x 5.80    | 3                       | 50                             | 1000                        | 12.8                  | 5.8   | 3                   | J-13 |
| PDA7R7S01608 | 1600    | 1200                             | 13.125 x 5.625 x 5.80    | 3                       | 50                             | 1000                        | 12.8                  | 5.8   | 3                   | J-13 |
| PDA7R7S00612 | 600     | 1650                             | 13.125 x 5.625 x 5.80    | 3                       | 50                             | 1000                        | 12.8                  | 5.8   | 3                   | J-13 |
| PDA7R7S01212 | 1200    | 1650                             | 13.125 x 5.625 x 5.80    | 3                       | 50                             | 1000                        | 12.8                  | 5.8   | 3                   | J-13 |
| PDA7R7S01612 | 1600    | 1650                             | 13.125 x 5.625 x 5.80    | 3                       | 50                             | 1000                        | 12.8                  | 5.8   | 3                   | J-13 |
| PDA7R7S00616 | 600     | 2450                             | 13.125 x 5.625 x 5.80    | 3                       | 50                             | 1000                        | 12.8                  | 5.8   | 3                   | J-13 |
| PDA7R7S01216 | 1200    | 2450                             | 13.125 x 5.625 x 5.80    | 3                       | 50                             | 1000                        | 12.8                  | 5.8   | 3                   | J-13 |
| PDA7R7S01616 | 1600    | 2450                             | 13.125 x 5.625 x 5.80    | 3                       | 50                             | 1000                        | 12.8                  | 5.8   | 3                   | J-13 |
| PDA9R9G00612 | 600     | 2700                             | 17.125 x 9.938 x 6.44    | 3                       | 50                             | 1000                        | 45.0                  | 20.4  | 4                   | J-13 |
| PDA9R9G01212 | 1200    | 2700                             | 17.125 x 9.938 x 6.44    | 3                       | 50                             | 1000                        | 45.0                  | 20.4  | 4                   | J-13 |
| PDA9R9G01612 | 1600    | 2700                             | 17.125 x 9.938 x 6.44    | 3                       | 50                             | 1000                        | 45.0                  | 20.4  | 4                   | J-13 |
| PDA9R9G00618 | 600     | 3300                             | 17.125 x 9.938 x 6.44    | 3                       | 50                             | 1000                        | 45.0                  | 20.4  | 4                   | J-13 |
| PDA9R9G01218 | 1200    | 3300                             | 17.125 x 9.938 x 6.44    | 3                       | 50                             | 1000                        | 45.0                  | 20.4  | 4                   | J-13 |
| PDA9R9G01618 | 1600    | 3300                             | 17.125 x 9.938 x 6.44    | 3                       | 50                             | 1000                        | 45.0                  | 20.4  | 4                   | J-13 |
| PDA9R9G00622 | 600     | 4500                             | 17.125 x 9.938 x 6.44    | 3                       | 50                             | 1000                        | 45.0                  | 20.4  | 4                   | J-13 |
| PDA9R9G01222 | 1200    | 4500                             | 17.125 x 9.938 x 6.44    | 3                       | 50                             | 1000                        | 45.0                  | 20.4  | 4                   | J-13 |
| PDA9R9G01622 | 1600    | 4500                             | 17.125 x 9.938 x 6.44    | 3                       | 50                             | 1000                        | 45.0                  | 20.4  | 4                   | J-13 |
| PDAARA200636 | 600     | 5800                             | 21.12 x 12.69 x 7.84     | 3                       | 50                             | 1000                        | 86.4                  | 39.2  | 5                   | J-14 |
| PDAARA201236 | 1200    | 5800                             | 21.12 x 12.69 x 7.84     | 3                       | 50                             | 1000                        | 86.4                  | 39.2  | 5                   | J-14 |
| PDAARA201636 | 1600    | 5800                             | 21.12 x 12.69 x 7.84     | 3                       | 50                             | 1000                        | 86.4                  | 39.2  | 5                   | J-14 |



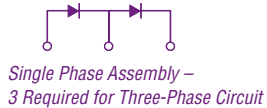
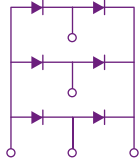
Single Phase Assembly –  
3 Required for Three-Phase Circuit

# Three-Phase DC Rectifier Isolated Modules

| Part Number  | Voltage | Output Current<br>A <sub>DC</sub><br>Amperes | Package Size<br>(inches) | Quantity<br>for 3-Phase | Ambient<br>Temperature<br>(°C) | Inlet Air Velocity<br>(LFM) | Approximate<br>Weight |       | Outline<br>Drawings |      |
|--------------|---------|----------------------------------------------|--------------------------|-------------------------|--------------------------------|-----------------------------|-----------------------|-------|---------------------|------|
|              |         |                                              |                          |                         |                                |                             | (lbs)                 | (kgs) | Number              | Page |
| PDB1CD410899 | 600     | 150                                          | 6.00 x 4.92 x 7.00       | 1                       | 50                             | 800                         | 6.8                   | 3.1   | 7                   | J-15 |
| PDB1CD411299 | 1200    | 150                                          | 6.00 x 4.92 x 7.00       | 1                       | 50                             | 800                         | 6.8                   | 3.1   | 7                   | J-15 |
| PDB1CD411699 | 1600    | 150                                          | 6.00 x 4.92 x 7.00       | 1                       | 50                             | 800                         | 6.8                   | 3.1   | 7                   | J-15 |
| PDB2CD610816 | 600     | 200                                          | 9.00 x 4.92 x 7.00       | 1                       | 50                             | 800                         | 11.0                  | 5.0   | 9                   | J-15 |
| PDB2CD611216 | 1200    | 200                                          | 9.00 x 4.92 x 7.00       | 1                       | 50                             | 800                         | 11.0                  | 5.0   | 9                   | J-15 |
| PDB2CD611616 | 1600    | 200                                          | 9.00 x 4.92 x 7.00       | 1                       | 50                             | 800                         | 11.0                  | 5.0   | 9                   | J-15 |
| PDB3ND410626 | 600     | 300                                          | 15.00 x 4.92 x 8.00      | 1                       | 50                             | 800                         | 18.75                 | 8.5   | 11                  | J-16 |
| PDB3ND411226 | 1200    | 300                                          | 15.00 x 4.92 x 8.00      | 1                       | 50                             | 800                         | 18.75                 | 8.5   | 11                  | J-16 |
| PDB3ND411626 | 1600    | 300                                          | 15.00 x 4.92 x 8.00      | 1                       | 50                             | 800                         | 18.75                 | 8.5   | 11                  | J-16 |
| PDB2LD410860 | 600     | 450                                          | 9.00 x 4.92 x 8.00       | 3                       | 50                             | 800                         | 12.5                  | 5.6   | 12                  | J-16 |
| PDB2LD411260 | 1200    | 450                                          | 9.00 x 4.92 x 8.00       | 3                       | 50                             | 800                         | 12.5                  | 5.6   | 12                  | J-16 |
| PDB2LD411660 | 1600    | 450                                          | 9.00 x 4.92 x 8.00       | 3                       | 50                             | 800                         | 12.5                  | 5.6   | 12                  | J-16 |

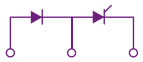
PDB1CD410899, PDB1CD411299, PDB1CD411699,  
PDB2CD610816, PDB2CD611216, PDB2CD611616,  
PDB3ND410626, PDB3ND411226, PDB3ND411626

PDB2LD410860, PDB2LD411260, PDB2LD411660



## Three-Phase Half Controlled Rectifier Discs, Hockey Puks

| Part Number  | Voltage | Output Current<br>Apc<br>Amperes | Package Size<br>(inches) | Quantity<br>for 3-Phase | Ambient<br>Temperature<br>(°C) | Inlet Air Velocity<br>(LFM) | Approximate<br>Weight |       | Outline<br>Drawings |      |
|--------------|---------|----------------------------------|--------------------------|-------------------------|--------------------------------|-----------------------------|-----------------------|-------|---------------------|------|
|              |         |                                  |                          |                         |                                |                             | (lbs)                 | (kgs) | Number              | Page |
| PDA6T6R60620 | 600     | 500                              | 13.125 x 5.75 x 5.75     | 3                       | 50                             | 1000                        | 12.8                  | 5.8   | 1                   | J-12 |
| PDA6T6R61220 | 1200    | 500                              | 13.125 x 5.75 x 5.75     | 3                       | 50                             | 1000                        | 12.8                  | 5.8   | 1                   | J-12 |
| PDA6T6R61620 | 1600    | 500                              | 13.125 x 5.75 x 5.75     | 3                       | 50                             | 1000                        | 12.8                  | 5.8   | 1                   | J-12 |
| PDA6T6R60630 | 600     | 600                              | 13.125 x 5.75 x 5.75     | 3                       | 50                             | 1000                        | 12.8                  | 5.8   | 1                   | J-12 |
| PDA6T6R61230 | 1200    | 600                              | 13.125 x 5.75 x 5.75     | 3                       | 50                             | 1000                        | 12.8                  | 5.8   | 1                   | J-12 |
| PDA6T6R61630 | 1600    | 600                              | 13.125 x 5.75 x 5.75     | 3                       | 50                             | 1000                        | 12.8                  | 5.8   | 1                   | J-12 |
| PDA7T7R70645 | 600     | 800                              | 13.125 x 5.625 x 6.25    | 3                       | 50                             | 1000                        | 13.7                  | 6.2   | 2                   | J-12 |
| PDA7T7R71245 | 1200    | 800                              | 13.125 x 5.625 x 6.25    | 3                       | 50                             | 1000                        | 13.7                  | 6.2   | 2                   | J-12 |
| PDA7T7R71645 | 1600    | 800                              | 13.125 x 5.625 x 6.25    | 3                       | 50                             | 1000                        | 13.7                  | 6.2   | 2                   | J-12 |
| PDA7TSRS0665 | 600     | 950                              | 13.125 x 5.625 x 5.80    | 3                       | 50                             | 1000                        | 12.8                  | 5.8   | 3                   | J-13 |
| PDA7TSRS1265 | 1200    | 950                              | 13.125 x 5.625 x 5.80    | 3                       | 50                             | 1000                        | 12.8                  | 5.8   | 3                   | J-13 |
| PDA7TSRS1665 | 1600    | 950                              | 13.125 x 5.625 x 5.80    | 3                       | 50                             | 1000                        | 12.8                  | 5.8   | 3                   | J-13 |
| PDA7TSRS0675 | 600     | 1000                             | 13.125 x 5.625 x 5.80    | 3                       | 50                             | 1000                        | 12.8                  | 5.8   | 3                   | J-13 |
| PDA7TSRS1275 | 1200    | 1000                             | 13.125 x 5.625 x 5.80    | 3                       | 50                             | 1000                        | 12.8                  | 5.8   | 3                   | J-13 |
| PDA7TSRS1675 | 1600    | 1000                             | 13.125 x 5.625 x 5.80    | 3                       | 50                             | 1000                        | 12.8                  | 5.8   | 3                   | J-13 |
| PDA9T9R90610 | 600     | 1750                             | 17.125 x 9.938 x 6.44    | 3                       | 50                             | 1000                        | 45.0                  | 20.4  | 4                   | J-13 |
| PDA9T9R91210 | 1200    | 1750                             | 17.125 x 9.938 x 6.44    | 3                       | 50                             | 1000                        | 45.0                  | 20.4  | 4                   | J-13 |
| PDA9T9R91610 | 1600    | 1750                             | 17.125 x 9.938 x 6.44    | 3                       | 50                             | 1000                        | 45.0                  | 20.4  | 4                   | J-13 |
| PDA9T9R90612 | 600     | 2200                             | 17.125 x 9.938 x 6.44    | 3                       | 50                             | 1000                        | 45.0                  | 20.4  | 4                   | J-13 |
| PDA9T9R91212 | 1200    | 2200                             | 17.125 x 9.938 x 6.44    | 3                       | 50                             | 1000                        | 45.0                  | 20.4  | 4                   | J-13 |
| PDA9T9R91612 | 1600    | 2200                             | 17.125 x 9.938 x 6.44    | 3                       | 50                             | 1000                        | 45.0                  | 20.4  | 4                   | J-13 |
| PDAATARA0618 | 600     | 3300                             | 21.12 x 12.69 x 7.84     | 3                       | 50                             | 1000                        | 86.4                  | 39.2  | 5                   | J-14 |
| PDAATARA1218 | 1200    | 3300                             | 21.12 x 12.69 x 7.84     | 3                       | 50                             | 1000                        | 86.4                  | 39.2  | 5                   | J-14 |
| PDAATARA1618 | 1600    | 3300                             | 21.12 x 12.69 x 7.84     | 3                       | 50                             | 1000                        | 86.4                  | 39.2  | 5                   | J-14 |



Single Phase Assembly –  
3 Required for Three-Phase Circuit

## Three-Phase Half Controlled Rectifier Isolated Modules

| Part Number  | Voltage | Output Current<br>A <sub>DC</sub><br>Amperes | Package Size<br>(inches) | Quantity<br>for 3-Phase | Ambient<br>Temperature<br>(°C) | Inlet Air Velocity<br>(LFM) | Approximate<br>Weight |       | Outline<br>Drawings |      |
|--------------|---------|----------------------------------------------|--------------------------|-------------------------|--------------------------------|-----------------------------|-----------------------|-------|---------------------|------|
|              |         |                                              |                          |                         |                                |                             | (lbs)                 | (kgs) | Number              | Page |
| PDB1CD420890 | 600     | 150                                          | 6.00 x 4.92 x 7.00       | 1                       | 50                             | 800                         | 6.8                   | 3.1   | 7                   | J-15 |
| PDB1CD421290 | 1200    | 150                                          | 6.00 x 4.92 x 7.00       | 1                       | 50                             | 800                         | 6.8                   | 3.1   | 7                   | J-15 |
| PDB1CD421690 | 1600    | 150                                          | 6.00 x 4.92 x 7.00       | 1                       | 50                             | 800                         | 6.8                   | 3.1   | 7                   | J-15 |
| PDB2CD620815 | 600     | 200                                          | 9.00 x 4.92 x 7.00       | 1                       | 50                             | 800                         | 11.0                  | 5.0   | 9                   | J-15 |
| PDB2CD621215 | 1200    | 200                                          | 9.00 x 4.92 x 7.00       | 1                       | 50                             | 800                         | 11.0                  | 5.0   | 9                   | J-15 |
| PDB2CD621615 | 1600    | 200                                          | 9.00 x 4.92 x 7.00       | 1                       | 50                             | 800                         | 11.0                  | 5.0   | 9                   | J-15 |
| PDB3ND420625 | 600     | 300                                          | 15.00 x 4.92 x 8.00      | 1                       | 50                             | 800                         | 18.75                 | 8.5   | 11                  | J-16 |
| PDB3ND421225 | 1200    | 300                                          | 15.00 x 4.92 x 8.00      | 1                       | 50                             | 800                         | 18.75                 | 8.5   | 11                  | J-16 |
| PDB3ND421625 | 1600    | 300                                          | 15.00 x 4.92 x 8.00      | 1                       | 50                             | 800                         | 18.75                 | 8.5   | 11                  | J-16 |
| PDB2LD420850 | 600     | 450                                          | 9.00 x 4.92 x 8.00       | 3                       | 50                             | 800                         | 12.5                  | 5.6   | 12                  | J-16 |
| PDB2LD421250 | 1200    | 450                                          | 9.00 x 4.92 x 8.00       | 3                       | 50                             | 800                         | 12.5                  | 5.6   | 12                  | J-16 |
| PDB2LD421650 | 1600    | 450                                          | 9.00 x 4.92 x 8.00       | 3                       | 50                             | 800                         | 12.5                  | 5.6   | 12                  | J-16 |

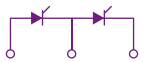
PDB1CD420890, PDB1CD421290, PDB1CD421690,  
PDB2CD620815, PDB2CD621215, PDB2CD621615,  
PDB3ND420625, PDB3ND421225, PDB3ND421625

PDB2LD420850, PDB2LD421250, PDB2LD421650



## Three-Phase Full Controlled Rectifier Discs, Hockey Puks

| Part Number  | Voltage | Output Current<br>Apc<br>Amperes | Package Size<br>(inches) | Quantity<br>for 3-Phase | Ambient<br>Temperature<br>(°C) | Inlet Air Velocity<br>(LFM) | Approximate<br>Weight |       | Outline<br>Drawings |      |
|--------------|---------|----------------------------------|--------------------------|-------------------------|--------------------------------|-----------------------------|-----------------------|-------|---------------------|------|
|              |         |                                  |                          |                         |                                |                             | (lbs)                 | (kgs) | Number              | Page |
| PDA6T6200620 | 600     | 500                              | 13.125 x 5.75 x 5.75     | 3                       | 50                             | 1000                        | 12.8                  | 5.8   | 1                   | J-12 |
| PDA6T6201220 | 1200    | 500                              | 13.125 x 5.75 x 5.75     | 3                       | 50                             | 1000                        | 12.8                  | 5.8   | 1                   | J-12 |
| PDA6T6201620 | 1600    | 500                              | 13.125 x 5.75 x 5.75     | 3                       | 50                             | 1000                        | 12.8                  | 5.8   | 1                   | J-12 |
| PDA6T6200630 | 600     | 600                              | 13.125 x 5.75 x 5.75     | 3                       | 50                             | 1000                        | 12.8                  | 5.8   | 1                   | J-12 |
| PDA6T6201230 | 1200    | 600                              | 13.125 x 5.75 x 5.75     | 3                       | 50                             | 1000                        | 12.8                  | 5.8   | 1                   | J-12 |
| PDA6T6201630 | 1600    | 600                              | 13.125 x 5.75 x 5.75     | 3                       | 50                             | 1000                        | 12.8                  | 5.8   | 1                   | J-12 |
| PDA7T7200645 | 600     | 800                              | 13.125 x 5.625 x 6.25    | 3                       | 50                             | 1000                        | 13.7                  | 6.2   | 2                   | J-12 |
| PDA7T7201245 | 1200    | 800                              | 13.125 x 5.625 x 6.25    | 3                       | 50                             | 1000                        | 13.7                  | 6.2   | 2                   | J-12 |
| PDA7T7201645 | 1600    | 800                              | 13.125 x 5.625 x 6.25    | 3                       | 50                             | 1000                        | 13.7                  | 6.2   | 2                   | J-12 |
| PDA7T7S00665 | 600     | 950                              | 13.125 x 5.625 x 5.80    | 3                       | 50                             | 1000                        | 12.8                  | 5.8   | 3                   | J-13 |
| PDA7T7S01265 | 1200    | 950                              | 13.125 x 5.625 x 5.80    | 3                       | 50                             | 1000                        | 12.8                  | 5.8   | 3                   | J-13 |
| PDA7T7S01665 | 1600    | 950                              | 13.125 x 5.625 x 5.80    | 3                       | 50                             | 1000                        | 12.8                  | 5.8   | 3                   | J-13 |
| PDA7T7S00675 | 600     | 1000                             | 13.125 x 5.625 x 5.80    | 3                       | 50                             | 1000                        | 12.8                  | 5.8   | 3                   | J-13 |
| PDA7T7S01275 | 1200    | 1000                             | 13.125 x 5.625 x 5.80    | 3                       | 50                             | 1000                        | 12.8                  | 5.8   | 3                   | J-13 |
| PDA7T7S01675 | 1600    | 1000                             | 13.125 x 5.625 x 5.80    | 3                       | 50                             | 1000                        | 12.8                  | 5.8   | 3                   | J-13 |
| PDA9T9G00610 | 600     | 1750                             | 17.125 x 9.938 x 6.44    | 3                       | 50                             | 1000                        | 45.0                  | 20.4  | 4                   | J-13 |
| PDA9T9G01210 | 1200    | 1750                             | 17.125 x 9.938 x 6.44    | 3                       | 50                             | 1000                        | 45.0                  | 20.4  | 4                   | J-13 |
| PDA9T9G01610 | 1600    | 1750                             | 17.125 x 9.938 x 6.44    | 3                       | 50                             | 1000                        | 45.0                  | 20.4  | 4                   | J-13 |
| PDA9T9G00612 | 600     | 2200                             | 17.125 x 9.938 x 6.44    | 3                       | 50                             | 1000                        | 45.0                  | 20.4  | 4                   | J-13 |
| PDA9T9G01212 | 1200    | 2200                             | 17.125 x 9.938 x 6.44    | 3                       | 50                             | 1000                        | 45.0                  | 20.4  | 4                   | J-13 |
| PDA9T9G01612 | 1600    | 2200                             | 17.125 x 9.938 x 6.44    | 3                       | 50                             | 1000                        | 45.0                  | 20.4  | 4                   | J-13 |
| PDAATA200618 | 600     | 3300                             | 21.12 x 12.69 x 7.84     | 3                       | 50                             | 1000                        | 86.4                  | 39.2  | 5                   | J-14 |
| PDAATA201218 | 1200    | 3300                             | 21.12 x 12.69 x 7.84     | 3                       | 50                             | 1000                        | 86.4                  | 39.2  | 5                   | J-14 |
| PDAATA201618 | 1600    | 3300                             | 21.12 x 12.69 x 7.84     | 3                       | 50                             | 1000                        | 86.4                  | 39.2  | 5                   | J-14 |



Single Phase Assembly –  
3 Required for Three-Phase Circuit



## Three-Phase Full Controlled Rectifier Isolated Modules

| Part Number  | Voltage | Output Current<br>A <sub>DC</sub><br>Amperes | Package Size<br>(inches) | Quantity<br>for 3-Phase | Ambient<br>Temperature<br>(°C) | Inlet Air Velocity<br>(LFM) | Approximate<br>Weight |       | Outline<br>Drawings |      |
|--------------|---------|----------------------------------------------|--------------------------|-------------------------|--------------------------------|-----------------------------|-----------------------|-------|---------------------|------|
|              |         |                                              |                          |                         |                                |                             | (lbs)                 | (kgs) | Number              | Page |
| PDB1CD430890 | 600     | 150                                          | 6.00 x 4.92 x 7.00       | 1                       | 50                             | 800                         | 6.8                   | 3.1   | 7                   | J-15 |
| PDB1CD431290 | 1200    | 150                                          | 6.00 x 4.92 x 7.00       | 1                       | 50                             | 800                         | 6.8                   | 3.1   | 7                   | J-15 |
| PDB1CD431690 | 1600    | 150                                          | 6.00 x 4.92 x 7.00       | 1                       | 50                             | 800                         | 6.8                   | 3.1   | 7                   | J-15 |
| PDB2CD630815 | 600     | 200                                          | 9.00 x 4.92 x 7.00       | 1                       | 50                             | 800                         | 11.0                  | 5.0   | 9                   | J-15 |
| PDB2CD631215 | 1200    | 200                                          | 9.00 x 4.92 x 7.00       | 1                       | 50                             | 800                         | 11.0                  | 5.0   | 9                   | J-15 |
| PDB2CD631615 | 1600    | 200                                          | 9.00 x 4.92 x 7.00       | 1                       | 50                             | 800                         | 11.0                  | 5.0   | 9                   | J-15 |
| PDB3ND430625 | 600     | 300                                          | 15.00 x 4.92 x 8.00      | 1                       | 50                             | 800                         | 18.75                 | 8.5   | 11                  | J-16 |
| PDB3ND431225 | 1200    | 300                                          | 15.00 x 4.92 x 8.00      | 1                       | 50                             | 800                         | 18.75                 | 8.5   | 11                  | J-16 |
| PDB3ND431625 | 1600    | 300                                          | 15.00 x 4.92 x 8.00      | 1                       | 50                             | 800                         | 18.75                 | 8.5   | 11                  | J-16 |
| PDB2LD430850 | 600     | 450                                          | 9.00 x 4.92 x 8.00       | 3                       | 50                             | 800                         | 12.5                  | 5.6   | 12                  | J-16 |
| PDB2LD431250 | 1200    | 450                                          | 9.00 x 4.92 x 8.00       | 3                       | 50                             | 800                         | 12.5                  | 5.6   | 12                  | J-16 |
| PDB2LD431650 | 1600    | 450                                          | 9.00 x 4.92 x 8.00       | 3                       | 50                             | 800                         | 12.5                  | 5.6   | 12                  | J-16 |

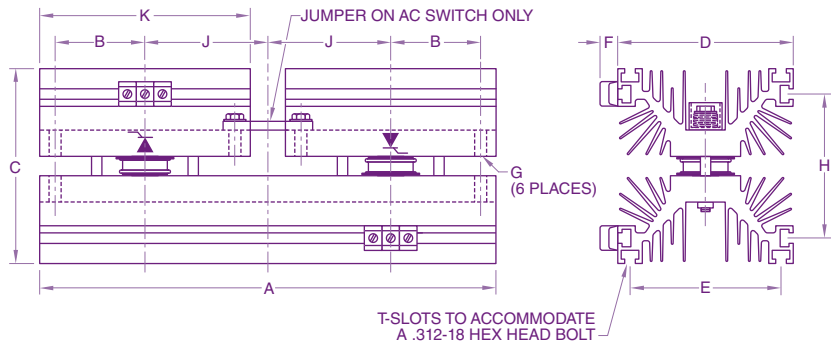
PDB1CD430890, PDB1CD431290, PDB1CD431690,  
PDB2CD630815, PDB2CD631215, PDB2CD631615,  
PDB3ND430625, PDB3ND431225, PDB3ND431625



PDB2LD430850, PDB2LD431250, PDB2LD431650

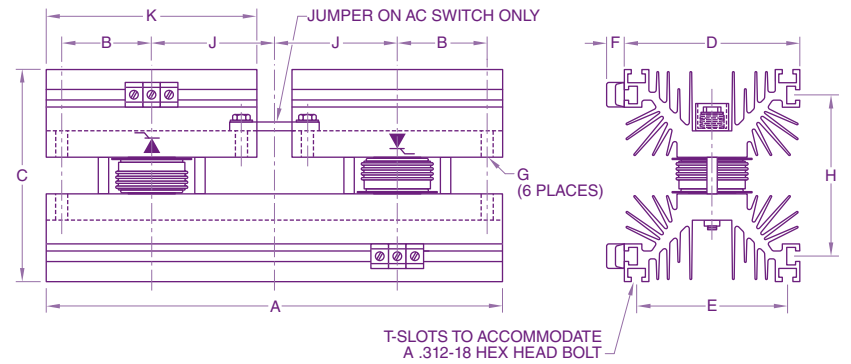


**1** PAA6T6200620, PAA6T6201220, PAA6T6201620, PDA6R6200630, PDA6R6201230, PDA6R6201630, PDA6T6200620, PDA6T6200630, PDA6T6201220, PDA6T6201230, PDA6T6201620, PDA6T6201630, PDA6T6R60620, PDA6T6R60630, PDA6T6R61220, PDA6T6R61230, PDA6T6R61620, PDA6T6R61630



| Dim. | Inches     | Millimeters |
|------|------------|-------------|
| A    | 13.06 Max. | 331.72 Max. |
| B    | 2.56       | 65.0        |
| C    | 5.60 Max.  | 142.24 Max. |
| D    | 5.06 Max.  | 128.52 Max. |
| E    | 4.25 Ref.  | 107.9 Ref.  |
| F    | 0.5 Ref.   | 12.7 Ref.   |
| G    | 0.344 Dia. | 8.75 Dia.   |
| H    | 4.10 Ref.  | 104.14 Ref. |
| J    | 3.5 Ref.   | 88.9 Ref.   |
| K    | 6.0 Ref.   | 152.4 Ref.  |

**2** PAA7T7200645, PAA7T7200655, PAA7T7201245, PAA7T7201255, PAA7T7201645, PAA7T7201655, PDA7T7200645, PDA7T7201245, PDA7T7201645, PDA7T7R70645, PDA7T7R71245, PDA7T7R71645



| Dim. | Inches     | Millimeters |
|------|------------|-------------|
| A    | 13.06 Max. | 331.72 Max. |
| B    | 2.56       | 65.0        |
| C    | 6.06 Max.  | 153.92 Max. |
| D    | 5.06 Max.  | 128.52 Max. |
| E    | 4.25 Ref.  | 107.9 Ref.  |
| F    | 0.5 Ref.   | 12.7 Ref.   |
| G    | 0.344 Dia. | 8.75 Dia.   |
| H    | 4.59 Ref.  | 116.58 Ref. |
| J    | 3.5 Ref.   | 88.9 Ref.   |
| K    | 6.0 Ref.   | 152.4 Ref.  |

3

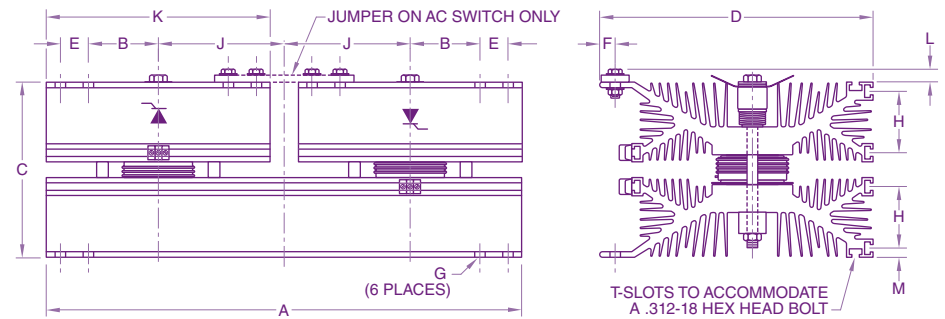
PAA7T7S00675, PAA7T7S01275, PAA7T7S01675, PDA7R7S00608, PDA7R7S00612, PDA7R7S00616, PDA7R7S01208, PDA7R7S01212, PDA7R7S01216, PDA7R7S01608, PDA7R7S01612, PDA7R7S01616, PDA7TSRS0665, PDA7TSRS0675, PDA7TSRS1265, PDA7TSRS1275, PDA7TSRS1665, PDA7TSRS1675, PDA7T7S00665, PDA7T7S00675, PDA7T7S01265, PDA7T7S01275, PDA7T7S01665, PDA7T7S01675



| Dim. | Inches     | Millimeters |
|------|------------|-------------|
| A    | 13.06 Max. | 331.72 Max. |
| B    | 2.56       | 65.0        |
| C    | 5.64 Max.  | 143.26 Max. |
| D    | 5.06 Max.  | 128.52 Max. |
| E    | 4.25 Ref.  | 107.9 Ref.  |
| F    | 0.5 Ref.   | 12.7 Ref.   |
| G    | 0.344 Dia. | 8.75 Dia.   |
| H    | 4.13 Ref.  | 104.9 Ref.  |
| J    | 3.5 Ref.   | 88.9 Ref.   |
| K    | 6.0 Ref.   | 152.4 Ref.  |

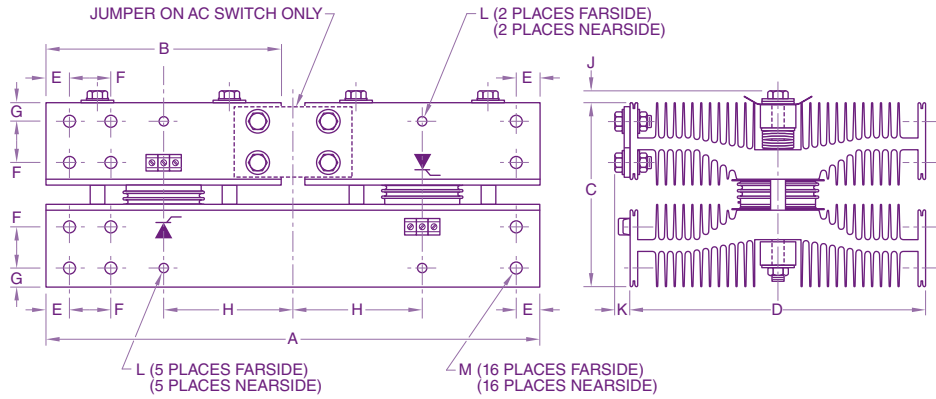
4

PAA9T9G00610, PAA9T9G00612, PAA9T9G01210, PAA9T9G01212, PAA9T9G01610, PAA9T9G01612, PDA9R9G00612, PDA9R9G00618, PDA9R9G00622, PDA9R9G01212, PDA9R9G01218, PDA9R9G01222, PDA9R9G01612, PDA9R9G01618, PDA9R9G01622, PDA9T9G00610, PDA9T9G00612, PDA9T9G01210, PDA9T9G01212, PDA9T9G01610, PDA9T9G01612, PDA9T9R90610, PDA9T9R90612, PDA9T9R91210, PDA9T9R91212, PDA9T9R91610, PDA9T9R91612



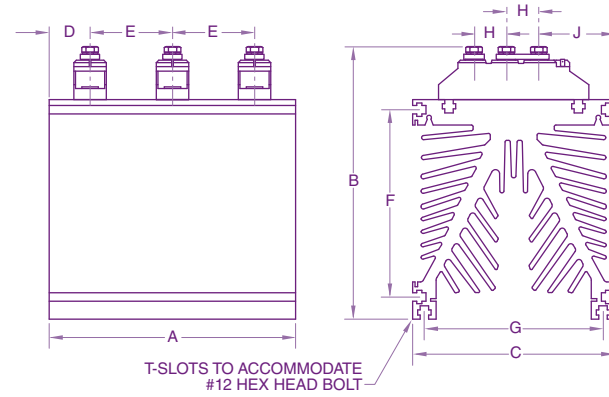
| Dim. | Inches     | Millimeters |
|------|------------|-------------|
| A    | 17.06 Max. | 433.32 Max. |
| B    | 2.5        | 63.5        |
| C    | 6.3 Max.   | 160.02 Max. |
| D    | 9.86 Max.  | 250.95 Max. |
| E    | 1.0        | 25.4        |
| F    | 0.75 Ref.  | 19.05 Ref.  |
| G    | 0.375 Dia. | 9.525 Dia.  |
| H    | 2.16 Ref.  | 54.86 Ref.  |
| J    | 4.5 Ref.   | 114.3 Ref.  |
| K    | 8.0 Ref.   | 203.2 Ref.  |
| L    | 0.5 Max.   | 12.7 Max.   |
| M    | 0.33 Ref.  | 8.38 Ref.   |

**5** PAAATA200616, PAAATA200618, PAAATA201216, PAAATA201218, PAAATA201616, PAAATA201618, PDAARA200636, PDAARA201236, PDAARA201636, PDAATARA0618, PDAATARA1218, PDAATARA1618, PDAATA200618, PDAATA201218, PDAATA201618



| Dim. | Inches     | Millimeters |
|------|------------|-------------|
| A    | 21.06 Max. | 534.92 Max. |
| B    | 10.0 Ref.  | 254.0 Ref.  |
| C    | 7.89 Max.  | 200.4 Max.  |
| D    | 12.69 Max. | 322.33 Max. |
| E    | 1.0        | 25.4        |
| F    | 1.75       | 44.45       |
| G    | 0.81       | 20.57       |
| H    | 5.50       | 139.7       |
| J    | 0.58 Ref.  | 14.73 Ref.  |
| K    | 0.65 Ref.  | 16.51 Ref.  |

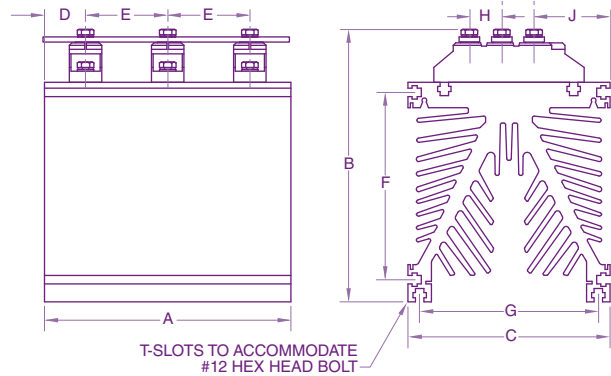
**6** PAB1CD430890, PAB1CD431290, PAB1CD431690



| Dim. | Inches    | Millimeters |
|------|-----------|-------------|
| A    | 6.0       | 152.5       |
| B    | 7.0 Max.  | 177.83 Max. |
| C    | 4.92 Max. | 125.0 Max.  |
| D    | 1.0       | 25.4        |
| E    | 2.0       | 50.8        |
| F    | 4.53      | 115.06      |
| G    | 4.33      | 109.98      |
| H    | 0.79      | 20.07       |
| J    | 1.5       | 31.1        |

7

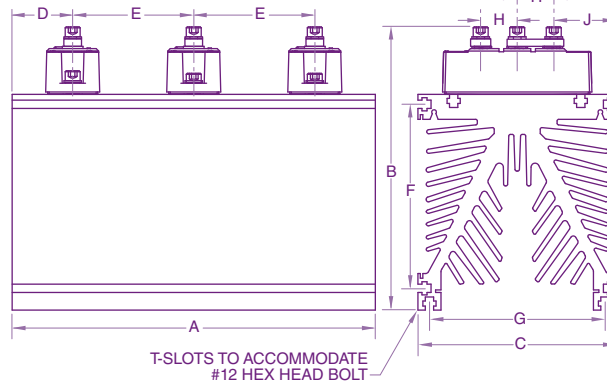
PDB1CD410899, PDB1CD411299, PDB1CD411699,  
PDB1CD420890, PDB1CD421290, PDB1CD421690,  
PDB1CD430890, PDB1CD431290, PDB1CD431690



| Dim. | Inches    | Millimeters |
|------|-----------|-------------|
| A    | 6.0       | 152.5       |
| B    | 7.0 Max.  | 177.83 Max. |
| C    | 4.92 Max. | 125.0 Max.  |
| D    | 1.0       | 25.4        |
| E    | 2.0       | 50.8        |
| F    | 4.53      | 115.06      |
| G    | 4.33      | 109.98      |
| H    | 0.79      | 20.07       |
| J    | 1.5       | 31.1        |

8

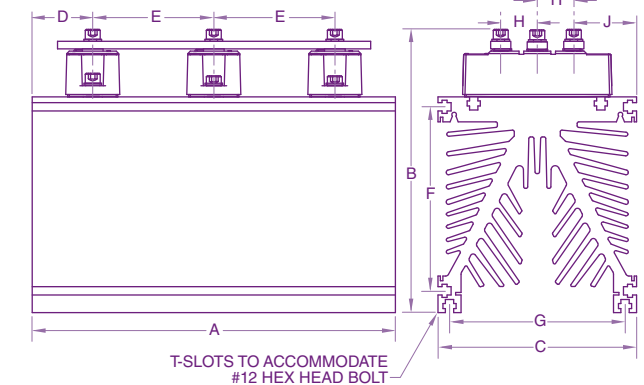
PAB2CD630815, PAB2CD631215, PAB2CD631615



| Dim. | Inches    | Millimeters |
|------|-----------|-------------|
| A    | 9.0       | 228.6       |
| B    | 7.0 Max.  | 177.83 Max. |
| C    | 4.92 Max. | 125.0 Max.  |
| D    | 1.5       | 31.1        |
| E    | 3.0       | 76.2        |
| F    | 4.53      | 115.06      |
| G    | 4.33      | 109.98      |
| H    | 0.91      | 23.11       |
| J    | 1.56      | 39.62       |

9

PDB2CD610816, PDB2CD611216, PDB2CD611616,  
PDB2CD620815, PDB2CD621215, PDB2CD621615,  
PDB2CD630815, PDB2CD631215, PDB2CD631615



| Dim. | Inches    | Millimeters |
|------|-----------|-------------|
| A    | 9.0       | 228.6       |
| B    | 7.0 Max.  | 177.83 Max. |
| C    | 4.92 Max. | 125.0 Max.  |
| D    | 1.5       | 31.1        |
| E    | 3.0       | 76.2        |
| F    | 4.53      | 115.06      |
| G    | 4.33      | 109.98      |
| H    | 0.91      | 23.11       |
| J    | 1.56      | 39.62       |

**10** PAB3ND430825, PAB3ND431225, PAB3ND431625



| Dim. | Inches    | Millimeters |
|------|-----------|-------------|
| A    | 12.0      | 304.8       |
| B    | 8.0 Max.  | 203.2 Max.  |
| C    | 4.92 Max. | 125.0 Max.  |
| D    | 2.0       | 50.8        |
| E    | 4.0       | 101.6       |
| F    | 4.53      | 115.06      |
| G    | 4.33      | 109.98      |
| H    | 1.7       | 43.18       |
| J    | 1.38      | 35.05       |
| K    | 1.77      | 44.96       |

**11** PDB3ND410626, PDB3ND411226, PDB3ND411626, PDB3ND420625, PDB3ND421225, PDB3ND421625, PDB3ND430625, PDB3ND431225, PDB3ND431625



| Dim. | Inches    | Millimeters |
|------|-----------|-------------|
| A    | 12.0      | 304.8       |
| B    | 8.0 Max.  | 203.2 Max.  |
| C    | 4.92 Max. | 125.0 Max.  |
| D    | 2.0       | 50.8        |
| E    | 4.0       | 101.6       |
| F    | 4.53      | 115.06      |
| G    | 4.33      | 109.98      |
| H    | 1.7       | 43.18       |
| J    | 1.38      | 35.05       |
| K    | 1.77      | 44.96       |

**12** PAB2LD430850, PAB2LD431250, PAB2LD431650, PDB2LD410860, PDB2LD411260, PDB2LD411660, PDB2LD420850, PDB2LD421250, PDB2LD421650, PDB2LD430850, PDB2LD431250, PDB2LD431650



| Dim. | Inches    | Millimeters |
|------|-----------|-------------|
| A    | 9.0       | 228.6       |
| B    | 8.0 Max.  | 203.2 Max.  |
| C    | 4.92 Max. | 125.0 Max.  |
| D    | 1.78      | 45.21       |
| E    | 1.73      | 43.94       |
| F    | 4.53      | 115.06      |
| G    | 4.33      | 109.98      |
| H    | 2.46      | 62.48       |
| J    | 1.97      | 50.04       |