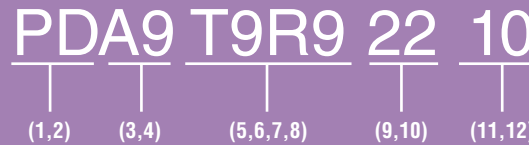


Numbering System

PDA9T9R9 22 10 is a 2200 Volt, Air Cooled Doubler Assembly.



(1,2) Circuit Code:

- Rectifier
- SCR
- Half-Control
- Full-Control

PA (AC Switch)

Powerex supplies the sink jumper (AC connection) on the PA air cooled assembly types only.



PC (Positive Centertap – Common Cathode Connection)



PD (Doubler Assemblies)

Remember to check the number of assemblies required for your circuit configuration.



PN (Negative Centertap – Common Anode Connection)



PP (Parallel Connection)

Connections available as Special Purpose Assemblies with selected device matching negotiated with Powerex application engineers.



- Rectifier
- SCR
- Half-Control
- Full-Control

PR (Single Assemblies)

Remember to check the number of assemblies required for your circuit configuration.



PS (Series Connection)

Connections available as Special Purpose Assemblies with the following options: device selection and matching; chill blocks and fittings (targets); disc clamp designs with additional spring deflection and additional voltage capabilities, corona (CIV, CEV) and Hipot testing, balancing capacitors, resistors.



PT (Single Assemblies)

Remember to check the number of assemblies required for your circuit configuration.



(3,4) Sink Code: Customer Specific

(5,6,7,8) Device Code: Application Specific

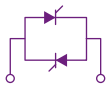
(9,10) Voltage Code:

- 02 = 200
- 04 = 400
- 06 = 600
- 08 = 800
- 10 = 1000
- 12 = 1200
- 14 = 1400
- 16 = 1600
- 18 = 1800
- 20 = 2000
- 22 = 2200
- 24 = 2400
- 26 = 2600
- 28 = 2800
- 30 = 3000

(11,12) Current Code: Customer Specific

Three-Phase AC Switch Discs, Hockey Puks

| Part Number | Voltage | Output Current A _{rms} Amperes | Package Size (inches) | Quantity for 3-Phase | Ambient Temperature (°C) | Inlet Air Velocity (LFM) | Approximate Weight | | Outline Drawings | |
|--------------|---------|---|--------------------------|-------------------------|--------------------------------|-----------------------------|-----------------------|-------|---------------------|------|
| | | | | | | | (lbs) | (kgs) | Number | Page |
| PAA6T6200620 | 600 | 400 | 13.125 x 5.75 x 5.75 | 3 | 50 | 1000 | 12.8 | 5.8 | 1 | J-12 |
| PAA6T6201220 | 1200 | 400 | 13.125 x 5.75 x 5.75 | 3 | 50 | 1000 | 12.8 | 5.8 | 1 | J-12 |
| PAA6T6201620 | 1600 | 400 | 13.125 x 5.75 x 5.75 | 3 | 50 | 1000 | 12.8 | 5.8 | 1 | J-12 |
| PAA7T7200645 | 600 | 600 | 13.125 x 5.625 x 6.25 | 3 | 50 | 1000 | 13.7 | 6.2 | 2 | J-12 |
| PAA7T7201245 | 1200 | 600 | 13.125 x 5.625 x 6.25 | 3 | 50 | 1000 | 13.7 | 6.2 | 2 | J-12 |
| PAA7T7201645 | 1600 | 600 | 13.125 x 5.625 x 6.25 | 3 | 50 | 1000 | 13.7 | 6.2 | 2 | J-12 |
| PAA7T7200655 | 600 | 700 | 13.125 x 5.625 x 6.25 | 3 | 50 | 1000 | 13.7 | 6.2 | 2 | J-12 |
| PAA7T7201255 | 1200 | 700 | 13.125 x 5.625 x 6.25 | 3 | 50 | 1000 | 13.7 | 6.2 | 2 | J-12 |
| PAA7T7201655 | 1600 | 700 | 13.125 x 5.625 x 6.25 | 3 | 50 | 1000 | 13.7 | 6.2 | 2 | J-12 |
| PAA7T7S00675 | 600 | 800 | 13.125 x 5.625 x 5.80 | 3 | 50 | 1000 | 12.8 | 5.8 | 3 | J-13 |
| PAA7T7S01275 | 1200 | 800 | 13.125 x 5.625 x 5.80 | 3 | 50 | 1000 | 12.8 | 5.8 | 3 | J-13 |
| PAA7T7S01675 | 1600 | 800 | 13.125 x 5.625 x 5.80 | 3 | 50 | 1000 | 12.8 | 5.8 | 3 | J-13 |
| PAA9T9G00610 | 600 | 1350 | 17.125 x 9.938 x 6.44 | 3 | 50 | 1000 | 45.0 | 20.4 | 4 | J-13 |
| PAA9T9G01210 | 1200 | 1350 | 17.125 x 9.938 x 6.44 | 3 | 50 | 1000 | 45.0 | 20.4 | 4 | J-13 |
| PAA9T9G01610 | 1600 | 1350 | 17.125 x 9.938 x 6.44 | 3 | 50 | 1000 | 45.0 | 20.4 | 4 | J-13 |
| PAA9T9G00612 | 600 | 1700 | 17.125 x 9.938 x 6.44 | 3 | 50 | 1000 | 45.0 | 20.4 | 4 | J-13 |
| PAA9T9G01212 | 1200 | 1700 | 17.125 x 9.938 x 6.44 | 3 | 50 | 1000 | 45.0 | 20.4 | 4 | J-13 |
| PAA9T9G01612 | 1600 | 1700 | 17.125 x 9.938 x 6.44 | 3 | 50 | 1000 | 45.0 | 20.4 | 4 | J-13 |
| PAAATA200616 | 600 | 2100 | 21.12 x 12.69 x 7.84 | 3 | 50 | 1000 | 86.4 | 39.2 | 5 | J-14 |
| PAAATA201216 | 1200 | 2100 | 21.12 x 12.69 x 7.84 | 3 | 50 | 1000 | 86.4 | 39.2 | 5 | J-14 |
| PAAATA201616 | 1600 | 2100 | 21.12 x 12.69 x 7.84 | 3 | 50 | 1000 | 86.4 | 39.2 | 5 | J-14 |
| PAAATA200618 | 600 | 2500 | 21.12 x 12.69 x 7.84 | 3 | 50 | 1000 | 86.4 | 39.2 | 5 | J-14 |
| PAAATA201218 | 1200 | 2500 | 21.12 x 12.69 x 7.84 | 3 | 50 | 1000 | 86.4 | 39.2 | 5 | J-14 |
| PAAATA201618 | 1600 | 2500 | 21.12 x 12.69 x 7.84 | 3 | 50 | 1000 | 86.4 | 39.2 | 5 | J-14 |



Single Phase Assembly –
3 Required for Three-Phase Circuit

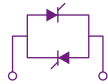
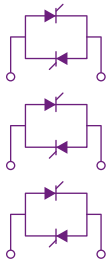
Three-Phase AC Switch

Isolated Modules

| Part Number | Voltage | Output Current A _{rms} Amperes | Package Size (inches) | Quantity for 3-Phase | Ambient Temperature (°C) | Inlet Air Velocity (LFM) | Approximate Weight | | Outline Drawings | |
|--------------|---------|---|--------------------------|-------------------------|--------------------------------|-----------------------------|-----------------------|-------|---------------------|------|
| | | | | | | | (lbs) | (kgs) | Number | Page |
| PAB1CD430890 | 600 | 100 | 6.00 x 4.92 x 7.00 | 1 | 50 | 800 | 6.8 | 3.1 | 6 | J-14 |
| PAB1CD431290 | 1200 | 100 | 6.00 x 4.92 x 7.00 | 1 | 50 | 800 | 6.8 | 3.1 | 6 | J-14 |
| PAB1CD431690 | 1600 | 100 | 6.00 x 4.92 x 7.00 | 1 | 50 | 800 | 6.8 | 3.1 | 6 | J-14 |
| PAB2CD630815 | 600 | 150 | 9.00 x 4.92 x 7.00 | 1 | 50 | 800 | 11.0 | 5.0 | 8 | J-15 |
| PAB2CD631215 | 1200 | 150 | 9.00 x 4.92 x 7.00 | 1 | 50 | 800 | 11.0 | 5.0 | 8 | J-15 |
| PAB2CD631615 | 1600 | 150 | 9.00 x 4.92 x 7.00 | 1 | 50 | 800 | 11.0 | 5.0 | 8 | J-15 |
| PAB3ND430825 | 600 | 200 | 12.00 x 4.92 x 8.00 | 1 | 50 | 800 | 18.75 | 8.5 | 10 | J-16 |
| PAB3ND431225 | 1200 | 200 | 12.00 x 4.92 x 8.00 | 1 | 50 | 800 | 18.75 | 8.5 | 10 | J-16 |
| PAB3ND431625 | 1600 | 200 | 12.00 x 4.92 x 8.00 | 1 | 50 | 800 | 18.75 | 8.5 | 10 | J-16 |
| PAB2LD430850 | 600 | 300 | 9.00 x 4.92 x 8.00 | 3 | 50 | 800 | 12.5 | 5.6 | 12 | J-16 |
| PAB2LD431250 | 1200 | 300 | 9.00 x 4.92 x 8.00 | 3 | 50 | 800 | 12.5 | 5.6 | 12 | J-16 |
| PAB2LD431650 | 1600 | 300 | 9.00 x 4.92 x 8.00 | 3 | 50 | 800 | 12.5 | 5.6 | 12 | J-16 |

PAB1CD430890, PAB1CD431290, PAB1CD431690,
PAB2CD630815, PAB2CD631215, PAB2CD631615,
PAB3ND430825, PAB3ND431225, PAB3ND431625

PAB2LD430850, PAB2LD431250, PAB2LD431650



Single Phase Assembly –
3 Required for Three-Phase Circuit

Three-Phase DC Rectifier Discs, Hockey Puks

| Part Number | Voltage | Output Current Apc Amperes | Package Size (inches) | Quantity for 3-Phase | Ambient Temperature (°C) | Inlet Air Velocity (LFM) | Approximate Weight | | Outline Drawings | |
|--------------|---------|----------------------------------|--------------------------|-------------------------|--------------------------------|-----------------------------|-----------------------|-------|---------------------|------|
| | | | | | | | (lbs) | (kgs) | Number | Page |
| PDA6R6200630 | 600 | 850 | 13.125 x 5.75 x 5.75 | 3 | 50 | 1000 | 12.8 | 5.8 | 1 | J-12 |
| PDA6R6201230 | 1200 | 850 | 13.125 x 5.75 x 5.75 | 3 | 50 | 1000 | 12.8 | 5.8 | 1 | J-12 |
| PDA6R6201630 | 1600 | 850 | 13.125 x 5.75 x 5.75 | 3 | 50 | 1000 | 12.8 | 5.8 | 1 | J-12 |
| PDA7R7S00608 | 600 | 1200 | 13.125 x 5.625 x 5.80 | 3 | 50 | 1000 | 12.8 | 5.8 | 3 | J-13 |
| PDA7R7S01208 | 1200 | 1200 | 13.125 x 5.625 x 5.80 | 3 | 50 | 1000 | 12.8 | 5.8 | 3 | J-13 |
| PDA7R7S01608 | 1600 | 1200 | 13.125 x 5.625 x 5.80 | 3 | 50 | 1000 | 12.8 | 5.8 | 3 | J-13 |
| PDA7R7S00612 | 600 | 1650 | 13.125 x 5.625 x 5.80 | 3 | 50 | 1000 | 12.8 | 5.8 | 3 | J-13 |
| PDA7R7S01212 | 1200 | 1650 | 13.125 x 5.625 x 5.80 | 3 | 50 | 1000 | 12.8 | 5.8 | 3 | J-13 |
| PDA7R7S01612 | 1600 | 1650 | 13.125 x 5.625 x 5.80 | 3 | 50 | 1000 | 12.8 | 5.8 | 3 | J-13 |
| PDA7R7S00616 | 600 | 2450 | 13.125 x 5.625 x 5.80 | 3 | 50 | 1000 | 12.8 | 5.8 | 3 | J-13 |
| PDA7R7S01216 | 1200 | 2450 | 13.125 x 5.625 x 5.80 | 3 | 50 | 1000 | 12.8 | 5.8 | 3 | J-13 |
| PDA7R7S01616 | 1600 | 2450 | 13.125 x 5.625 x 5.80 | 3 | 50 | 1000 | 12.8 | 5.8 | 3 | J-13 |
| PDA9R9G00612 | 600 | 2700 | 17.125 x 9.938 x 6.44 | 3 | 50 | 1000 | 45.0 | 20.4 | 4 | J-13 |
| PDA9R9G01212 | 1200 | 2700 | 17.125 x 9.938 x 6.44 | 3 | 50 | 1000 | 45.0 | 20.4 | 4 | J-13 |
| PDA9R9G01612 | 1600 | 2700 | 17.125 x 9.938 x 6.44 | 3 | 50 | 1000 | 45.0 | 20.4 | 4 | J-13 |
| PDA9R9G00618 | 600 | 3300 | 17.125 x 9.938 x 6.44 | 3 | 50 | 1000 | 45.0 | 20.4 | 4 | J-13 |
| PDA9R9G01218 | 1200 | 3300 | 17.125 x 9.938 x 6.44 | 3 | 50 | 1000 | 45.0 | 20.4 | 4 | J-13 |
| PDA9R9G01618 | 1600 | 3300 | 17.125 x 9.938 x 6.44 | 3 | 50 | 1000 | 45.0 | 20.4 | 4 | J-13 |
| PDA9R9G00622 | 600 | 4500 | 17.125 x 9.938 x 6.44 | 3 | 50 | 1000 | 45.0 | 20.4 | 4 | J-13 |
| PDA9R9G01222 | 1200 | 4500 | 17.125 x 9.938 x 6.44 | 3 | 50 | 1000 | 45.0 | 20.4 | 4 | J-13 |
| PDA9R9G01622 | 1600 | 4500 | 17.125 x 9.938 x 6.44 | 3 | 50 | 1000 | 45.0 | 20.4 | 4 | J-13 |
| PDAARA200636 | 600 | 5800 | 21.12 x 12.69 x 7.84 | 3 | 50 | 1000 | 86.4 | 39.2 | 5 | J-14 |
| PDAARA201236 | 1200 | 5800 | 21.12 x 12.69 x 7.84 | 3 | 50 | 1000 | 86.4 | 39.2 | 5 | J-14 |
| PDAARA201636 | 1600 | 5800 | 21.12 x 12.69 x 7.84 | 3 | 50 | 1000 | 86.4 | 39.2 | 5 | J-14 |



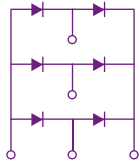
Single Phase Assembly –
3 Required for Three-Phase Circuit

Three-Phase DC Rectifier Isolated Modules

| Part Number | Voltage | Output Current A _{DC} Amperes | Package Size (inches) | Quantity for 3-Phase | Ambient Temperature (°C) | Inlet Air Velocity (LFM) | Approximate Weight | | Outline Drawings | |
|--------------|---------|--|--------------------------|-------------------------|--------------------------------|-----------------------------|-----------------------|-------|---------------------|------|
| | | | | | | | (lbs) | (kgs) | Number | Page |
| PDB1CD410899 | 600 | 150 | 6.00 x 4.92 x 7.00 | 1 | 50 | 800 | 6.8 | 3.1 | 7 | J-15 |
| PDB1CD411299 | 1200 | 150 | 6.00 x 4.92 x 7.00 | 1 | 50 | 800 | 6.8 | 3.1 | 7 | J-15 |
| PDB1CD411699 | 1600 | 150 | 6.00 x 4.92 x 7.00 | 1 | 50 | 800 | 6.8 | 3.1 | 7 | J-15 |
| PDB2CD610816 | 600 | 200 | 9.00 x 4.92 x 7.00 | 1 | 50 | 800 | 11.0 | 5.0 | 9 | J-15 |
| PDB2CD611216 | 1200 | 200 | 9.00 x 4.92 x 7.00 | 1 | 50 | 800 | 11.0 | 5.0 | 9 | J-15 |
| PDB2CD611616 | 1600 | 200 | 9.00 x 4.92 x 7.00 | 1 | 50 | 800 | 11.0 | 5.0 | 9 | J-15 |
| PDB3ND410626 | 600 | 300 | 15.00 x 4.92 x 8.00 | 1 | 50 | 800 | 18.75 | 8.5 | 11 | J-16 |
| PDB3ND411226 | 1200 | 300 | 15.00 x 4.92 x 8.00 | 1 | 50 | 800 | 18.75 | 8.5 | 11 | J-16 |
| PDB3ND411626 | 1600 | 300 | 15.00 x 4.92 x 8.00 | 1 | 50 | 800 | 18.75 | 8.5 | 11 | J-16 |
| PDB2LD410860 | 600 | 450 | 9.00 x 4.92 x 8.00 | 3 | 50 | 800 | 12.5 | 5.6 | 12 | J-16 |
| PDB2LD411260 | 1200 | 450 | 9.00 x 4.92 x 8.00 | 3 | 50 | 800 | 12.5 | 5.6 | 12 | J-16 |
| PDB2LD411660 | 1600 | 450 | 9.00 x 4.92 x 8.00 | 3 | 50 | 800 | 12.5 | 5.6 | 12 | J-16 |

PDB1CD410899, PDB1CD411299, PDB1CD411699,
PDB2CD610816, PDB2CD611216, PDB2CD611616,
PDB3ND410626, PDB3ND411226, PDB3ND411626

PDB2LD410860, PDB2LD411260, PDB2LD411660



Three-Phase Half Controlled Rectifier Discs, Hockey Pucks

| Part Number | Voltage | Output Current Apc Amperes | Package Size (inches) | Quantity for 3-Phase | Ambient Temperature (°C) | Inlet Air Velocity (LFM) | Approximate Weight | | Outline Drawings | |
|--------------|---------|----------------------------------|--------------------------|-------------------------|--------------------------------|-----------------------------|-----------------------|-------|---------------------|------|
| | | | | | | | (lbs) | (kgs) | Number | Page |
| PDA6T6R60620 | 600 | 500 | 13.125 x 5.75 x 5.75 | 3 | 50 | 1000 | 12.8 | 5.8 | 1 | J-12 |
| PDA6T6R61220 | 1200 | 500 | 13.125 x 5.75 x 5.75 | 3 | 50 | 1000 | 12.8 | 5.8 | 1 | J-12 |
| PDA6T6R61620 | 1600 | 500 | 13.125 x 5.75 x 5.75 | 3 | 50 | 1000 | 12.8 | 5.8 | 1 | J-12 |
| PDA6T6R60630 | 600 | 600 | 13.125 x 5.75 x 5.75 | 3 | 50 | 1000 | 12.8 | 5.8 | 1 | J-12 |
| PDA6T6R61230 | 1200 | 600 | 13.125 x 5.75 x 5.75 | 3 | 50 | 1000 | 12.8 | 5.8 | 1 | J-12 |
| PDA6T6R61630 | 1600 | 600 | 13.125 x 5.75 x 5.75 | 3 | 50 | 1000 | 12.8 | 5.8 | 1 | J-12 |
| PDA7T7R70645 | 600 | 800 | 13.125 x 5.625 x 6.25 | 3 | 50 | 1000 | 13.7 | 6.2 | 2 | J-12 |
| PDA7T7R71245 | 1200 | 800 | 13.125 x 5.625 x 6.25 | 3 | 50 | 1000 | 13.7 | 6.2 | 2 | J-12 |
| PDA7T7R71645 | 1600 | 800 | 13.125 x 5.625 x 6.25 | 3 | 50 | 1000 | 13.7 | 6.2 | 2 | J-12 |
| PDA7TSRS0665 | 600 | 950 | 13.125 x 5.625 x 5.80 | 3 | 50 | 1000 | 12.8 | 5.8 | 3 | J-13 |
| PDA7TSRS1265 | 1200 | 950 | 13.125 x 5.625 x 5.80 | 3 | 50 | 1000 | 12.8 | 5.8 | 3 | J-13 |
| PDA7TSRS1665 | 1600 | 950 | 13.125 x 5.625 x 5.80 | 3 | 50 | 1000 | 12.8 | 5.8 | 3 | J-13 |
| PDA7TSRS0675 | 600 | 1000 | 13.125 x 5.625 x 5.80 | 3 | 50 | 1000 | 12.8 | 5.8 | 3 | J-13 |
| PDA7TSRS1275 | 1200 | 1000 | 13.125 x 5.625 x 5.80 | 3 | 50 | 1000 | 12.8 | 5.8 | 3 | J-13 |
| PDA7TSRS1675 | 1600 | 1000 | 13.125 x 5.625 x 5.80 | 3 | 50 | 1000 | 12.8 | 5.8 | 3 | J-13 |
| PDA9T9R90610 | 600 | 1750 | 17.125 x 9.938 x 6.44 | 3 | 50 | 1000 | 45.0 | 20.4 | 4 | J-13 |
| PDA9T9R91210 | 1200 | 1750 | 17.125 x 9.938 x 6.44 | 3 | 50 | 1000 | 45.0 | 20.4 | 4 | J-13 |
| PDA9T9R91610 | 1600 | 1750 | 17.125 x 9.938 x 6.44 | 3 | 50 | 1000 | 45.0 | 20.4 | 4 | J-13 |
| PDA9T9R90612 | 600 | 2200 | 17.125 x 9.938 x 6.44 | 3 | 50 | 1000 | 45.0 | 20.4 | 4 | J-13 |
| PDA9T9R91212 | 1200 | 2200 | 17.125 x 9.938 x 6.44 | 3 | 50 | 1000 | 45.0 | 20.4 | 4 | J-13 |
| PDA9T9R91612 | 1600 | 2200 | 17.125 x 9.938 x 6.44 | 3 | 50 | 1000 | 45.0 | 20.4 | 4 | J-13 |
| PDAATARA0618 | 600 | 3300 | 21.12 x 12.69 x 7.84 | 3 | 50 | 1000 | 86.4 | 39.2 | 5 | J-14 |
| PDAATARA1218 | 1200 | 3300 | 21.12 x 12.69 x 7.84 | 3 | 50 | 1000 | 86.4 | 39.2 | 5 | J-14 |
| PDAATARA1618 | 1600 | 3300 | 21.12 x 12.69 x 7.84 | 3 | 50 | 1000 | 86.4 | 39.2 | 5 | J-14 |



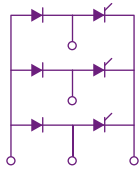
Single Phase Assembly –
3 Required for Three-Phase Circuit

Three-Phase Half Controlled Rectifier Isolated Modules

| Part Number | Voltage | Output Current A _{DC} Amperes | Package Size (inches) | Quantity for 3-Phase | Ambient Temperature (°C) | Inlet Air Velocity (LFM) | Approximate Weight | | Outline Drawings | |
|--------------|---------|--|--------------------------|-------------------------|--------------------------------|-----------------------------|-----------------------|-------|---------------------|------|
| | | | | | | | (lbs) | (kgs) | Number | Page |
| PDB1CD420890 | 600 | 150 | 6.00 x 4.92 x 7.00 | 1 | 50 | 800 | 6.8 | 3.1 | 7 | J-15 |
| PDB1CD421290 | 1200 | 150 | 6.00 x 4.92 x 7.00 | 1 | 50 | 800 | 6.8 | 3.1 | 7 | J-15 |
| PDB1CD421690 | 1600 | 150 | 6.00 x 4.92 x 7.00 | 1 | 50 | 800 | 6.8 | 3.1 | 7 | J-15 |
| PDB2CD620815 | 600 | 200 | 9.00 x 4.92 x 7.00 | 1 | 50 | 800 | 11.0 | 5.0 | 9 | J-15 |
| PDB2CD621215 | 1200 | 200 | 9.00 x 4.92 x 7.00 | 1 | 50 | 800 | 11.0 | 5.0 | 9 | J-15 |
| PDB2CD621615 | 1600 | 200 | 9.00 x 4.92 x 7.00 | 1 | 50 | 800 | 11.0 | 5.0 | 9 | J-15 |
| PDB3ND420625 | 600 | 300 | 15.00 x 4.92 x 8.00 | 1 | 50 | 800 | 18.75 | 8.5 | 11 | J-16 |
| PDB3ND421225 | 1200 | 300 | 15.00 x 4.92 x 8.00 | 1 | 50 | 800 | 18.75 | 8.5 | 11 | J-16 |
| PDB3ND421625 | 1600 | 300 | 15.00 x 4.92 x 8.00 | 1 | 50 | 800 | 18.75 | 8.5 | 11 | J-16 |
| PDB2LD420850 | 600 | 450 | 9.00 x 4.92 x 8.00 | 3 | 50 | 800 | 12.5 | 5.6 | 12 | J-16 |
| PDB2LD421250 | 1200 | 450 | 9.00 x 4.92 x 8.00 | 3 | 50 | 800 | 12.5 | 5.6 | 12 | J-16 |
| PDB2LD421650 | 1600 | 450 | 9.00 x 4.92 x 8.00 | 3 | 50 | 800 | 12.5 | 5.6 | 12 | J-16 |

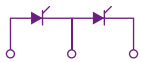
PDB1CD420890, PDB1CD421290, PDB1CD421690,
PDB2CD620815, PDB2CD621215, PDB2CD621615,
PDB3ND420625, PDB3ND421225, PDB3ND421625

PDB2LD420850, PDB2LD421250, PDB2LD421650



Three-Phase Full Controlled Rectifier Discs, Hockey Puks

| Part Number | Voltage | Output Current Apc Amperes | Package Size (inches) | Quantity for 3-Phase | Ambient Temperature (°C) | Inlet Air Velocity (LFM) | Approximate Weight | | Outline Drawings | |
|--------------|---------|----------------------------------|--------------------------|-------------------------|--------------------------------|-----------------------------|-----------------------|-------|---------------------|------|
| | | | | | | | (lbs) | (kgs) | Number | Page |
| PDA6T6200620 | 600 | 500 | 13.125 x 5.75 x 5.75 | 3 | 50 | 1000 | 12.8 | 5.8 | 1 | J-12 |
| PDA6T6201220 | 1200 | 500 | 13.125 x 5.75 x 5.75 | 3 | 50 | 1000 | 12.8 | 5.8 | 1 | J-12 |
| PDA6T6201620 | 1600 | 500 | 13.125 x 5.75 x 5.75 | 3 | 50 | 1000 | 12.8 | 5.8 | 1 | J-12 |
| PDA6T6200630 | 600 | 600 | 13.125 x 5.75 x 5.75 | 3 | 50 | 1000 | 12.8 | 5.8 | 1 | J-12 |
| PDA6T6201230 | 1200 | 600 | 13.125 x 5.75 x 5.75 | 3 | 50 | 1000 | 12.8 | 5.8 | 1 | J-12 |
| PDA6T6201630 | 1600 | 600 | 13.125 x 5.75 x 5.75 | 3 | 50 | 1000 | 12.8 | 5.8 | 1 | J-12 |
| PDA7T7200645 | 600 | 800 | 13.125 x 5.625 x 6.25 | 3 | 50 | 1000 | 13.7 | 6.2 | 2 | J-12 |
| PDA7T7201245 | 1200 | 800 | 13.125 x 5.625 x 6.25 | 3 | 50 | 1000 | 13.7 | 6.2 | 2 | J-12 |
| PDA7T7201645 | 1600 | 800 | 13.125 x 5.625 x 6.25 | 3 | 50 | 1000 | 13.7 | 6.2 | 2 | J-12 |
| PDA7T7S00665 | 600 | 950 | 13.125 x 5.625 x 5.80 | 3 | 50 | 1000 | 12.8 | 5.8 | 3 | J-13 |
| PDA7T7S01265 | 1200 | 950 | 13.125 x 5.625 x 5.80 | 3 | 50 | 1000 | 12.8 | 5.8 | 3 | J-13 |
| PDA7T7S01665 | 1600 | 950 | 13.125 x 5.625 x 5.80 | 3 | 50 | 1000 | 12.8 | 5.8 | 3 | J-13 |
| PDA7T7S00675 | 600 | 1000 | 13.125 x 5.625 x 5.80 | 3 | 50 | 1000 | 12.8 | 5.8 | 3 | J-13 |
| PDA7T7S01275 | 1200 | 1000 | 13.125 x 5.625 x 5.80 | 3 | 50 | 1000 | 12.8 | 5.8 | 3 | J-13 |
| PDA7T7S01675 | 1600 | 1000 | 13.125 x 5.625 x 5.80 | 3 | 50 | 1000 | 12.8 | 5.8 | 3 | J-13 |
| PDA9T9G00610 | 600 | 1750 | 17.125 x 9.938 x 6.44 | 3 | 50 | 1000 | 45.0 | 20.4 | 4 | J-13 |
| PDA9T9G01210 | 1200 | 1750 | 17.125 x 9.938 x 6.44 | 3 | 50 | 1000 | 45.0 | 20.4 | 4 | J-13 |
| PDA9T9G01610 | 1600 | 1750 | 17.125 x 9.938 x 6.44 | 3 | 50 | 1000 | 45.0 | 20.4 | 4 | J-13 |
| PDA9T9G00612 | 600 | 2200 | 17.125 x 9.938 x 6.44 | 3 | 50 | 1000 | 45.0 | 20.4 | 4 | J-13 |
| PDA9T9G01212 | 1200 | 2200 | 17.125 x 9.938 x 6.44 | 3 | 50 | 1000 | 45.0 | 20.4 | 4 | J-13 |
| PDA9T9G01612 | 1600 | 2200 | 17.125 x 9.938 x 6.44 | 3 | 50 | 1000 | 45.0 | 20.4 | 4 | J-13 |
| PDAATA200618 | 600 | 3300 | 21.12 x 12.69 x 7.84 | 3 | 50 | 1000 | 86.4 | 39.2 | 5 | J-14 |
| PDAATA201218 | 1200 | 3300 | 21.12 x 12.69 x 7.84 | 3 | 50 | 1000 | 86.4 | 39.2 | 5 | J-14 |
| PDAATA201618 | 1600 | 3300 | 21.12 x 12.69 x 7.84 | 3 | 50 | 1000 | 86.4 | 39.2 | 5 | J-14 |

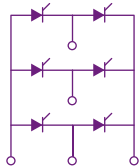


Single Phase Assembly –
3 Required for Three-Phase Circuit

Three-Phase Full Controlled Rectifier Isolated Modules

| Part Number | Voltage | Output Current A _{DC} Amperes | Package Size (inches) | Quantity for 3-Phase | Ambient Temperature (°C) | Inlet Air Velocity (LFM) | Approximate Weight | | Outline Drawings | |
|--------------|---------|--|--------------------------|-------------------------|--------------------------------|-----------------------------|-----------------------|-------|---------------------|------|
| | | | | | | | (lbs) | (kgs) | Number | Page |
| PDB1CD430890 | 600 | 150 | 6.00 x 4.92 x 7.00 | 1 | 50 | 800 | 6.8 | 3.1 | 7 | J-15 |
| PDB1CD431290 | 1200 | 150 | 6.00 x 4.92 x 7.00 | 1 | 50 | 800 | 6.8 | 3.1 | 7 | J-15 |
| PDB1CD431690 | 1600 | 150 | 6.00 x 4.92 x 7.00 | 1 | 50 | 800 | 6.8 | 3.1 | 7 | J-15 |
| PDB2CD630815 | 600 | 200 | 9.00 x 4.92 x 7.00 | 1 | 50 | 800 | 11.0 | 5.0 | 9 | J-15 |
| PDB2CD631215 | 1200 | 200 | 9.00 x 4.92 x 7.00 | 1 | 50 | 800 | 11.0 | 5.0 | 9 | J-15 |
| PDB2CD631615 | 1600 | 200 | 9.00 x 4.92 x 7.00 | 1 | 50 | 800 | 11.0 | 5.0 | 9 | J-15 |
| PDB3ND430625 | 600 | 300 | 15.00 x 4.92 x 8.00 | 1 | 50 | 800 | 18.75 | 8.5 | 11 | J-16 |
| PDB3ND431225 | 1200 | 300 | 15.00 x 4.92 x 8.00 | 1 | 50 | 800 | 18.75 | 8.5 | 11 | J-16 |
| PDB3ND431625 | 1600 | 300 | 15.00 x 4.92 x 8.00 | 1 | 50 | 800 | 18.75 | 8.5 | 11 | J-16 |
| PDB2LD430850 | 600 | 450 | 9.00 x 4.92 x 8.00 | 3 | 50 | 800 | 12.5 | 5.6 | 12 | J-16 |
| PDB2LD431250 | 1200 | 450 | 9.00 x 4.92 x 8.00 | 3 | 50 | 800 | 12.5 | 5.6 | 12 | J-16 |
| PDB2LD431650 | 1600 | 450 | 9.00 x 4.92 x 8.00 | 3 | 50 | 800 | 12.5 | 5.6 | 12 | J-16 |

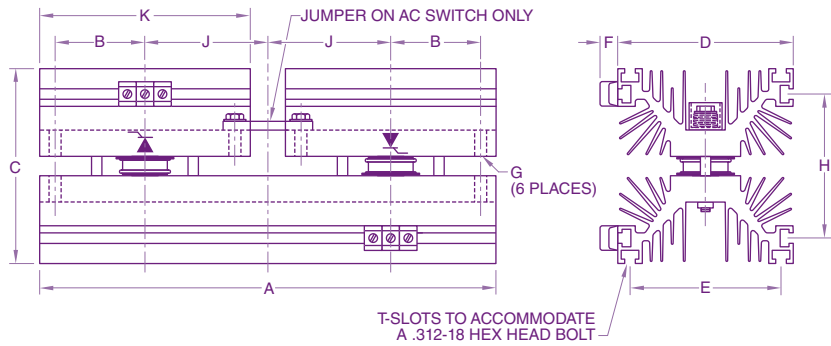
PDB1CD430890, PDB1CD431290, PDB1CD431690,
PDB2CD630815, PDB2CD631215, PDB2CD631615,
PDB3ND430625, PDB3ND431225, PDB3ND431625



PDB2LD430850, PDB2LD431250, PDB2LD431650

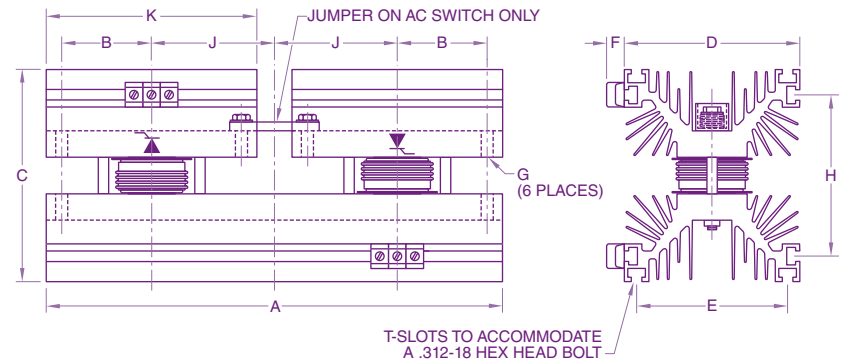


1 PAA6T6200620, PAA6T6201220, PAA6T6201620, PDA6R6200630, PDA6R6201230, PDA6R6201630, PDA6T6200620, PDA6T6200630, PDA6T6201220, PDA6T6201230, PDA6T6201620, PDA6T6201630, PDA6T6R60620, PDA6T6R60630, PDA6T6R61220, PDA6T6R61230, PDA6T6R61620, PDA6T6R61630



| Dim. | Inches | Millimeters |
|------|------------|-------------|
| A | 13.06 Max. | 331.72 Max. |
| B | 2.56 | 65.0 |
| C | 5.60 Max. | 142.24 Max. |
| D | 5.06 Max. | 128.52 Max. |
| E | 4.25 Ref. | 107.9 Ref. |
| F | 0.5 Ref. | 12.7 Ref. |
| G | 0.344 Dia. | 8.75 Dia. |
| H | 4.10 Ref. | 104.14 Ref. |
| J | 3.5 Ref. | 88.9 Ref. |
| K | 6.0 Ref. | 152.4 Ref. |

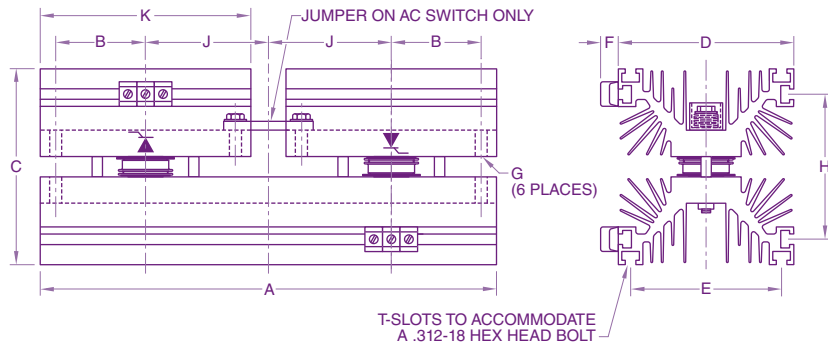
2 PAA7T7200645, PAA7T7200655, PAA7T7201245, PAA7T7201255, PAA7T7201645, PAA7T7201655, PDA7T7200645, PDA7T7201245, PDA7T7201645, PDA7T7R70645, PDA7T7R71245, PDA7T7R71645



| Dim. | Inches | Millimeters |
|------|------------|-------------|
| A | 13.06 Max. | 331.72 Max. |
| B | 2.56 | 65.0 |
| C | 6.06 Max. | 153.92 Max. |
| D | 5.06 Max. | 128.52 Max. |
| E | 4.25 Ref. | 107.9 Ref. |
| F | 0.5 Ref. | 12.7 Ref. |
| G | 0.344 Dia. | 8.75 Dia. |
| H | 4.59 Ref. | 116.58 Ref. |
| J | 3.5 Ref. | 88.9 Ref. |
| K | 6.0 Ref. | 152.4 Ref. |

3

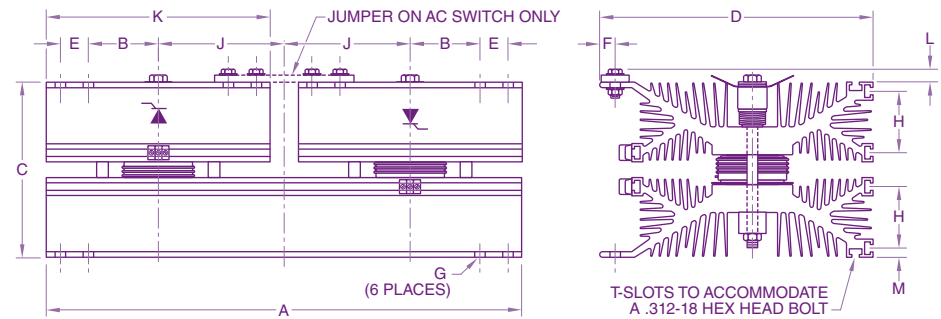
PAA7T7S00675, PAA7T7S01275, PAA7T7S01675, PDA7R7S00608, PDA7R7S00612, PDA7R7S00616, PDA7R7S01208, PDA7R7S01212, PDA7R7S01216, PDA7R7S01608, PDA7R7S01612, PDA7R7S01616, PDA7TSRS0665, PDA7TSRS0675, PDA7TSRS1265, PDA7TSRS1275, PDA7TSRS1665, PDA7TSRS1675, PDA7T7S00665, PDA7T7S00675, PDA7T7S01265, PDA7T7S01275, PDA7T7S01665, PDA7T7S01675



| Dim. | Inches | Millimeters |
|------|------------|-------------|
| A | 13.06 Max. | 331.72 Max. |
| B | 2.56 | 65.0 |
| C | 5.64 Max. | 143.26 Max. |
| D | 5.06 Max. | 128.52 Max. |
| E | 4.25 Ref. | 107.9 Ref. |
| F | 0.5 Ref. | 12.7 Ref. |
| G | 0.344 Dia. | 8.75 Dia. |
| H | 4.13 Ref. | 104.9 Ref. |
| J | 3.5 Ref. | 88.9 Ref. |
| K | 6.0 Ref. | 152.4 Ref. |

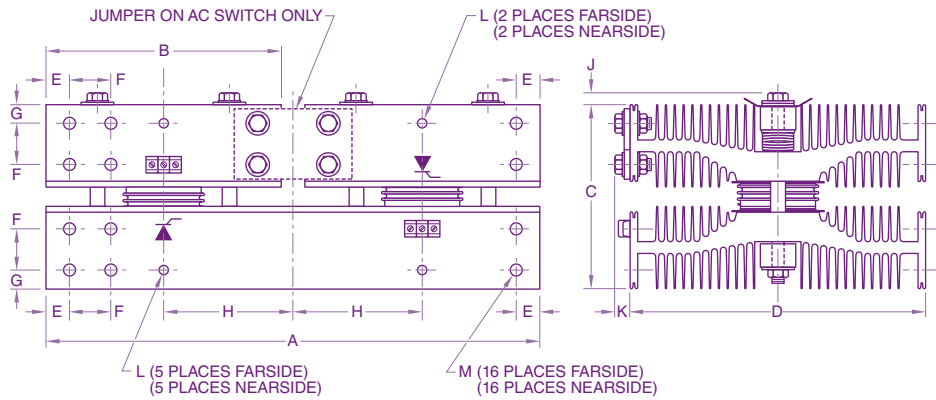
4

PAA9T9G00610, PAA9T9G00612, PAA9T9G01210, PAA9T9G01212, PAA9T9G01610, PAA9T9G01612, PDA9R9G00612, PDA9R9G00618, PDA9R9G00622, PDA9R9G01212, PDA9R9G01218, PDA9R9G01222, PDA9R9G01612, PDA9R9G01618, PDA9R9G01622, PDA9T9G00610, PDA9T9G00612, PDA9T9G01210, PDA9T9G01212, PDA9T9G01610, PDA9T9G01612, PDA9T9R90610, PDA9T9R90612, PDA9T9R91210, PDA9T9R91212, PDA9T9R91610, PDA9T9R91612



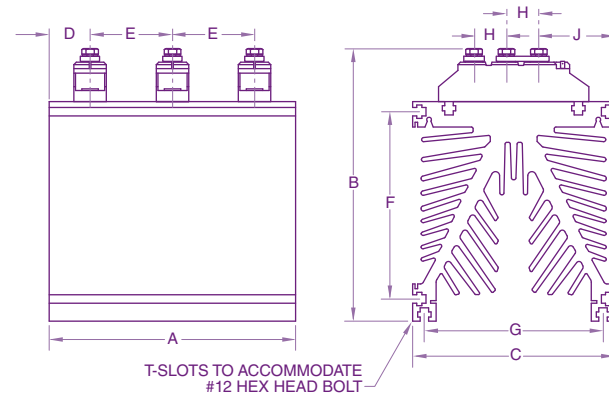
| Dim. | Inches | Millimeters |
|------|------------|-------------|
| A | 17.06 Max. | 433.32 Max. |
| B | 2.5 | 63.5 |
| C | 6.3 Max. | 160.02 Max. |
| D | 9.86 Max. | 250.95 Max. |
| E | 1.0 | 25.4 |
| F | 0.75 Ref. | 19.05 Ref. |
| G | 0.375 Dia. | 9.525 Dia. |
| H | 2.16 Ref. | 54.86 Ref. |
| J | 4.5 Ref. | 114.3 Ref. |
| K | 8.0 Ref. | 203.2 Ref. |
| L | 0.5 Max. | 12.7 Max. |
| M | 0.33 Ref. | 8.38 Ref. |

5 PAAATA200616, PAAATA200618, PAAATA201216, PAAATA201218, PAAATA201616, PAAATA201618, PDAARA200636, PDAARA201236, PDAARA201636, PDAATARA0618, PDAATARA1218, PDAATARA1618, PDAATA200618, PDAATA201218, PDAATA201618



| Dim. | Inches | Millimeters |
|------|------------|-------------|
| A | 21.06 Max. | 534.92 Max. |
| B | 10.0 Ref. | 254.0 Ref. |
| C | 7.89 Max. | 200.4 Max. |
| D | 12.69 Max. | 322.33 Max. |
| E | 1.0 | 25.4 |
| F | 1.75 | 44.45 |
| G | 0.81 | 20.57 |
| H | 5.50 | 139.7 |
| J | 0.58 Ref. | 14.73 Ref. |
| K | 0.65 Ref. | 16.51 Ref. |

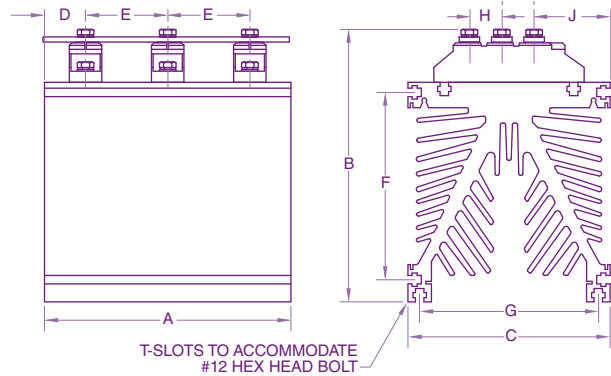
6 PAB1CD430890, PAB1CD431290, PAB1CD431690



| Dim. | Inches | Millimeters |
|------|-----------|-------------|
| A | 6.0 | 152.5 |
| B | 7.0 Max. | 177.83 Max. |
| C | 4.92 Max. | 125.0 Max. |
| D | 1.0 | 25.4 |
| E | 2.0 | 50.8 |
| F | 4.53 | 115.06 |
| G | 4.33 | 109.98 |
| H | 0.79 | 20.07 |
| J | 1.5 | 31.1 |

7

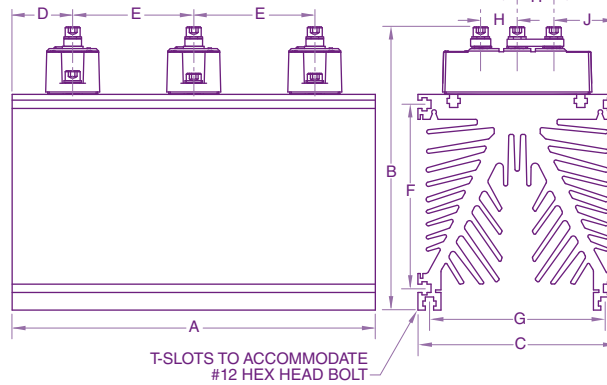
PDB1CD410899, PDB1CD411299, PDB1CD411699,
PDB1CD420890, PDB1CD421290, PDB1CD421690,
PDB1CD430890, PDB1CD431290, PDB1CD431690



| Dim. | Inches | Millimeters |
|------|-----------|-------------|
| A | 6.0 | 152.5 |
| B | 7.0 Max. | 177.83 Max. |
| C | 4.92 Max. | 125.0 Max. |
| D | 1.0 | 25.4 |
| E | 2.0 | 50.8 |
| F | 4.53 | 115.06 |
| G | 4.33 | 109.98 |
| H | 0.79 | 20.07 |
| J | 1.5 | 31.1 |

8

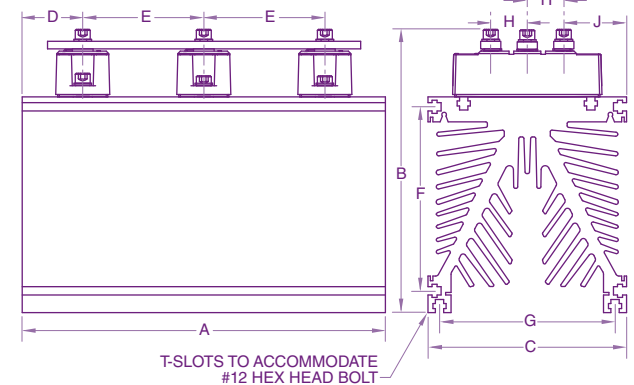
PAB2CD630815, PAB2CD631215, PAB2CD631615



| Dim. | Inches | Millimeters |
|------|-----------|-------------|
| A | 9.0 | 228.6 |
| B | 7.0 Max. | 177.83 Max. |
| C | 4.92 Max. | 125.0 Max. |
| D | 1.5 | 31.1 |
| E | 3.0 | 76.2 |
| F | 4.53 | 115.06 |
| G | 4.33 | 109.98 |
| H | 0.91 | 23.11 |
| J | 1.56 | 39.62 |

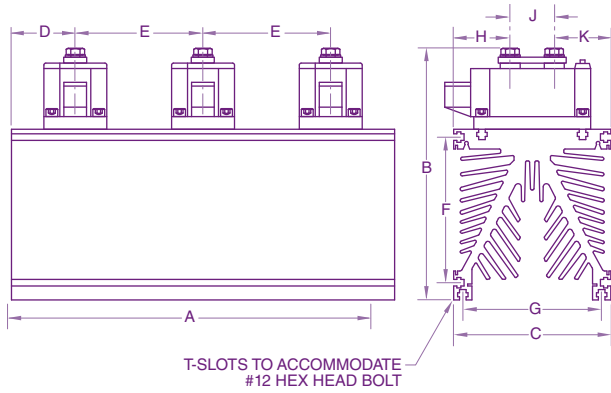
9

PDB2CD610816, PDB2CD611216, PDB2CD611616,
PDB2CD620815, PDB2CD621215, PDB2CD621615,
PDB2CD630815, PDB2CD631215, PDB2CD631615



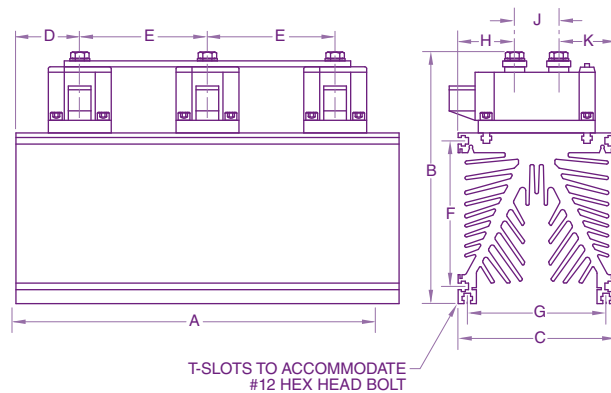
| Dim. | Inches | Millimeters |
|------|-----------|-------------|
| A | 9.0 | 228.6 |
| B | 7.0 Max. | 177.83 Max. |
| C | 4.92 Max. | 125.0 Max. |
| D | 1.5 | 31.1 |
| E | 3.0 | 76.2 |
| F | 4.53 | 115.06 |
| G | 4.33 | 109.98 |
| H | 0.91 | 23.11 |
| J | 1.56 | 39.62 |

10 PAB3ND430825, PAB3ND431225, PAB3ND431625



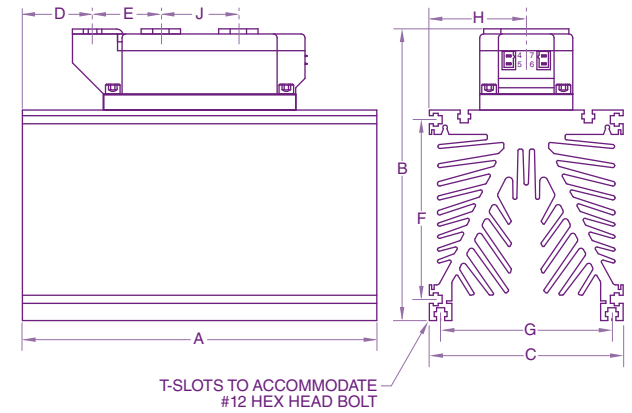
| Dim. | Inches | Millimeters |
|------|-----------|-------------|
| A | 12.0 | 304.8 |
| B | 8.0 Max. | 203.2 Max. |
| C | 4.92 Max. | 125.0 Max. |
| D | 2.0 | 50.8 |
| E | 4.0 | 101.6 |
| F | 4.53 | 115.06 |
| G | 4.33 | 109.98 |
| H | 1.7 | 43.18 |
| J | 1.38 | 35.05 |
| K | 1.77 | 44.96 |

11 PDB3ND410626, PDB3ND411226, PDB3ND411626, PDB3ND420625, PDB3ND421225, PDB3ND421625, PDB3ND430625, PDB3ND431225, PDB3ND431625



| Dim. | Inches | Millimeters |
|------|-----------|-------------|
| A | 12.0 | 304.8 |
| B | 8.0 Max. | 203.2 Max. |
| C | 4.92 Max. | 125.0 Max. |
| D | 2.0 | 50.8 |
| E | 4.0 | 101.6 |
| F | 4.53 | 115.06 |
| G | 4.33 | 109.98 |
| H | 1.7 | 43.18 |
| J | 1.38 | 35.05 |
| K | 1.77 | 44.96 |

12 PAB2LD430850, PAB2LD431250, PAB2LD431650, PDB2LD410860, PDB2LD411260, PDB2LD411660, PDB2LD420850, PDB2LD421250, PDB2LD421650, PDB2LD430850, PDB2LD431250, PDB2LD431650



| Dim. | Inches | Millimeters |
|------|-----------|-------------|
| A | 9.0 | 228.6 |
| B | 8.0 Max. | 203.2 Max. |
| C | 4.92 Max. | 125.0 Max. |
| D | 1.78 | 45.21 |
| E | 1.73 | 43.94 |
| F | 4.53 | 115.06 |
| G | 4.33 | 109.98 |
| H | 2.46 | 62.48 |
| J | 1.97 | 50.04 |