

M81049P/SP/FP

OCTAL D-TYPE FLIP-FLOP DRIVER WITH CLEAR

DESCRIPTION

M81049 is octal D-type flip-flop driver by 20-pin package. It has 8 same circuit units which is composed of D-type flip-flop logic circuit and high voltage NchMOS output transistor. M81049 has a common direct clear input and a common clock input.

FEATURES

- Lineup with three packages
- High breakdown voltage ($BV_{DSX} \geq 40V$)
- Drain output current ($I_{DS(max)} = 200mA$)
- With input protection diodes
- Pin assignment of input-output flow through
- Wide operating temperature range ($T_a = -40$ to $+85^\circ C$)

APPLICATION

LED drive

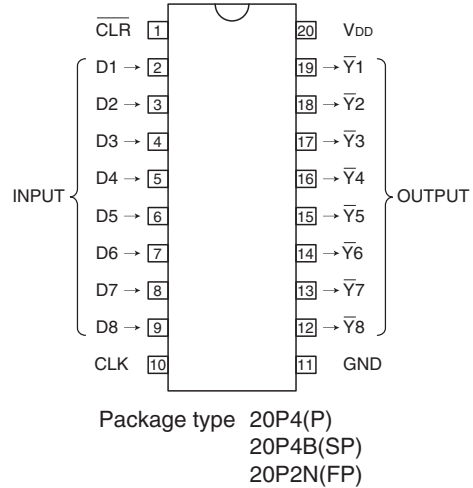
FUNCTION

The common direct clear input and common clock input are connected to every circuit unit by the same way. Signal at the D inputs is transferred to \bar{Y} outputs by D-type flip-flops on the positive-going edge of the clock pulse.

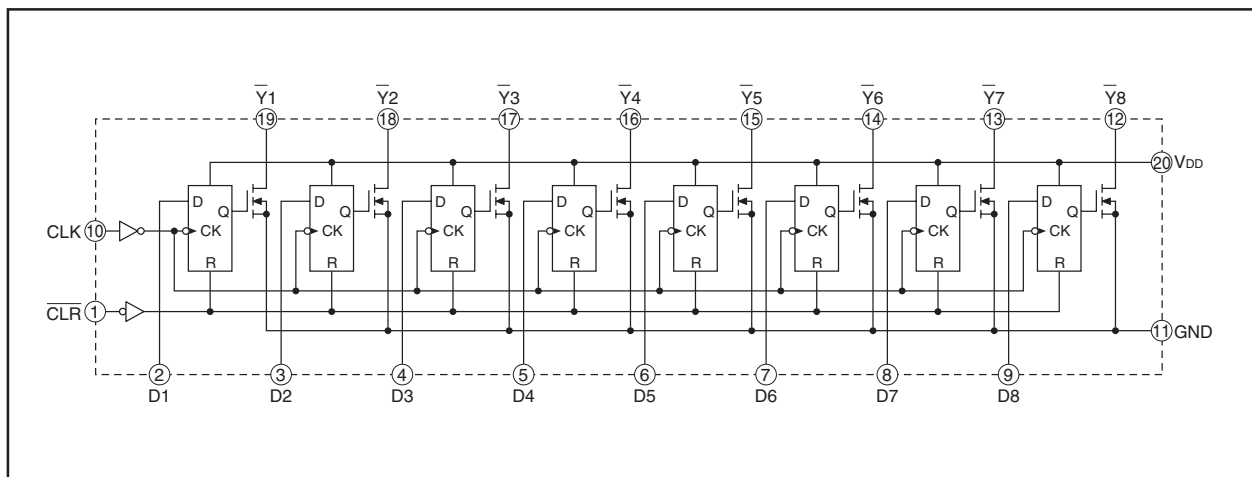
If \overline{CLR} is set to "L", outputs $\bar{Y}1$ - $\bar{Y}8$ will be altogether set to "H" regardless of D1-D8 and CLK.

The maximum drain current of an output is 200mA. The maximum between drain-source is 40V.

PIN CONFIGURATION (TOP VIEW)



LOGIC DIAGRAM (POSITIVE LOGIC)



M81049P/SP/FP

OCTAL D-TYPE FLIP-FLOP DRIVER WITH CLEAR

FUNCTION TABLE (EACH CHANNEL)

INPUT			OUTPUT : \bar{Y}
CLR	CLK	D	
L	X	X	H
H	↑	L	H
H	↑	H	L
H	L	X	Latched
H	↓	X	Latched

↑ : "L" to "H"

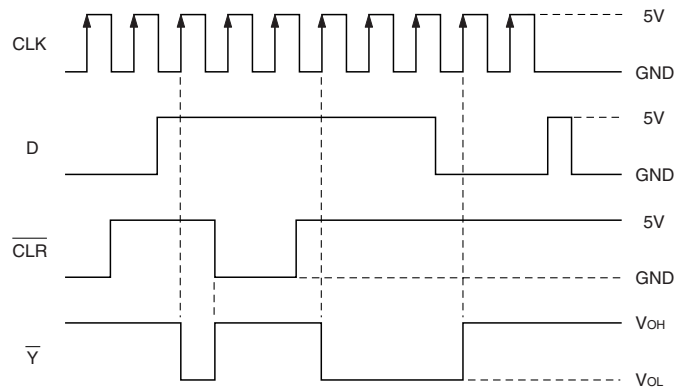
↓ : "H" to "L"

H : High level

L : Low level

X : Irrelevant

TIMING DIAGRAM



ABSOLUTE MAXIMUM RATINGS (Unless otherwise noted, Ta = -40 ~ +85°C)

Symbol	Parameter	Conditions	Ratings	Unit	
V _{DD}	Supply voltage		7	V	
V _{DS}	Drain-to-source voltage	Output, H	-0.5 ~ +40	V	
V _I	Input voltage		-0.5 ~ V _{DD}	V	
I _{DS}	Drain output current	Current per circuit output, L	200	mA	
P _d	Power dissipation	Ta = 25°C, when mounted on board	M81049P	1.79	W
			M81049SP	1.47	
			M81049FP	1.10	
T _{opr}	Operating temperature		-40 ~ +85	°C	
T _{stg}	Storage temperature		-55 ~ +125	°C	

RECOMMENDED OPERATING CONDITIONS (Unless otherwise noted, Ta = -40 ~ +85°C)

Symbol	Parameter	Conditions	Limits			Unit	
			min	typ	max		
V _{DD}	Supply voltage		4.5	5.0	5.5	V	
V _{DS}	Drain-to-source voltage		0	—	40	V	
V _{IH}	"H" input voltage		0.7V _{DD}	—	V _{DD}	V	
V _{IL}	"L" input voltage		0	—	0.3V _{DD}	V	
I _{DS}	Drain output current (Current per 1 circuit when 8 circuits are coming on simultaneously)	P	Duty Cycle no more than 48%	0	—	200	mA
			Duty Cycle no more than 100%	0	—	140	
		SP	Duty Cycle no more than 40%	0	—	200	
			Duty Cycle no more than 100%	0	—	125	
		FP	Duty Cycle no more than 33%	0	—	200	
			Duty Cycle no more than 100%	0	—	115	
V _{IN}	Input voltage		0	—	V _{DD}	V	
t _r , t _f	Rise time, Fall time, drain output	V _{DD} = 4.5V	0	—	500	ns	
t _{su}	Setup time before CLK ↑	V _{DD} = 4.5V	20	—	—	ns	
t _h	Hold time, data after CLK ↑	V _{DD} = 4.5V	5	—	—	ns	
t _w	Pulse duration	V _{DD} = 4.5V	40	—	—	ns	
f	Clock frequency	V _{DD} = 4.5V	—	—	20	MHz	

M81049P/SP/FP

OCTAL D-TYPE FLIP-FLOP DRIVER WITH CLEAR

ELECTRICAL CHARACTERISTICS (Unless otherwise noted, $V_{DD} = 5V$, $T_a = 25^\circ C$)

Symbol	Parameter	Test conditions	Limits			Unit
			min	typ	max	
$V_{(BR)DSX}$	Drain-source breakdown voltage	$I_{DS} = 1mA$	40	—	—	V
I_{DSX}	Drain-source leakage current	$V_{DS} = 40V$	—	0.002	5	μA
I_{IH}	"H" input current	$V_{DD} = 5.5V, V_i = 5.5V$	—	0.005	1	μA
I_{IL}	"L" input current	$V_{DD} = 5.5V, V_i = 0V$	—	0.005	-1	μA
I_{CC}	Supply current	$V_{DD} = 5.5V$	—	0.005	5	μA
		$V_i = 5.5V$ or $0V$				
V_{DS}	"L" output voltage	$I_{DS} = 100mA, V_{DD} = 4.5V$	—	0.29	0.44	V
		$I_{DS} = 200mA, V_{DD} = 4.5V$	—	0.59	0.88	
$R_{DS(on)}$	Drain-source on-state resistance	$I_{DS} = 100mA, V_{DD} = 4.5V$	—	2.9	4.4	Ω

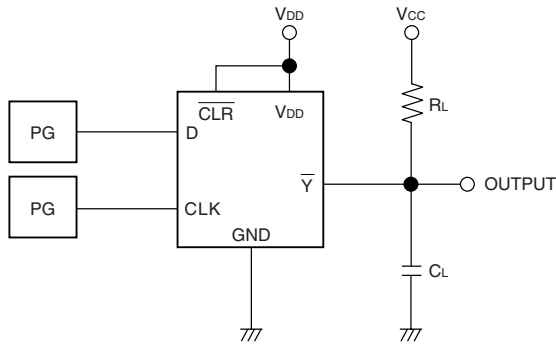
SWITCHING CHARACTERISTICS ($V_{DD} = 5V$, $T_a = 25^\circ C$)

Symbol	Parameter	Test conditions	Limits			Unit
			min	typ	max	
t_{TLH}	Low-level to high-level and high-level to low-level output transition time	$C_L = 30pF$ (Note 1)	—	11	—	ns
t_{THL}			—	3	—	ns
t_{PLH}	Low-level to high-level and high-level to low-level output propagation time (CLK- \bar{Y})		—	32	—	ns
t_{PHL}			—	26	—	ns
$t_{PLH(R)}$	Low-level to high-level output propagation time (CLR- \bar{Y})		—	32	—	ns

M81049P/SP/FP

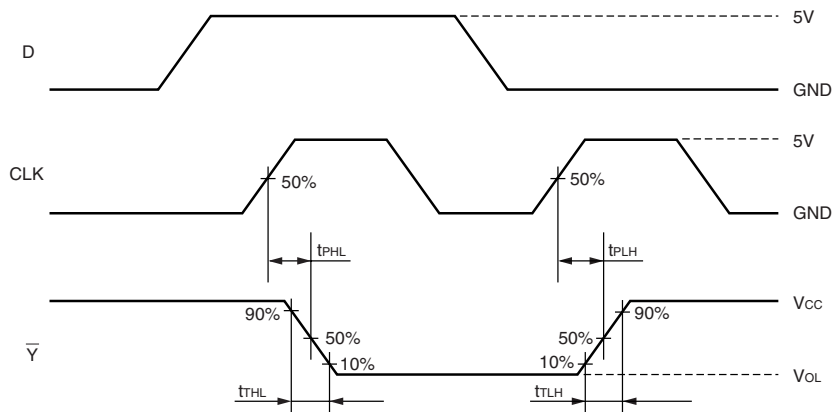
OCTAL D-TYPE FLIP-FLOP DRIVER WITH CLEAR

NOTE 1 TEST CIRCUIT

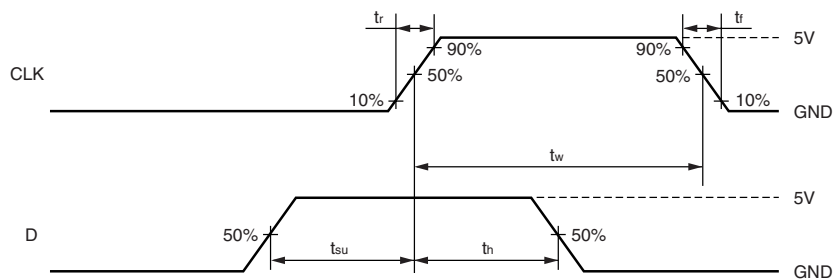


- (1) Pulse generator (PG) characteristics : PRR = 1MHz, Duty Cycle = 50%, $t_r = 6ns$, $t_f = 6ns$, $Z_o = 50\Omega$, $V_i = 5V$
- (2) Output conditions : $R_L = 240\Omega$, $V_{CC} = 24V$, $V_{DD} = 5V$
- (3) Electrostatic capacity C_L includes floating capacitance at connections and input capacitance at probes.

TIMING DIAGRAM



SWITCHING TIMES

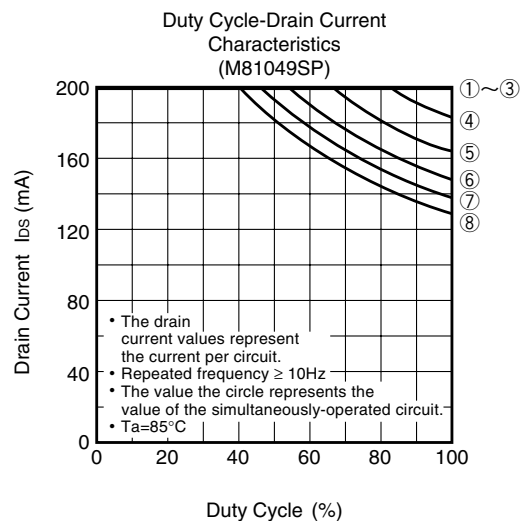
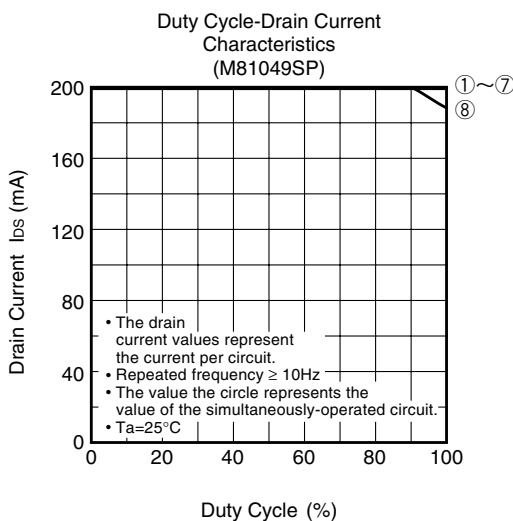
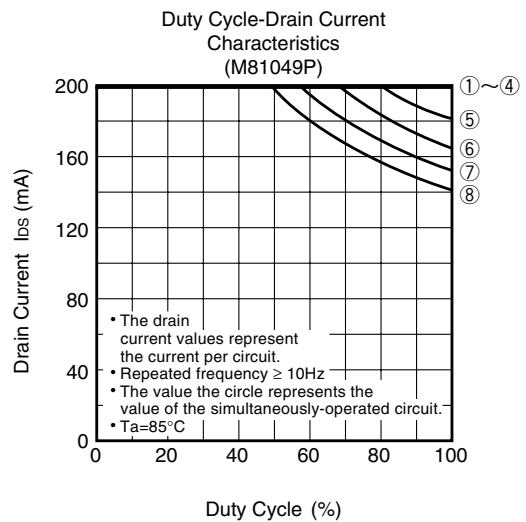
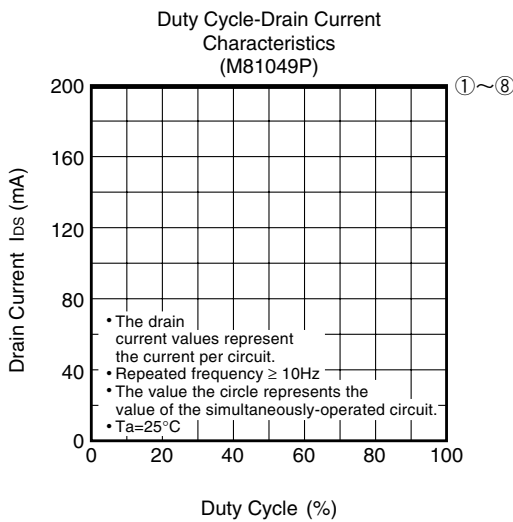
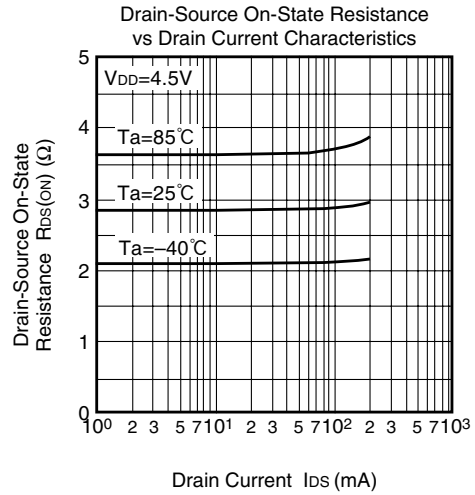
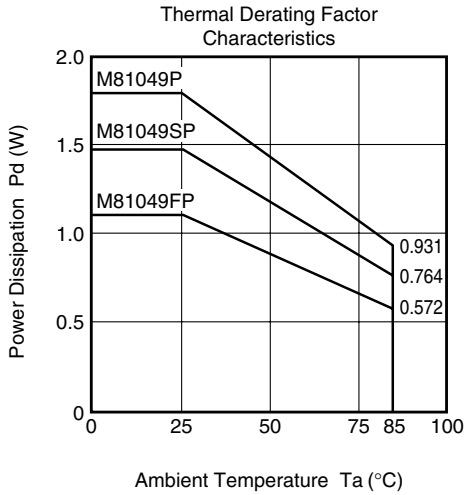


INPUT SETUP AND HOLD WAVEFORMS

M81049P/SP/FP

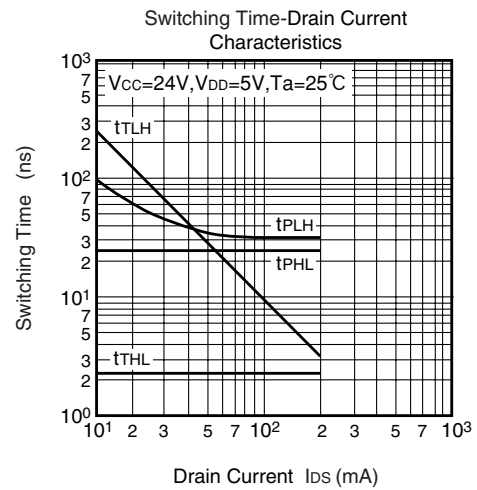
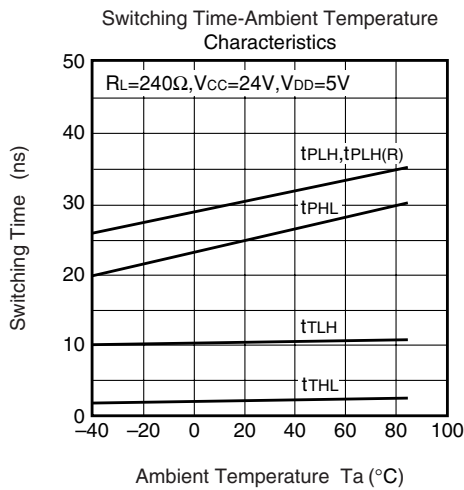
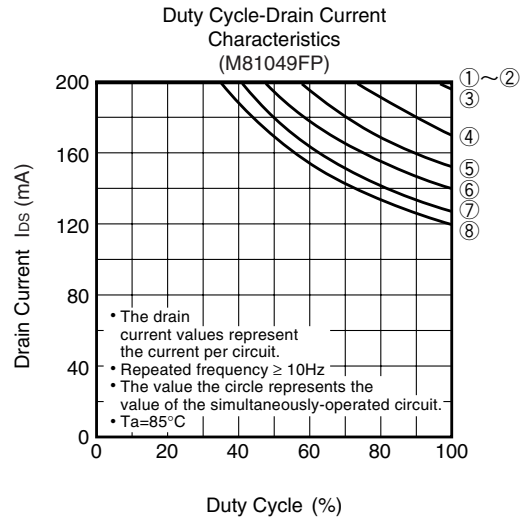
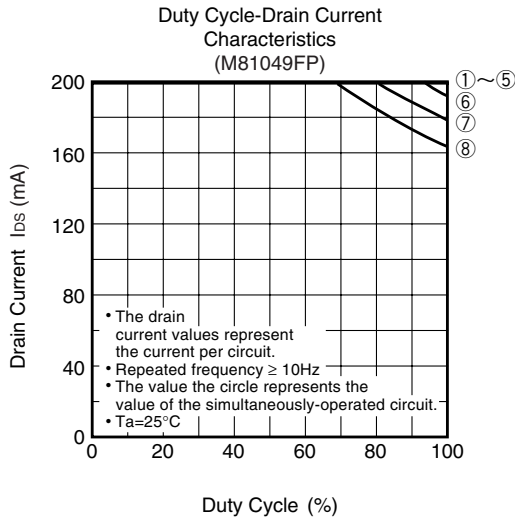
OCTAL D-TYPE FLIP-FLOP DRIVER WITH CLEAR

TYPICAL CHARACTERISTICS



M81049P/SP/FP

OCTAL D-TYPE FLIP-FLOP DRIVER WITH CLEAR

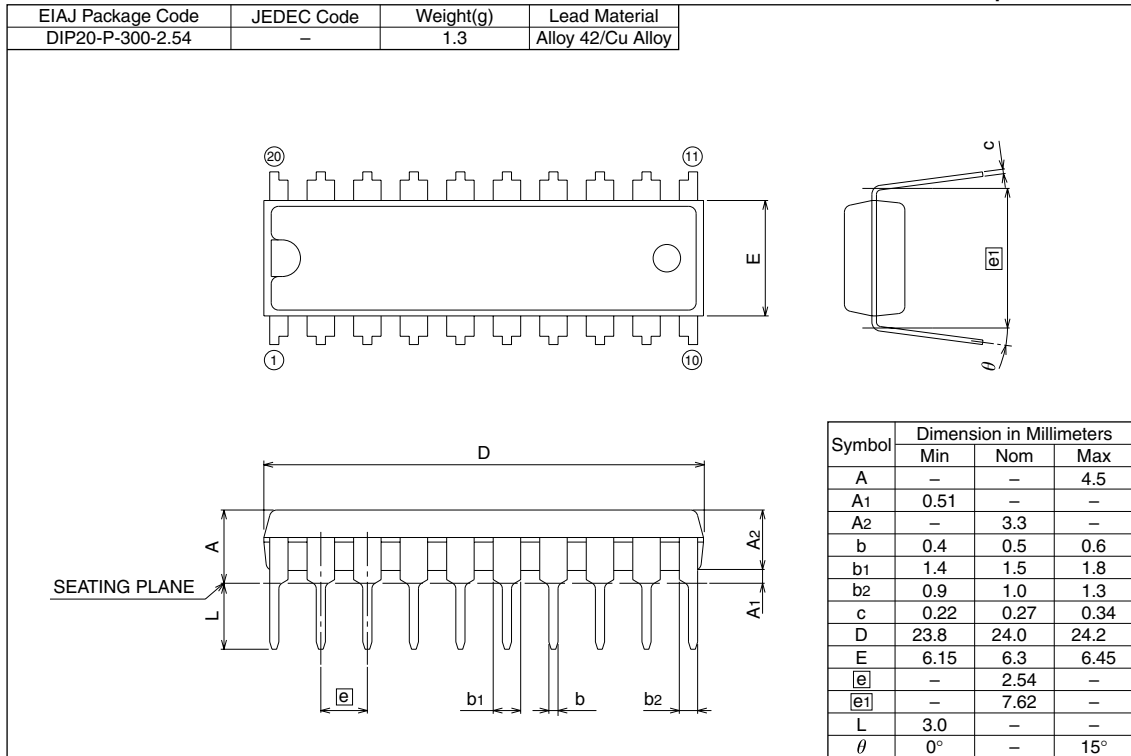


M81049P/SP/FP

OCTAL D-TYPE FLIP-FLOP DRIVER WITH CLEAR

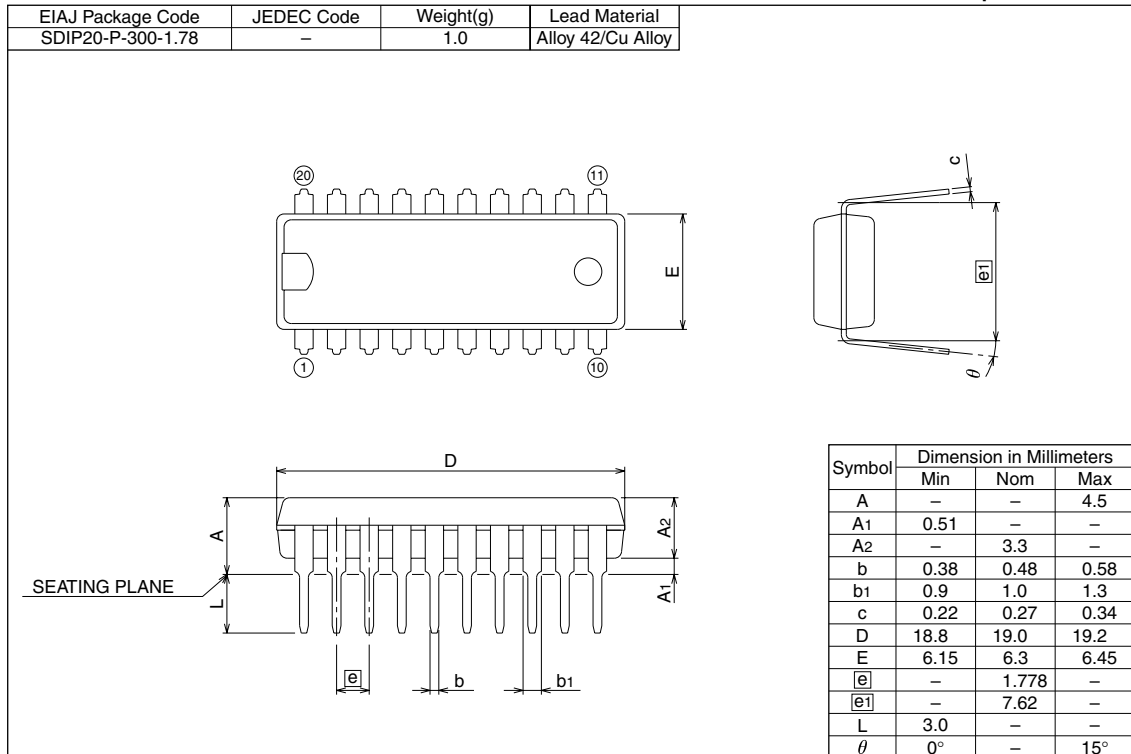
20P4

Plastic 20pin 300mil DIP



20P4B

Plastic 20pin 300mil SDIP



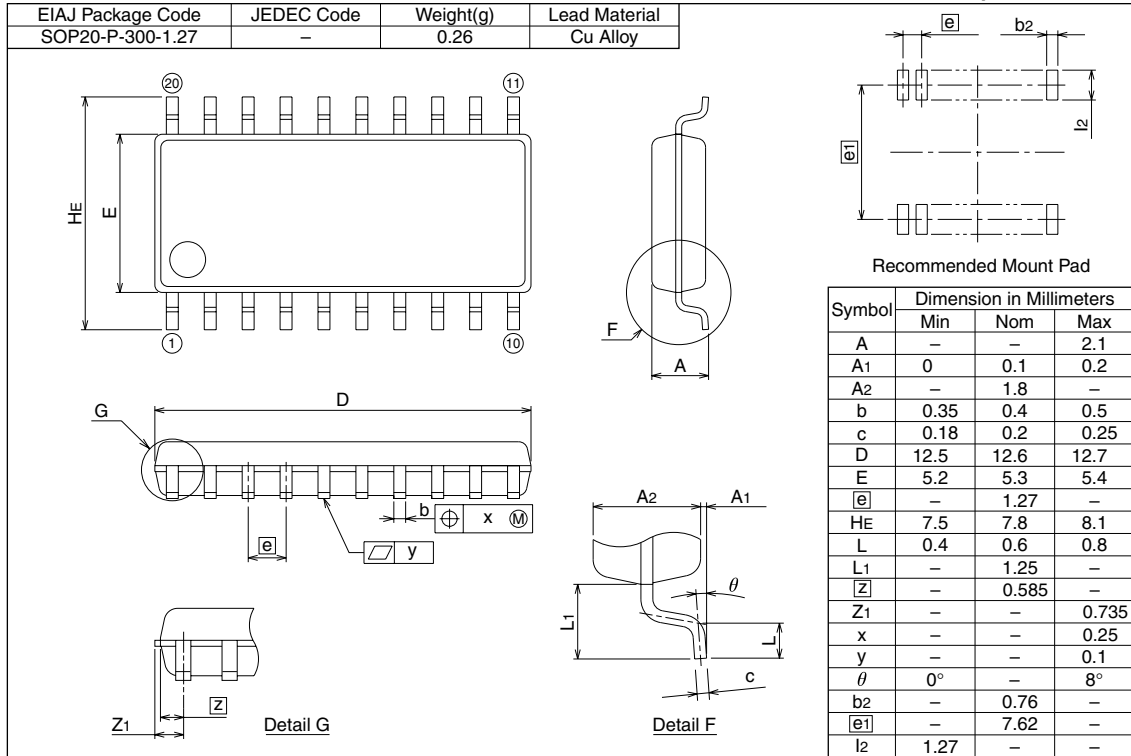
M81049P/SP/FP

OCTAL D-TYPE FLIP-FLOP DRIVER WITH CLEAR

20P2N-A

EIAJ Package Code	JEDEC Code	Weight(g)	Lead Material
SOP20-P-300-1.27	-	0.26	Cu Alloy

Plastic 20pin 300mil SOP



Recommended Mount Pad

Symbol	Dimension in Millimeters		
	Min	Nom	Max
A	-	-	2.1
A1	0	0.1	0.2
A2	-	1.8	-
b	0.35	0.4	0.5
c	0.18	0.2	0.25
D	12.5	12.6	12.7
E	5.2	5.3	5.4
e	-	1.27	-
HE	7.5	7.8	8.1
L	0.4	0.6	0.8
L1	-	1.25	-
Z	-	0.585	-
Z1	-	-	0.735
x	-	-	0.25
y	-	-	0.1
θ	0°	-	8°
b2	-	0.76	-
e1	-	7.62	-
l2	1.27	-	-