

M81016P/FP/KP

OCTAL D-TYPE FLIP-FLOP DRIVER WITH CLEAR

DESCRIPTION

M81016 is octal D-type flip-flop driver by 20-pin package. It has 8 same circuit units which is composed of D-type flip-flop logic circuit and high voltage NchMOS output transistor. M81016 has a common direct clear input and a common clock input.

FEATURES

- Lineup with three packages
- High breakdown voltage ($BV_{DSX} \geq 40V$)
- Drain output current ($I_{DS(max)} = 200mA$)
- With input protection diodes
- Pin assignment of input-output flow through
- Wide operating temperature range ($T_a = -40$ to $+85^\circ C$)

APPLICATION

LED drive

FUNCTION

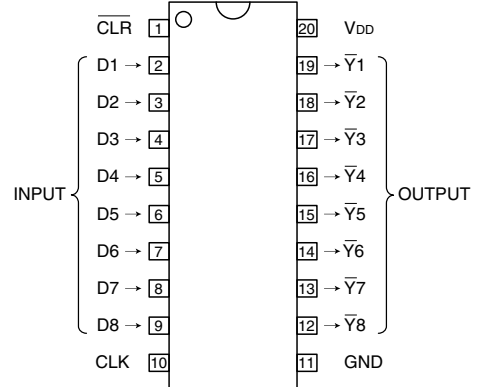
The common direct clear input and common clock input are connected to every circuit unit by the same way. Signal at the D inputs is transferred to \bar{Y} outputs by D-type flip-flops on the positive-going edge of the clock pulse.

If \overline{CLR} is set to "L", outputs $\bar{Y}1$ - $\bar{Y}8$ will be altogether set to "H" regardless of D1-D8 and CLK.

The maximum drain current of an output is 200mA. The maximum between drain-source is 40V.

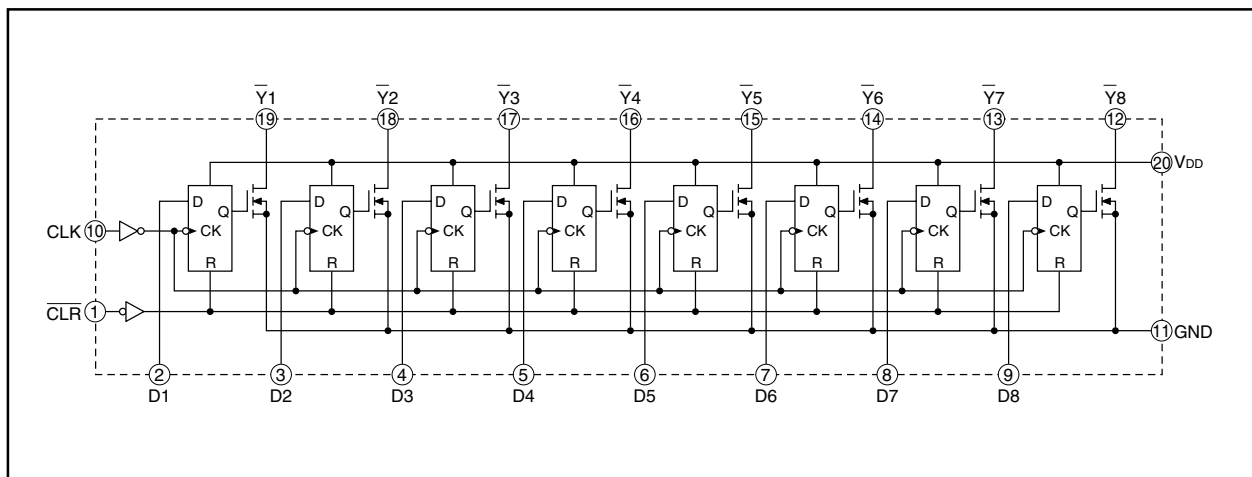
Moreover, M81016FP/KP can save space with mini-flat package.

PIN CONFIGURATION (TOP VIEW)



Package type 20P4B(P)
20P2N-A(FP)
20P2E-A(KP)

LOGIC DIAGRAM (POSITIVE LOGIC)



M81016P/FP/KP

OCTAL D-TYPE FLIP-FLOP DRIVER WITH CLEAR

FUNCTION TABLE (EACH CHANNEL)

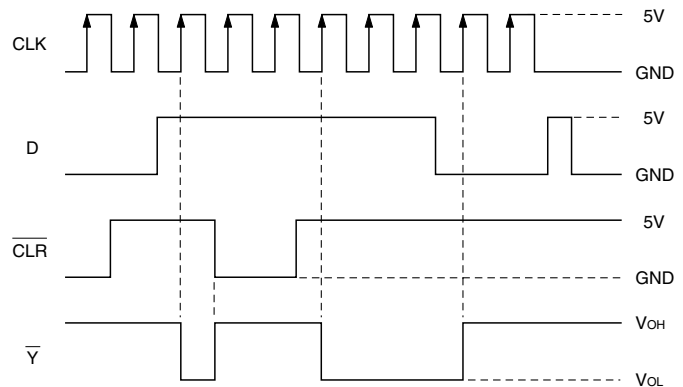
| INPUT | | | OUTPUT : \bar{Y} |
|-------------------------|--------------|---|--------------------|
| $\overline{\text{CLR}}$ | CLK | D | |
| L | X | X | H |
| H | \uparrow | L | H |
| H | \uparrow | H | L |
| H | L | X | Latched |
| H | \downarrow | X | Latched |

H : High level

L : Low level

X : Irrelevant

TIMING DIAGRAM



ABSOLUTE MAXIMUM RATINGS (Unless otherwise noted, $T_a = -40 \sim +85^\circ\text{C}$)

| Symbol | Parameter | Conditions | Ratings | Unit | |
|-----------|-------------------------|---|--------------------|------------------|---|
| V_{DD} | Supply voltage | | 7 | V | |
| V_{DS} | Drain-to-source voltage | Output, H | $-0.5 \sim +40$ | V | |
| V_I | Input voltage | | $-0.5 \sim V_{DD}$ | V | |
| I_{DS} | Drain output current | Current per circuit output, L | 200 | mA | |
| P_d | Power dissipation | $T_a = 25^\circ\text{C}$, when mounted on board | M81016P | 1.47 | W |
| | | | M81016FP | 1.10 | |
| | | | M81016KP | 0.68 | |
| T_{opr} | Operating temperature | | $-40 \sim +85$ | $^\circ\text{C}$ | |
| T_{stg} | Storage temperature | | $-55 \sim +125$ | $^\circ\text{C}$ | |

RECOMMENDED OPERATING CONDITIONS (Unless otherwise noted, $T_a = -40 \sim +85^\circ\text{C}$)

| Symbol | Parameter | Conditions | Limits | | | Unit | |
|------------|---|------------------------|------------------------------|-----|-------------|------|----|
| | | | min | typ | max | | |
| V_{DD} | Supply voltage | | 4.5 | 5.0 | 5.5 | V | |
| V_{DS} | Drain-to-source voltage | | 0 | — | 40 | V | |
| V_{IH} | "H" input voltage | | $0.7V_{DD}$ | — | V_{DD} | V | |
| V_{IL} | "L" input voltage | | 0 | — | $0.3V_{DD}$ | V | |
| I_{DS} | Drain output current (Current per 1 circuit when 8 circuits are coming on simultaneously) | P | Duty Cycle no more than 45% | 0 | — | 200 | mA |
| | | | Duty Cycle no more than 100% | 0 | — | 135 | |
| | | FP | Duty Cycle no more than 34% | 0 | — | 200 | |
| | | | Duty Cycle no more than 100% | 0 | — | 120 | |
| | | KP | Duty Cycle no more than 18% | 0 | — | 200 | |
| | | | Duty Cycle no more than 100% | 0 | — | 95 | |
| V_{IN} | Input voltage | | 0 | — | V_{DD} | V | |
| t_r, t_f | Rise time, Fall time, drain output | $V_{DD} = 4.5\text{V}$ | 0 | — | 500 | ns | |
| t_{su} | Setup time before CLK \uparrow | $V_{DD} = 4.5\text{V}$ | 20 | — | — | ns | |
| t_h | Hold time, data after CLK \uparrow | $V_{DD} = 4.5\text{V}$ | 5 | — | — | ns | |
| t_w | Pulse duration | $V_{DD} = 4.5\text{V}$ | 40 | — | — | ns | |
| f | Clock frequency | $V_{DD} = 4.5\text{V}$ | — | — | 20 | MHz | |

M81016P/FP/KP

OCTAL D-TYPE FLIP-FLOP DRIVER WITH CLEAR

ELECTRICAL CHARACTERISTICS (Unless otherwise noted, $V_{DD} = 5V$, $T_a = 25^\circ C$)

| Symbol | Parameter | Test conditions | Limits | | | Unit | |
|---------------|----------------------------------|---|-----------------|-------|-------|----------|---------|
| | | | min | typ | max | | |
| $V_{(BR)DSX}$ | Drain-source breakdown voltage | $I_{DS} = 1mA$ | 40 | — | — | V | |
| I_{DSX} | Drain-source leakage current | $V_{DS} = 40V$ | — | 0.002 | 5 | μA | |
| I_{IH} | "H" input current | $V_{DD} = 5.5V, V_i = 5.5V$ | — | 0.005 | 1 | μA | |
| I_{IL} | "L" input current | $V_{DD} = 5.5V, V_i = 0V$ | — | 0.005 | -1 | μA | |
| I_{CC} | Supply current | $V_{DD} = 5.5V$ $V_i = 5.5V$ or $0V$ | All outputs off | — | 0.005 | 5 | μA |
| | | | All outputs on | — | 0.005 | 5 | |
| V_{DS} | "L" output voltage | $I_{DS} = 100mA, V_{DD} = 4.5V$ | — | 0.25 | 0.38 | V | |
| | | $I_{DS} = 200mA, V_{DD} = 4.5V$ | — | 0.51 | 0.77 | | |
| $R_{DS(on)}$ | Drain-source on-state resistance | $I_{DS} = 100mA, V_{DD} = 4.5V$ | — | 2.5 | 3.8 | Ω | |

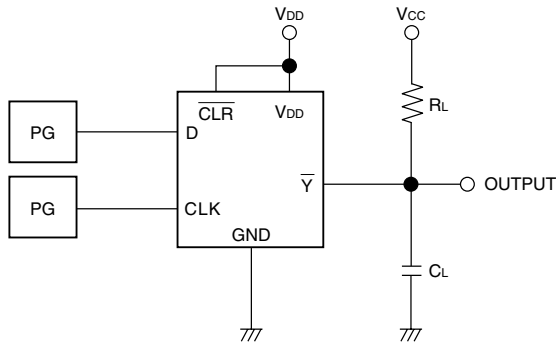
SWITCHING CHARACTERISTICS ($V_{DD} = 5V$, $T_a = 25^\circ C$)

| Symbol | Parameter | Test conditions | Limits | | | Unit |
|--------------|---|-----------------------|--------|-----|-----|------|
| | | | min | typ | max | |
| t_{TLH} | Low-level to high-level and high-level to low-level output transition time | $C_L = 30pF$ (Note 1) | — | 10 | — | ns |
| t_{THL} | | | — | 3 | — | ns |
| t_{PLH} | Low-level to high-level and high-level to low-level output propagation time (CLK) | | — | 35 | — | ns |
| t_{PHL} | | | — | 30 | — | ns |
| $t_{PLH(R)}$ | Low-level to high-level output propagation time (CLR) | | — | 35 | — | ns |

M81016P/FP/KP

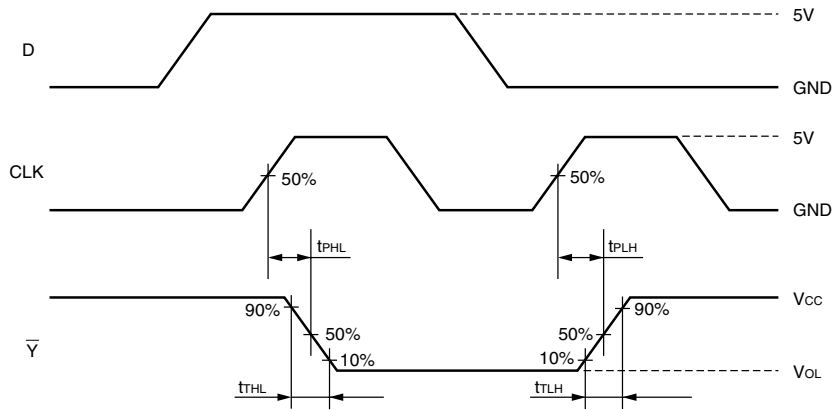
OCTAL D-TYPE FLIP-FLOP DRIVER WITH CLEAR

NOTE 1 TEST CIRCUIT

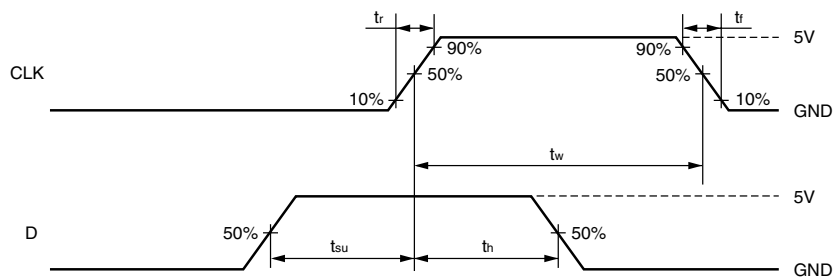


- (1) Pulse generator (PG) characteristics : PRR = 1MHz, Duty Cycle = 50%, $t_r = 6ns$, $t_f = 6ns$, $Z_o = 50\Omega$, $V_i = 5V$
- (2) Output conditions : $R_L = 240\Omega$, $V_{CC} = 24V$, $V_{DD} = 5V$
- (3) Electrostatic capacity C_L includes floating capacitance at connections and input capacitance at probes.

TIMING DIAGRAM



SWITCHING TIMES

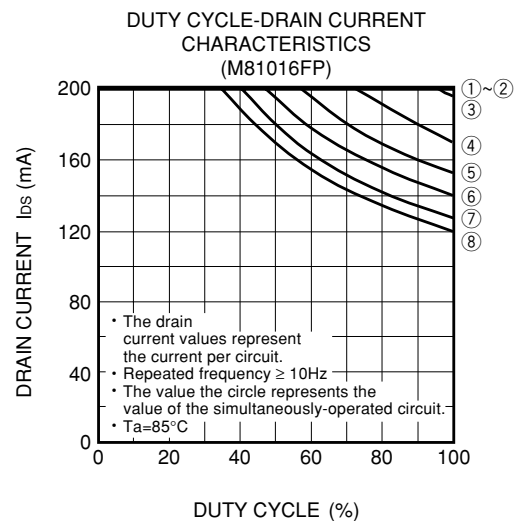
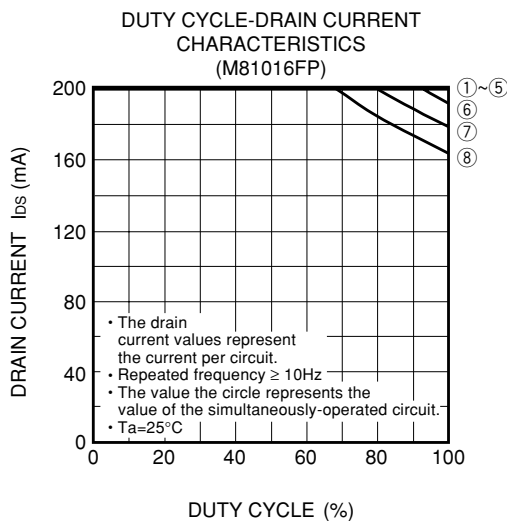
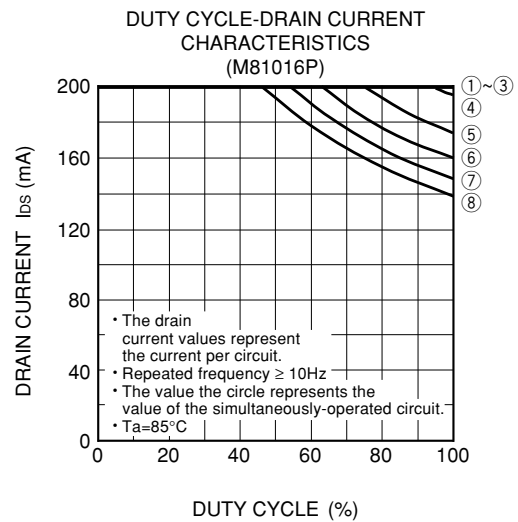
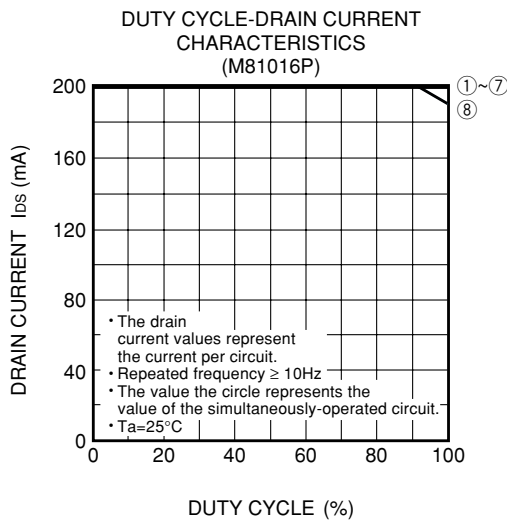
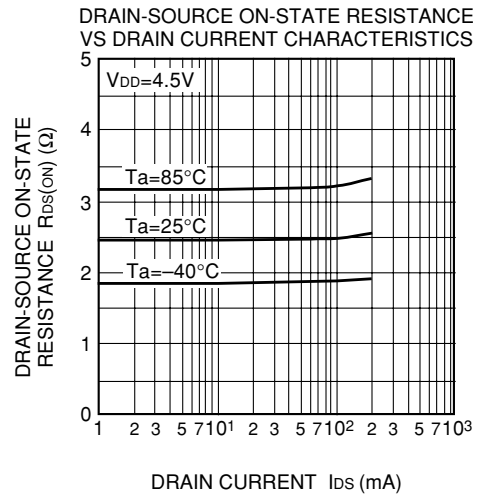
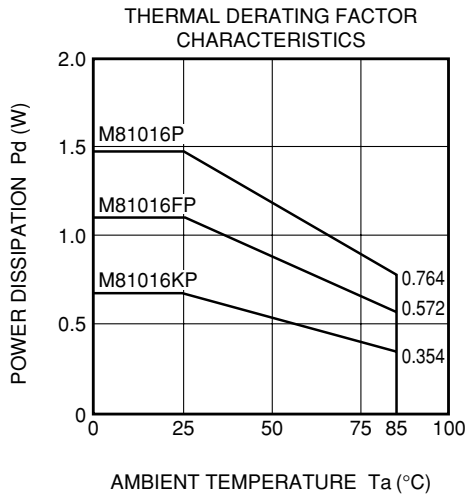


INPUT SETUP AND HOLD WAVEFORMS

M81016P/FP/KP

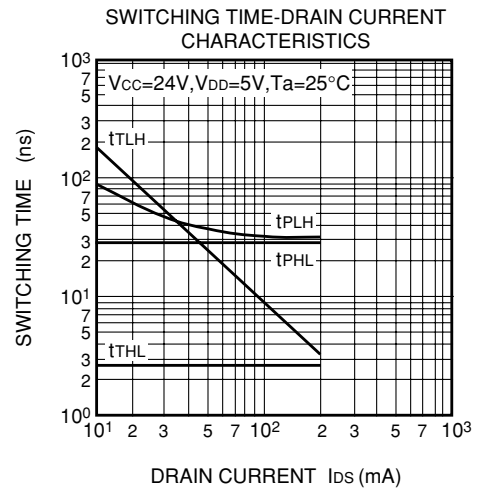
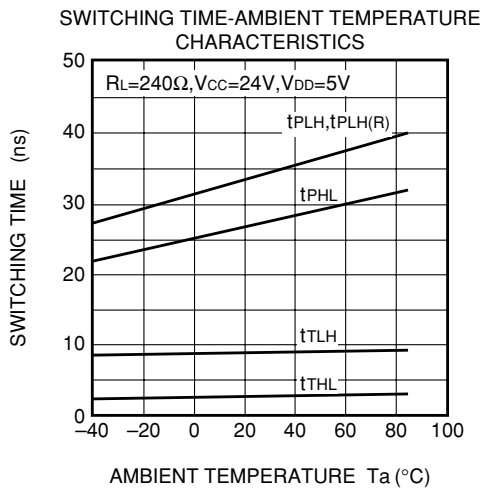
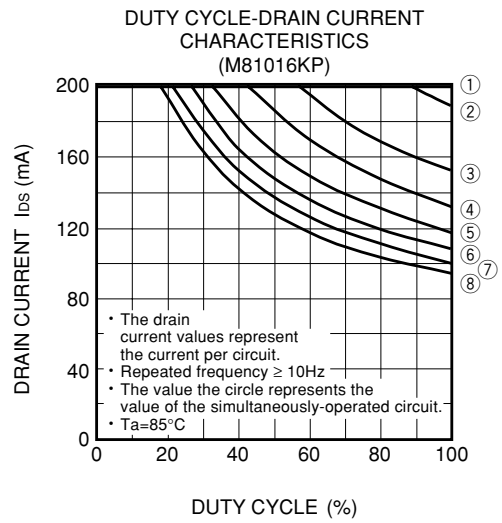
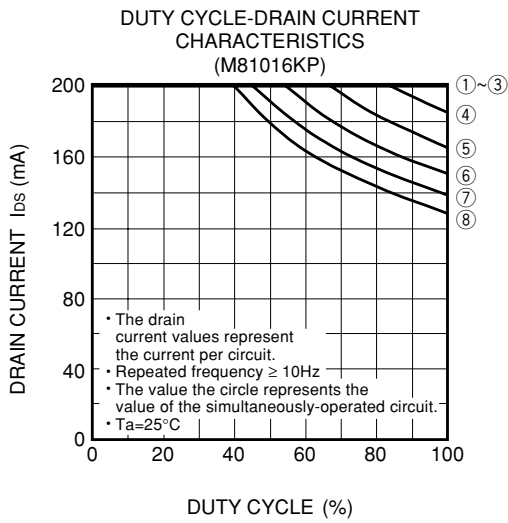
OCTAL D-TYPE FLIP-FLOP DRIVER WITH CLEAR

TYPICAL CHARACTERISTICS



M81016P/FP/KP

OCTAL D-TYPE FLIP-FLOP DRIVER WITH CLEAR

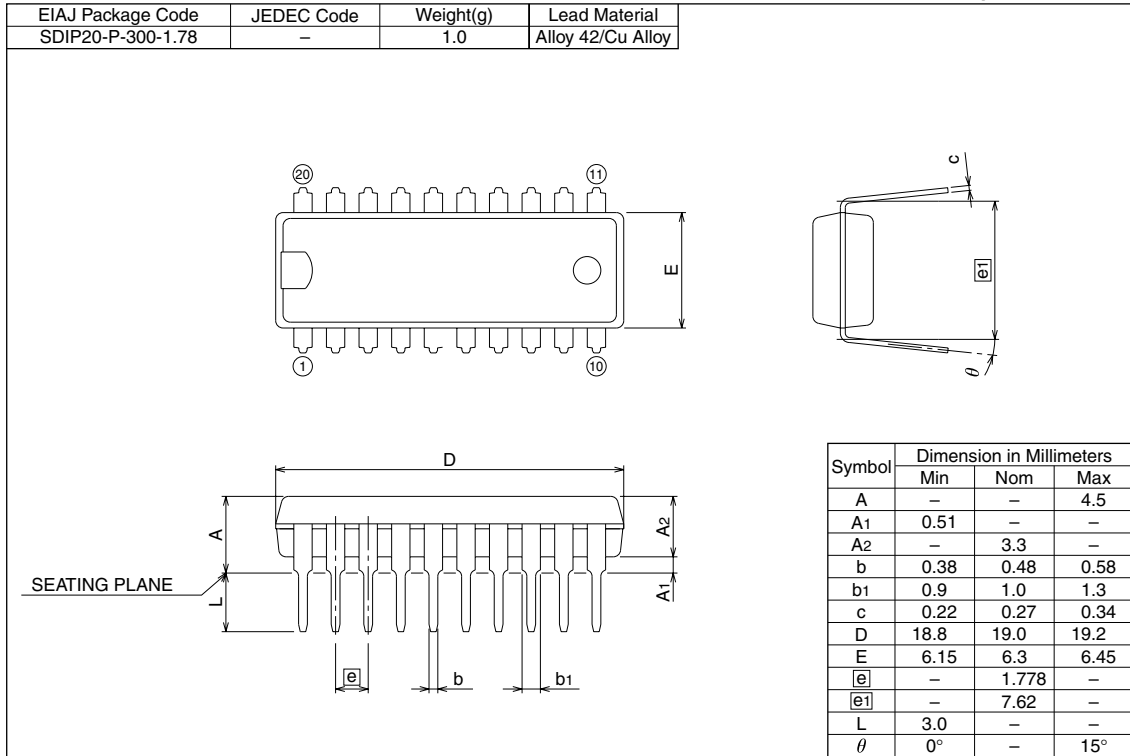


M81016P/FP/KP

OCTAL D-TYPE FLIP-FLOP DRIVER WITH CLEAR

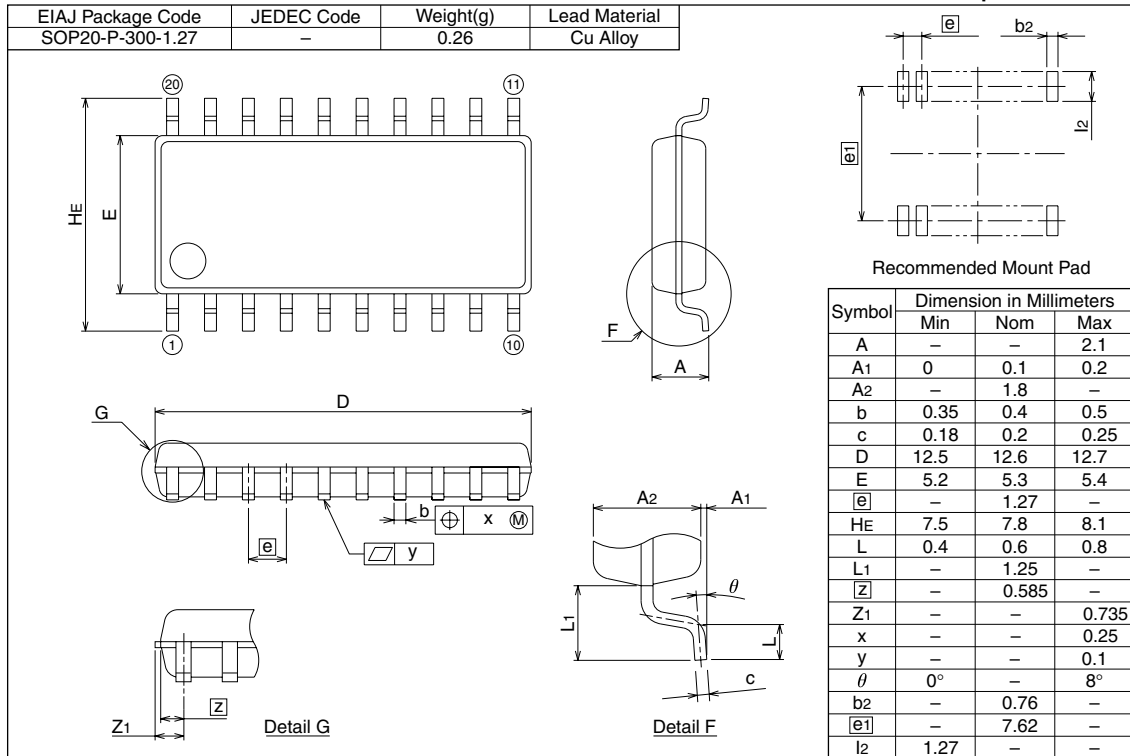
20P4B

Plastic 20pin 300mil SDIP



20P2N-A

Plastic 20pin 300mil SOP



M81016P/FP/KP

OCTAL D-TYPE FLIP-FLOP DRIVER WITH CLEAR

20P2E-A

| | | | |
|-------------------|------------|-----------|---------------|
| EIAJ Package Code | JEDEC Code | Weight(g) | Lead Material |
| SSOP20-P-225-0.65 | - | 0.08 | Alloy 42 |

Plastic 20pin 225mil SSOP

