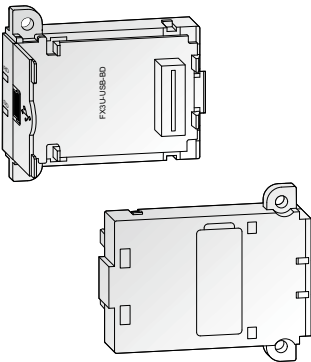


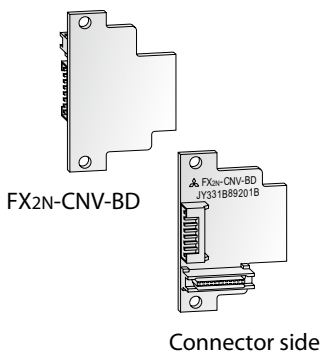
■ Adapter Boards



Adapter Board FX3U-USB-BD

This adapter board allows direct USB 2.0 connection to the front of the FX3U PLC for program maintenance.

Specifications	FX3U-USB-BD
Applicable for	Base units FX3U
Power supply	5 V DC (from base unit)
Weight	kg 0.02
Dimensions (W x H x D)	mm 19.6 x 46.1 x 53.5



Communications Adapters FX1N-CNV-BD, FX2N-CNV-BD, FX3U-CNV-BD

The FX□N-CNV-BD adapters enable connection of the FX□□-□□□ADP special function modules to the left-hand side of the FX□□ base units.

Specifications	FX1N-CNV-BD	FX2N-CNV-BD	FX3U-CNV-BD
Applicable for	Base units FX1S/FX1N	Base units FX2N	Base units FX3U
Weight	kg 0.01	0.01	0.01
Dimensions (W x H)	mm 43 x 38 x (D) 14	54 x 35	19.6 x 46.1 x 53.5

4

SPECIAL FUNCTION MODULES

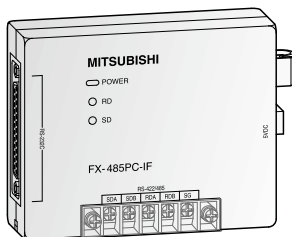
■ Interface Unit

- FX1S
- FX1N
- FX2N
- FX2NC
- FX3U

Interface Unit for RS485 1:n Multidrop Network FX-485PC-IF

The interface unit FX-485PC-IF is used for converting interface signals.

The interface unit has an RS232C interface for connection to a PC and RS485 ports for connection to the 1:n multidrop network.



Specifications	FX-485PC-IF
Current consumption	mA 260
Power supply	5 V DC ±5%
Interface	RS232 / RS485
Weight	kg 0.4
Dimensions (W x H x D)	mm 100 x 80 x 30