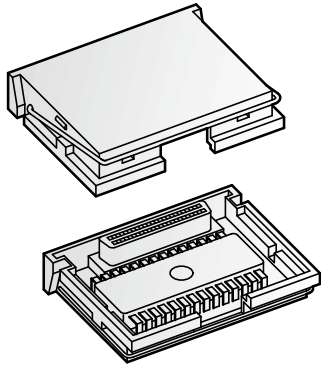
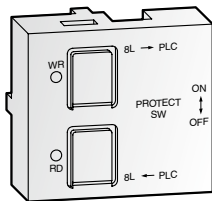


Memory Media



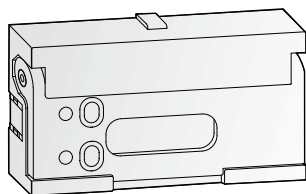
FX-EPROM-8



FX1N-EEPROM-8L



FX2NC-EEPROM-16



FX3U-FLROM-64L

Memory Cassettes

All FX1S, FX1N and FX2N base units are equipped with a slot for the optional, robust FX memory cassettes.

By connection of these memory cassettes, the internal memory of the controller is switched off and only the program specified in the respective memory cassette is run.

The memory size can be extended for all FX2N controllers up to 16,000 steps with the memory cassette FX-RAM-8.

The FX2N-ROM-E1 memory module simplifies the direct communication between the FX2N and the Mitsubishi Electric frequency inverters of the series FR-S500, FR-E500 and FR-A500.

The FX2N-ROM-E1 technically corresponds to the FX-EEPROM-16.

Specifications	FX-RAM-8	FX-EPROM-8	FX-EEPROM-4
Applicable for	Base units FX2N	Base units FX2N	Base units FX2N
Memory type	RAM	EPROM	EEPROM
Size	8,000/16,000 steps	8,000/16,000 steps	4,000 steps
Protect switch	Not provided	Not provided	Provided

Specifications	FX-EEPROM-8	FX1N-EEPROM-8L	FX-EEPROM-16	FX2N-ROM-E1
Applicable for	Base units FX2N	Base units FX1S/FX1N	Base units FX2N	Base units FX2N
Memory type	EEPROM	EEPROM	EEPROM	EPROM
Size	8,000 steps	2,000/8,000 steps	16,000 steps	16,000 steps
Protect switch	Provided	Provided	Provided	Provided
Data transfer buttons	Not provided	Provided	Not provided	Not provided

Memory and Real-time Clock Cassette

All the FX2NC base units have a slot for adding a memory and real-time clock cassettes. The FX2NC-ROM-CE1 module contains both EEPROM memory and a real-time clock. The FX2NC-EEPROM-16 provides only memory, without the clock feature, while the FX2NC-RTC is a real-time clock cassette for the FX2NC PLCs without any additional memory.

Specifications	FX2NC-ROM-CE1	FX2NC-EEPROM-16	FX2NC-EEPROM-16C	FX2NC-EEPROM-4C	FX2NC-RTC
Applicable for	Base units FX2NC	Base units FX2NC	Base units FX2NC	Base units FX2NC	Base units FX2NC
Memory type	EEPROM + RTC	EEPROM	EEPROM + RTC	EEPROM + RTC	RTC (real time clock)
Size	16,000 steps	16,000 steps	16,000 steps	4,000 steps	—
Protect switch	Provided	Provided	Provided	Provided	Not provided

FX3U-FLROM-16, FX3U-FLROM-64, FX3U-FLROM-64L

The memory cassette can be installed at the main unit, and when installed, the memory cassette's internal program is used in place of the internal RAM memory.

The FX3U-FLROM-64L features additional data transfer buttons.

Specifications	FX3U-FLROM-16	FX3U-FLROM-64	FX3U-FLROM-64L
Applicable for	Base units FX3U	Base units FX3U	Base units FX3U
Module type	Memory cassette	Memory cassette	Memory cassette
Number of steps	16,000	64,000	64,000
Memory type	Flash memory	Flash memory	Flash memory
Protect switch	Provided	Provided	Provided
Data transfer buttons	Not provided	Not provided	Provided
Dimensions (W x H x D)	mm 37 x 20 x 6.1	37 x 20 x 6.1	37 x 20 x 6.1